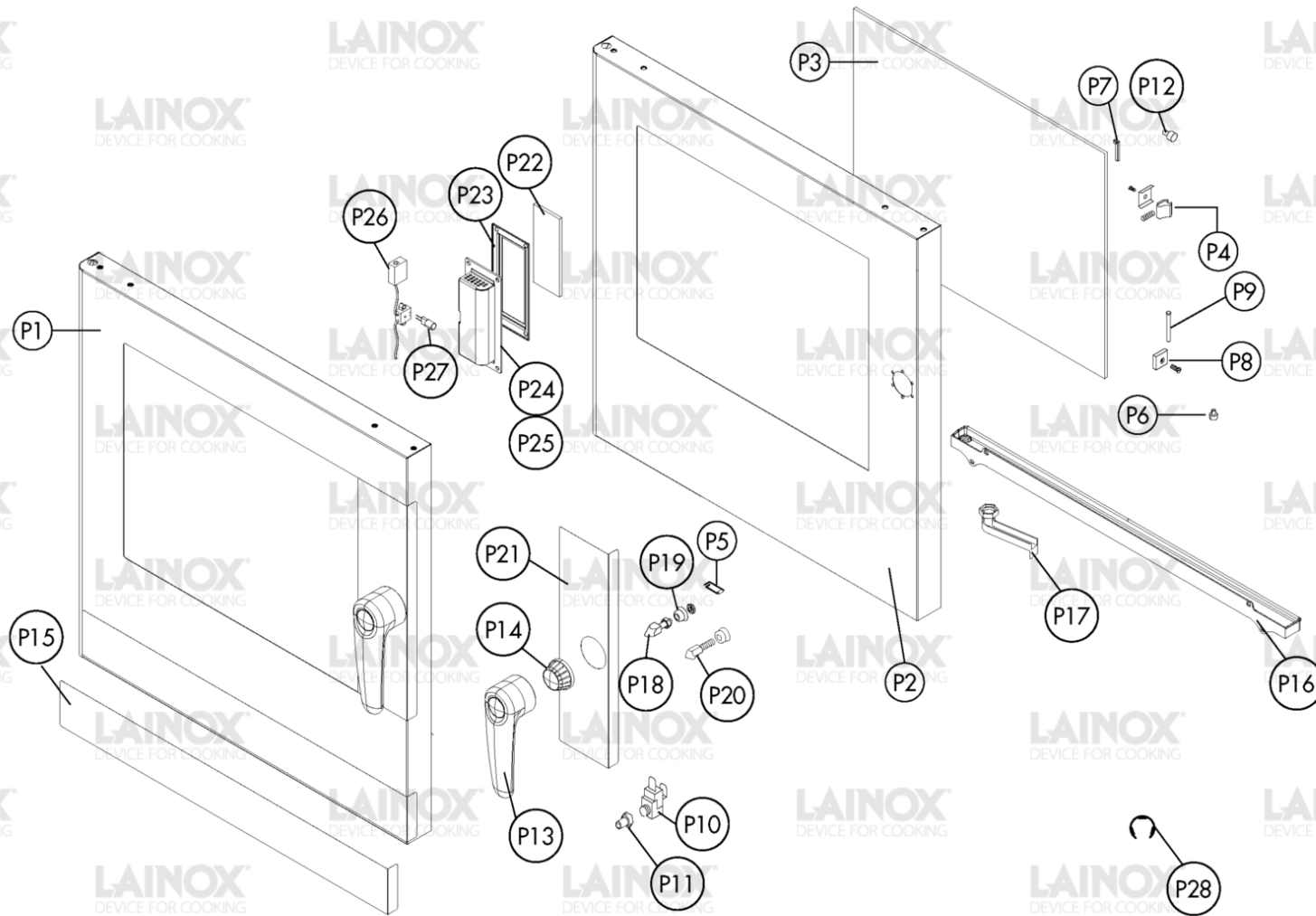


Warning! The exploded views refer to the general model

TAV.A

Pos.	Code	Previous code	Description	Notes	From:	To:
0001	LAR65041040		MOTOR [C] DOUBLE SPEED			
0002	LAR58005500		SEAT [C]			
0003	LA70020020	LAR70020020	GASKET [C] 8X22			
0004	LAR65011960		HEATING ELEMENT [C] 8000W 230V d. 8,5			
0004	LAR65011980		RESISTENZA 8000W208V D8.5 INC.CAM.K_061	UL Version 208V (USA-CAN)		
0004	LAR65011990		HEATING ELEMENT [C] 8000W277V D8.5 INC.CAM.K_061	UL Version 277V (USA-CAN 3AC 480V)		
0005	LA75400410		FAN [C] D. 180X77 50HZ	50Hz		
0005	LA75400430		FAN [C] D. 180X77 60HZ	60Hz		
0006	LA75300160	LAR75300160	PROTECTION GRID [C] FAN D. 180			
0007	LA14402130	LAR14402130	HINGE [C]			
0008	LA58000370	LAR58000370	PIN [C] UPPER HINGE			
0009	LA58004050	LAR58004050	NUT [C]			
0010	LA11207240	LAR11207240	LOWER HINGE KIT [C] M-V/061-101-102 2005			
0011	LA58002670	LAR58002670	LOWER PIN [C] HINGE SR 2005			
0012	LA58001850	LAR58001850	PIN [C] RACKS SUPPORT M5 MIXTER			
0013	LA70044340	LAR70044340	GASKET [C] DOOR A V-C 05			
0015	LA69180250	LAR69180250	FILTER [C] CONTAINER DRAIN			
0017	LA70060080		SILICONE COUPLING [C] D. 13X18X80			
0018	LA70010210	LAR70010210	GASKET [C] 18,72X2,62			
0019	LAR10201700		FILTER [C] D.76/44.5 M/106-11			
0020	LAR70030180		GRAPHITE GASKETS KIT [C] 80x50,3x3 SET 5 PIECES			
0021	LA58006160		NOZZLE [C] D. 0,80			
0022	LA62280028	LAR62280028	CURVE [C]			
0023	LAR65320220		PROBE [C] K L. 1,5M			
0024	LA62070023	LAR62070023	BICONE [C] D. 6			
0025	LA62060223	LAR62060223	NUT [C] D. 6			
0026	LA65090300	LAR65090300	ACTUATOR [C]			
0027	LA70050130	LAR70050130	GASKET [C] VENT PIPE D. 50			
0028	LA70060091	LAR70060090	SILICONE COUPLING [C] D. 24X30X40			
0029	LAR70030170		GRAPHITE GASKETS KIT [C] 76X40,3X3 SET 5 PIECES			
0030	LAR18204810		BOILER [C] KME061			
0031	LA65320010	LAR65320010	LEVEL PROBE [C]			
0032	LA65020280	LAR65020280	HEATING ELEMENT [C] 6000W 230V BOILER			
0033	LA70050140	LAR70050140	GASKET CAP BOILER			
0034	LA69150110	LAR69150110	CAP [C]			

Pos.	Code	Previous code	Description	Notes	From:	To:
0035	LA65110560		VALVE [C] 220V 3/4			
0036	LAR65110330		DOUBLE SOLENOID VALVE 2 WAYS 230V 50/60HZ OUT J.G. D.10			
0036	LAR65110770		ELECTRO VALVE [C] 230V 50/60HZ 2 WAYS OUT J.G. D.10 UL	UL Version (USA-CAN)		
0037	LA62090518	LAR62090518	CONNECTOR [C] END SIDE PIPE 10X1/4			
0038	LA65110580		FLOW REGULATOR [C] PINK 9LT/H			
0039	LAR65240010		FAIRLEAD [C]			
0039	SIR0101302		PRESSACAVO	UL Version (USA-CAN)		
0040	LA58006400	LAR58006400	SCREW [C]			
0041	LAR58004040		INOX NUT [C] 3/4X8 M/106-120			

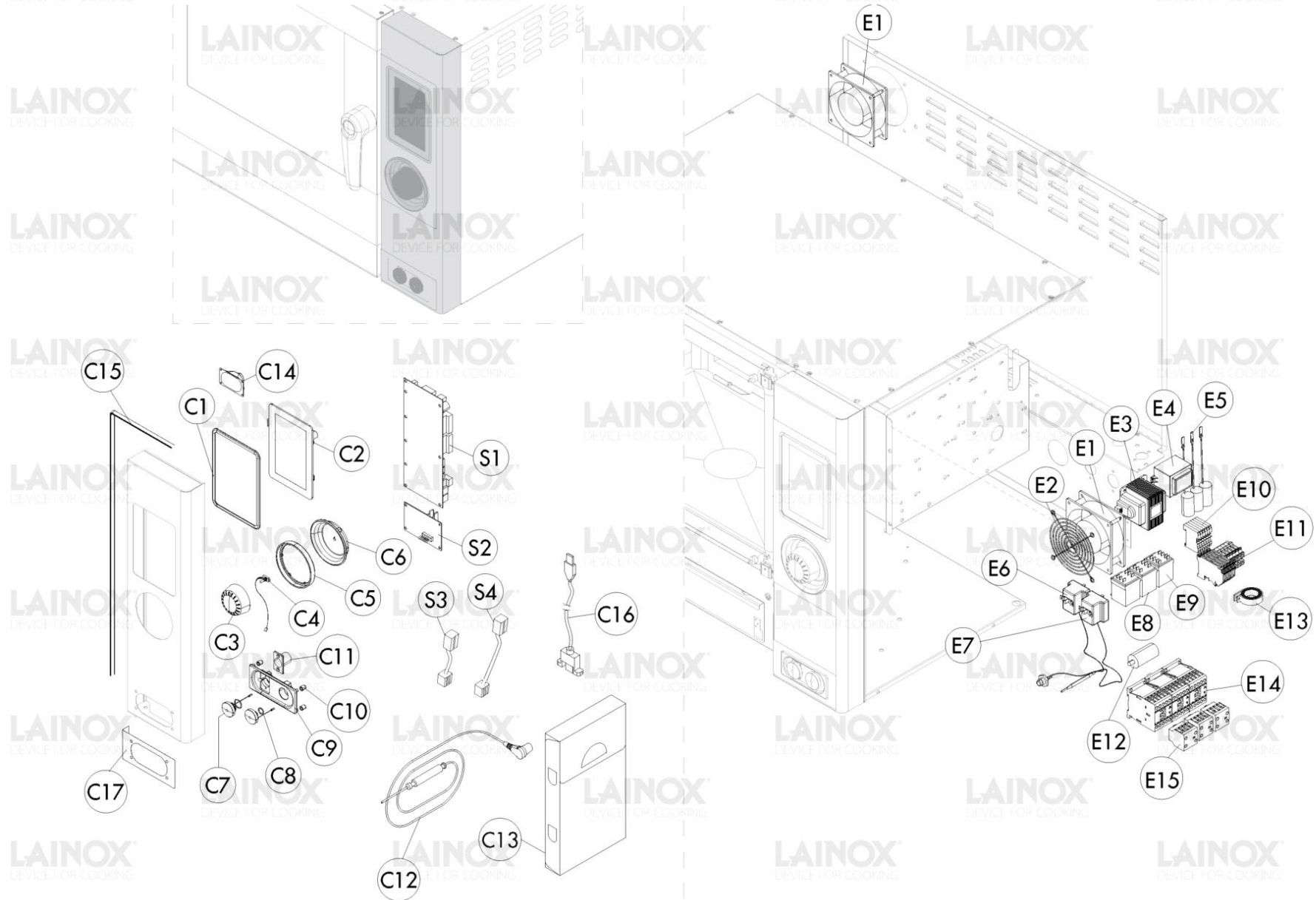


Warning! The exploded views refer to the general model

TAV.B

Pos.	Code	Previous code	Description	Notes	From:	To:
00P1	LAR18108900		DOOR [C] C_N061	HALOGEN		2/8/2019
00P1	LAR18111480		PORTA COMPLETA C_N061 LAINOX LED PORTA COMPLETA C_N061 LAINOX LED	LED	2/11/2019	
00P2	LAR18212500		OUTER DOOR [C] C_N061 LAINOX	HALOGEN/LED		
00P3	LAR71200930		GLASS PLATE [C]			
00P4	LAR17406230		GLASS BLOCK [C]		2/11/2019	
00P4	LAR58001780		CATCH [C] DOOR GLASS			2/8/2019
00P5	LA61620132	LAR61620132	SPRING [C] PRONG HOOK			
00P6	LA18404520	LAR18404520	SPACER [C] GLASS PROTECTION			
00P7	LA11425830	LAR11425830	PROTECTION [C] GLASS DOOR 1SIDE40+1SIDE 15			
00P8	LA58001760	LAR58001760	HINGE [C]			
00P9	LA58001770	LAR58001770	PIN [C] GLASS HINGE SR2000			
0P10	LAR65260540		MICROSWITCH [C] DOOR			
0P11	LA58001860	LAR58001860	PIN [C] RACKS SUPPORT			
0P12	LAR70050180		SPACER [C] GLASS PLATE 15X8			
0P13	LA69010190	LAR69010190	LOCK [C] 6303 N/S2014			
0P14	LAR69010630		COVERING [C] GROUP 6303 CLOSING			
0P15	LA67018141		RIVEST.PORTA COMPACT NABOO C_N061R LX			
0P16	LA69180400	LAR69180400	DOOR CONTAINER [C] C_061			
0P17	LA69180011		WATER DRAIN [C] CONTAINER			
0P18	LA69010260	LAR69010260	PRONG [C]			
0P18	LAR69010270		DOOR LATCH 2 STEP [C]			
0P19	LA70050160	LAR70050160	GASKET [C] COVER 6303			
0P21	LA67018120		DOOR COVER [C] C_061			
0P22	LA65270590		LED LAMP L=130MM 12V DC [C]	REPLACE P22-P23-P24- P25-P27	2/11/2019	
0P22	LA71500150		GLASS PLATE [C]			2/8/2019
0P23	LA65270590		LED LAMP L=130MM 12V DC [C]	REPLACE P22-P23-P24- P25-P27	2/11/2019	
0P23	LA70044200		GASKET [C] BULB GLASS P2000			2/8/2019
0P24	LA11401440		LAMP COVER [C]			2/8/2019
0P24	LA65270590		LED LAMP L=130MM 12V DC [C]	REPLACE P22-P23-P24- P25-P27	2/11/2019	
0P25	LA65270450		LAMP HOLDER [C]			2/8/2019
0P25	LA65270590		LED LAMP L=130MM 12V DC [C]	REPLACE P22-P23-P24- P25-P27	2/11/2019	
0P26	LA66110310		DOOR LIGHTS CABLE SET [C] M-V/061			2/8/2019
0P26	LA66115800		CABLAGGIO LUCI PORTA M-V/061 .		2/11/2019	

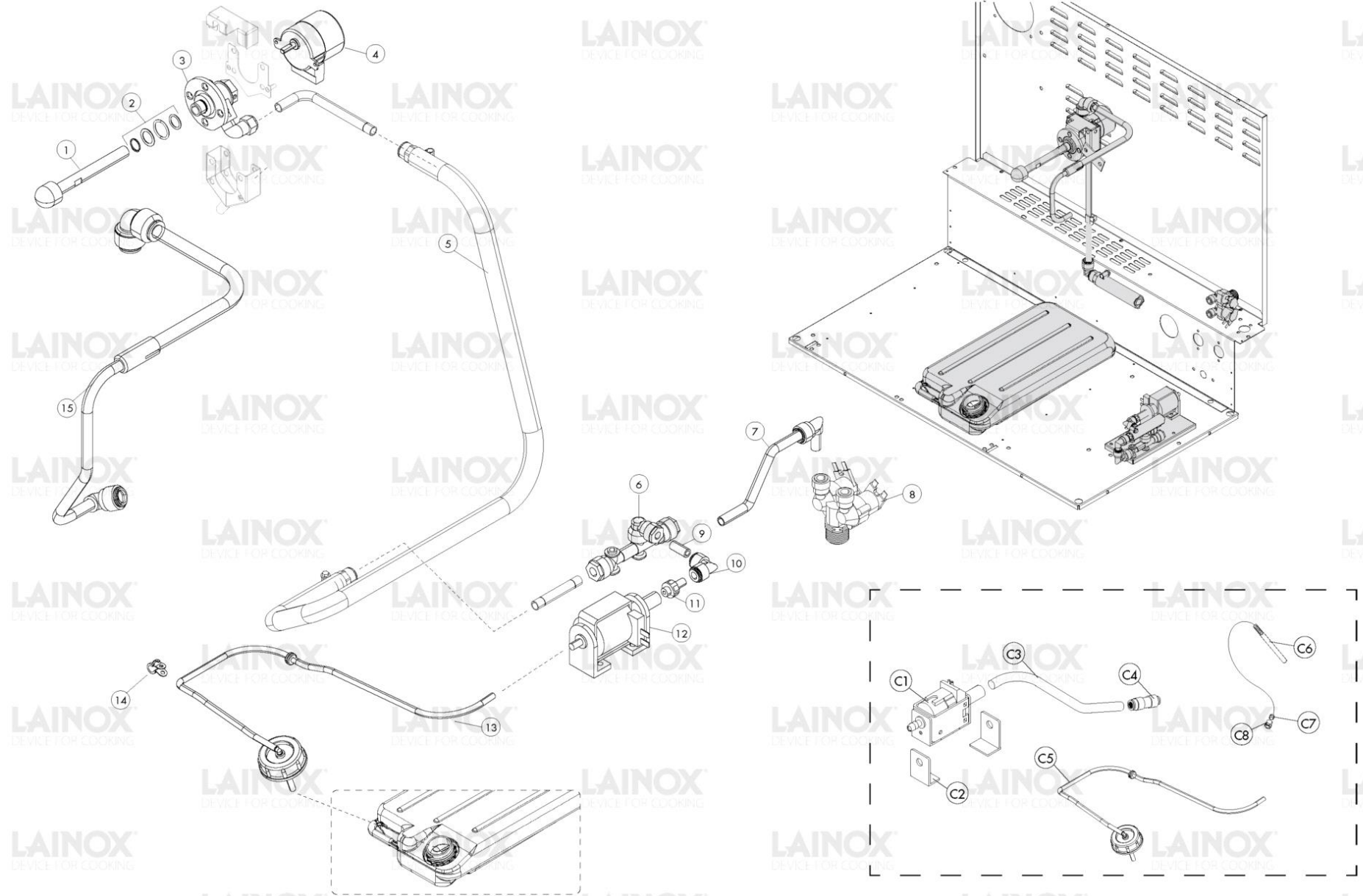
Pos.	Code	Previous code	Description	Notes	From:	To:
0P27	LA65270020		BULB [C] 12V 20W G4			2/8/2019
0P27	LA65270590		LED LAMP L=130MM 12V DC [C]	REPLACE P22-P23-P24- P25-P27	2/11/2019	
0P28	LA61600031	LAR61600031	GASKET [C] D. 3,2			



Warning! The exploded views refer to the general model

TAV.C

Pos.	Code	Previous code	Description	Notes	From:	To:
00C2	LA65302742		SCHED.DISPL.NA7+FR.VER.PLAST.COMP.SOM E			
00C3	LAR14102940		ENCODER UPGRADE C K			
00C4	LAR14102940		ENCODER UPGRADE C K			
00C5	LA69030330	LAR69030330	COUNTER FLANGE [C]			
00C6	LAR14102940		ENCODER UPGRADE C K			
00C7	LA65321310	LAR65321310	CAP [C] USB SOCKET			
00C8	LA65321330	LAR65321330	CAP [C] N/S 2014			
00C9	LA69180350	LAR69180350	PLATE [C] CORE PROBE			
00E1	LA65060050	LAR65060050	FAN [R] D. 120 4715MS 23T			
00E2	LAR75300020		PLATE [C] FAN D. 120			
00E3	LA65180430		TRANSFORMER [C] 40VA 0-220-240/12V			
00E3	LA65187110		TRANSFORMER [C] 40VA 2.5/12/24V	UL Version (USA-CAN)		
00E4	LA65180420		TRANSFORMER [C] 20VA 0-220-240/12V			2/8/2019
00E4	LA65187110		TRANSFORMER [C] 40VA 2.5/12/24V	UL Version (USA-CAN)		2/8/2019
00E4	LA65187260		BALLAST [C] LED APV-12-12	LED	2/11/2019	
00E6	LA65070350	LAR65070350	THERMOSTAT [C] 360Å°C-25K			
00E7	LAR65070081		THERMOSTAT [C] BOILER			
00E8	LA65170100	LAR65170100	RELAY [C]			
00E9	LA65170170	LAR65170170	RELAY [C]			
00S1	LA65302640	LAR65302640	PC BOARD [C] COMPACT NABOO			
00S2	LA65302520	LAR65302520	EXPANSION BOAD [C] BOILER NABOO			
00S3	LA65301740	LAR65301740	CONNECTING CABLE [C]			
00S4	LA65301750	LAR65301750	CONNECTING CABLE [C]			
0C11	LA65321360	LAR65321360	F-CONNECTOR [C] FOR CORE PROBE L. 1000			
0C12	LA65321102		CORE PROBE [C] 4 POINTS 6 PLUG			
0C13	LA86020400		CORE TEMPERATURE PROBE BOX [C]			
0C14	LA65330060	LAR65330060	LOUDSPEAKER [C]			
0C15	LAR80100101		PROFILO GUARNIZIONE NERO 2CRISTALLI 5M			
0C16	LA65302600	LAR65302600	CONNECTING CABLE [C] BOARD/USB OUTLET L. 850			
0C17	LA67018200	LAR67018200	DOOR COVER [C] C_061			
0E10	LA65210020	LAR65210020	FUSE CARRIER [C] 5X20			
0E11	LA65220091	LAR65220091	TERMINAL BLOCK [C]			
0E12	LA65190241		CONDENSER [C] 10ÅµF C/OUT 4 FASTON 6,35 UL			
0E14	LA65140700	LAR65140700	CONTACTOR [C] 4KW-20A			
0E15	LA65140730	LAR65140730	CONTACT [C]			



Warning! The exploded views refer to the general model

TAV.D

Pos.	Code	Previous code	Description	Notes	From:	To:
0001	LAR58000790		WASHING HEAD [C] =105 (C_061)			
0002	LAR70045120		GASKET [W] MOB WASHING			
0003	LAR58007020		FLANGE [C] MOB WASHING			
0004	LA65090260	LAR65090260	GEARMOTOR [C]			
0006	LA62090888	LAR62090888	MANIFOLD [C]			
0007	LAR18109390		TUBI LAVAGGIO C_061 COMPLETO			
0008	LAR65110330		DOUBLE SOLENOID VALVE 2 WAYS 230V 50/60HZ OUT J.G. D.10			
0008	LAR65110770		ELECTRO VALVE [C] 230V 50/60HZ 2 WAYS OUT J.G. D.10 UL	UL Version (USA-CAN)		
0009	LA80150020	LAR80150020	TRANSPARENT POLIURETHANE PIPE [C] D. 8X6MM			
0010	LA62090498	LAR62090498	INTERMEDIATE CURVED CONNECTOR [C] D. 8			
0011	LA62090608	LAR62090608	END SIDE PIPE [C]			
0012	LAR65110600		PUMP [C] WITH OSCILLATING PISTON			
0013	LA14171791		PIPE DETERGENT TANK			
0014	LA61630131	LAR61630131	FASTENING STRAP [C] PK D.8			
0015	LAR18109420		TUBI ACQUA CBE_061 COMPLETO			
00C1	LAR65110620		PUMP [C] 230V 50HZ			
00C2	LA65110630	LAR65110630	SUPPORT [C] PUMP			
00C3	LA80150020	LAR80150020	TRANSPARENT POLIURETHANE PIPE [C] D. 8X6MM			
00C4	LA62090798	LAR62090798	STRAIGHT REDUCTION [C] D. 8-6			
00C5	LA14171841		PIPE DECALCIFER TANK N/S072-102			
00C6	LA65324550	LAR65324550	LEVEL PROBE [C]			
00C7	LA62070023	LAR62070023	BICONE [C] D. 6			
00C8	LA62060223	LAR62060223	NUT [C] D. 6			