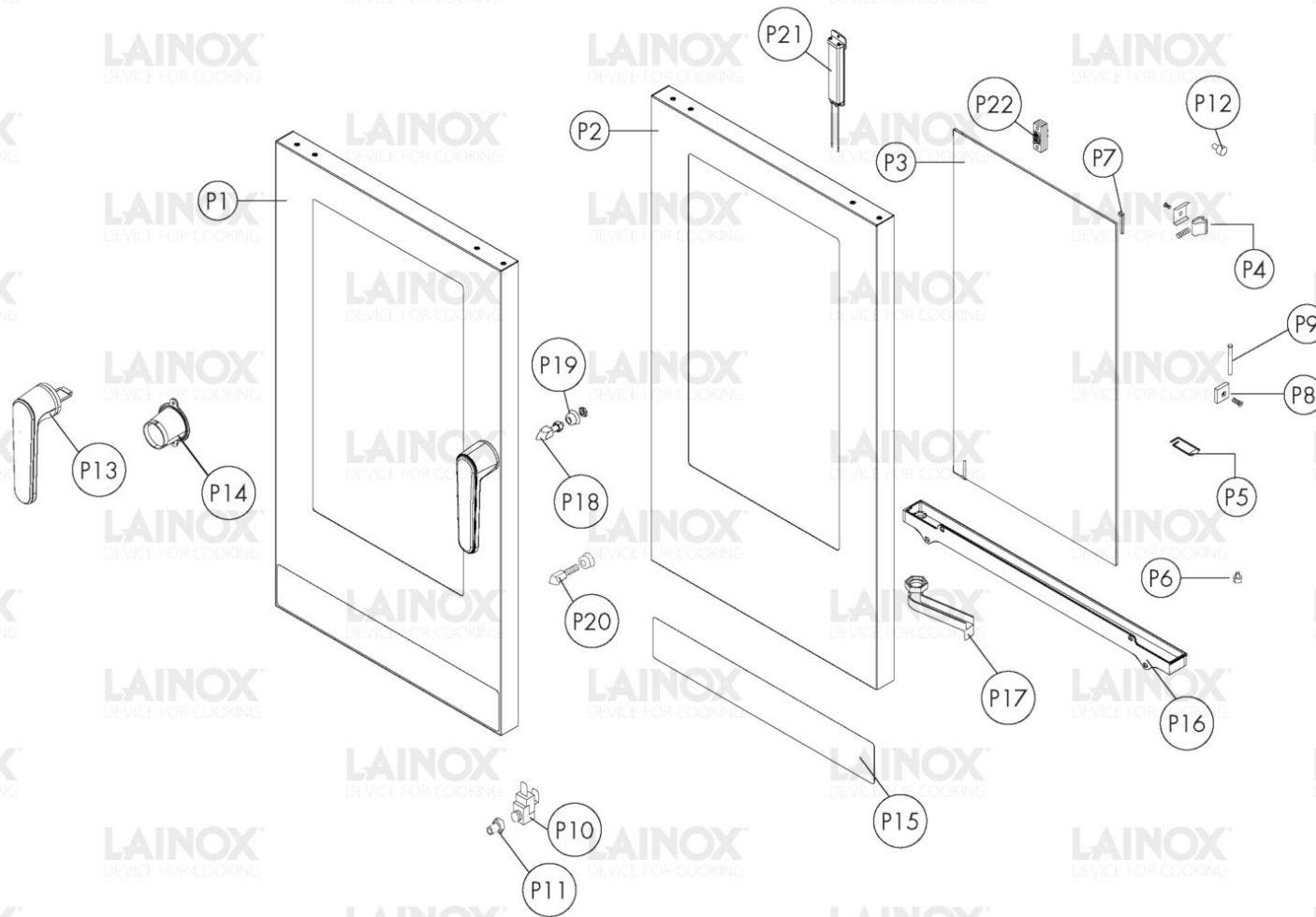


Warning! The exploded views refer to the general model

TAV.A

Pos.	Code	Previous code	Description	Notes	From:	To:
0001	LAR65041040		MOTOR [C] DOUBLE SPEED			
0002	LAR58005500		SEAT [C]			
0003	LA70020020	LAR70020020	GASKET [C] 8X22			
0004	LAR65011660		HEATING ELEMENT [C] 7500W 230V DOUBLE RING CAM			
0004	LAR65011760		HEATING ELEMENT [C] 7500W 208V CHAMBER	UL Version 208V (USA-CAN)		
0005	LA75400580	LAR75400580	FAN [C] D. 200X50 50HZ			
0006	LA75300170	LAR75300170	PLATE [C] FAN D. 200 COE_026/061/101			
0007	LAR18424150		UPPER HINGE [C] FOR DOOR CEV			
0008	LA58002150	LAR58002150	UPPER PIN [C] HINGE M/106-220			
0009	LA58004050	LAR58004050	NUT [C]			
0010	LAR18212360		ASS.CERNIERA INFERIORE COE_026/061/101			
0011	LA58002670	LAR58002670	LOWER PIN [C] HINGE SR 2005			
0012	LA69130570	LAR69130570	CAP [C] D. 8,5-14,5			
0013	LAR65270130		LAMP KIT [C] 230V 40W 300Å°C SET 5 PCS	HALOGEN		10/18/2019
0013	LAR65270510		LAMP HOLDER [C]	HALOGEN		10/18/2019
0014	LA70060080		SILICONE COUPLING [C] D. 13X18X80			
0015	LA58001850	LAR58001850	PIN [C] RACKS SUPPORT M5 MIXTER			
0016	LA70044932	LAR70044930	GASKET [C] DOOR CEV 101 2016			
0017	LAR69180390		DRAIN CONTAINER [C] COE_026/061/101			
0018	LA69180250	LAR69180250	FILTER [C] CONTAINER DRAIN			
0019	LAR69180370		DOOR [C]			
0020	LAR10201700		FILTER [C] D.76/44.5 M/106-11			
0021	LAR70030180		GRAPHITE GASKETS KIT [C] 80x50,3x3 SET 5 PIECES			
0022	LA62090478	LAR62090478	INTERMEDIATE CURVED CONNECTOR [C] D. 10			
0023	LA58006160		NOZZLE [C] D. 0,80			
0024	LA62280028	LAR62280028	CURVE [C]			
0025	LAR65320220		PROBE [C] K L. 1,5M			
0026	LA65090300	LAR65090300	ACTUATOR [C]			
0027	LA70050130	LAR70050130	GASKET [C] VENT PIPE D. 50			
0028	LAR18422130		CAP [C] E_042-051-044			
0029	LA70060010	LAR70060010	SILICONE COUPLING [C] D. 30			
0032	LAR65110360		DOUBLE SOLENOID VALVE 3 WAY D.10			
0032	LAR65110790		SOLENOID VALVE [C] 230V 50/60HZ	UL Version (USA-CAN)		
0033	LA65110580		FLOW REGULATOR [C] PINK 9LT/H			
0034	LA62090528	LAR62090528	CURVED CONNECTOR [C] 10X10			
0035	LAR70010050		GASKET [C] 7,60X2,62			

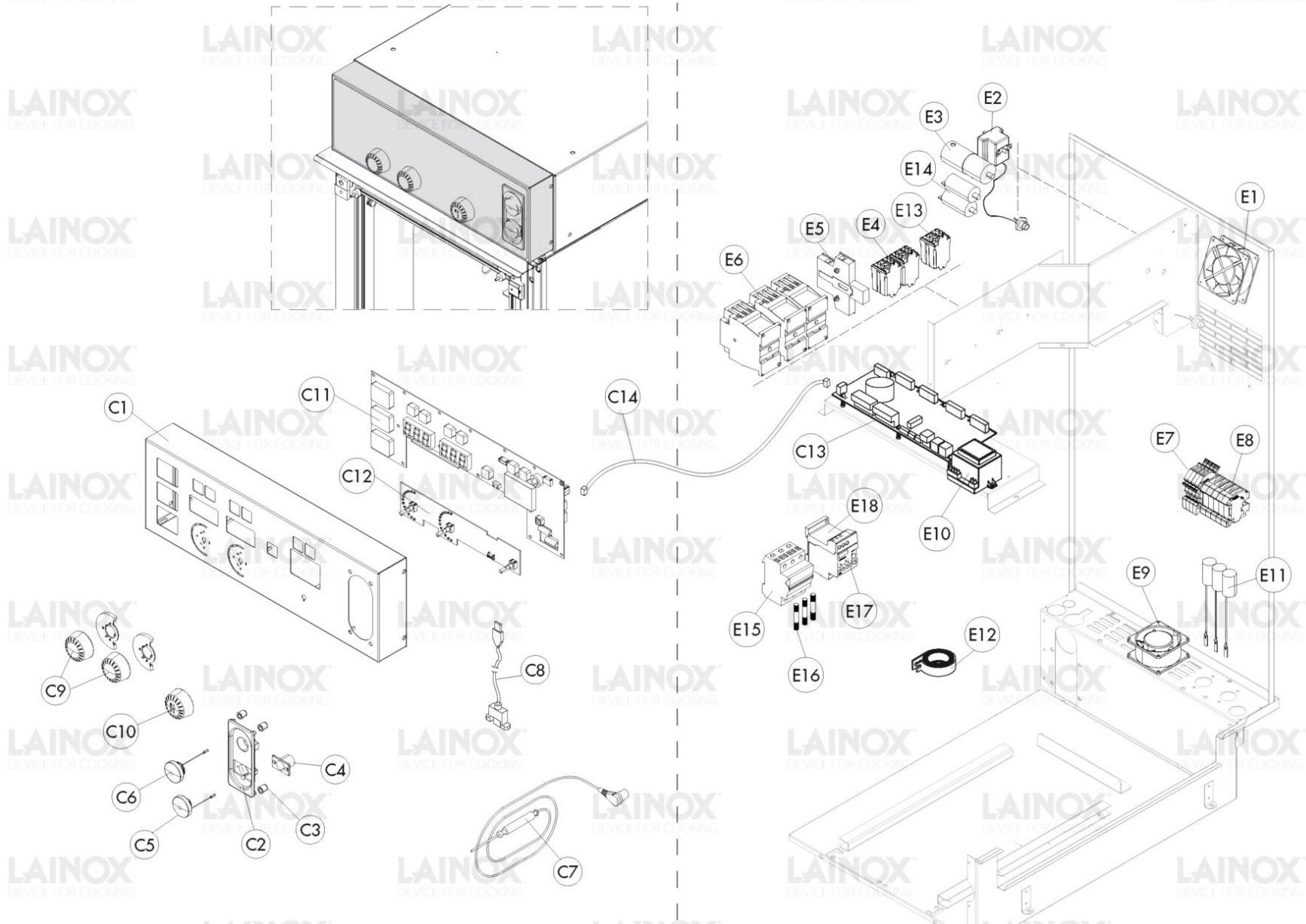
Pos.	Code	Previous code	Description	Notes	From:	To:
0036	LA62090518	LAR62090518	CONNECTOR [C] END SIDE PIPE 10X1/4			
0037	LA62030113	LAR62030113	COUPLING [C] BRASS REDUCTION			
0038	LAR63070050		WATER PRESSURE SWITCH [C] 500/350 mbar -1/8			
0039	LAR65110320		SOLENOID VALVE [C] 230V 50/60HZ 1 OUTLET JG CONNECTION D. 10			
0040	LAR65240200		FAIRLEAD [C]			



Warning! The exploded views refer to the general model

TAV. B

Pos.	Code	Previous code	Description	Notes	From:	To:
00P1	LAR18109290		PORTA COMPLETA COES101 PORTA COMPLETA COES101	HALOGEN		10/18/2019
00P2	LAR18212490A		PORTA ESTERNA COES101	HALOGEN		10/18/2019
00P3	LAR71200970		GLASS PLATE [C]	HALOGEN		10/18/2019
00P4	LAR17406230		GLASS BLOCK [C]		10/8/2018	
00P4	LAR58001780		CATCH [C] DOOR GLASS			10/5/2018
00P5	LA61620152		SPRING [C] PRONG HOOK			
00P6	LA18404520		SPACER [C] GLASS PROTECTION			
00P7	LA11423460		PROTECTION [C] DOOR GLASS K E T 2011			
00P8	LA58001760		HINGE [C]			
00P9	LA58001770		PIN [C] GLASS HINGE SR2000			
0P10	LAR65260540		MICROSWITCH [C] DOOR			10/18/2019
0P10	LAR65260660		MICROSWITCH [C] DOOR		10/21/2019	
0P11	LA58001860		PIN [C] RACKS SUPPORT			
0P12	LAR70050180		SPACER [C] GLASS PLATE 15X8			
0P13	LA69010900		HANDLE [C]			
0P14	LA69011000		COVER [C]			
0P15	LAR67018240		RIV.PORT.COMP.SAPIENS COES026/061/101 LX			
0P16	LA69180380		DOOR CONTAINER [C] COE_026/061/101			
0P17	LA69180011		WATER DRAIN [C] CONTAINER			
0P18	LA69010260		PRONG [C]			
0P19	LAR69010270		DOOR LATCH 2 STEP [C]			
0P20	LA70050160		GASKET [C] COVER 6303			
0P21	LA65270590		LED LAMP L=130MM 12V DC [C]		10/21/2019	
0P22	LAR65260752		LIGHT CONTACT [C] SR.2014 - FLOOR OVEN		10/21/2019	

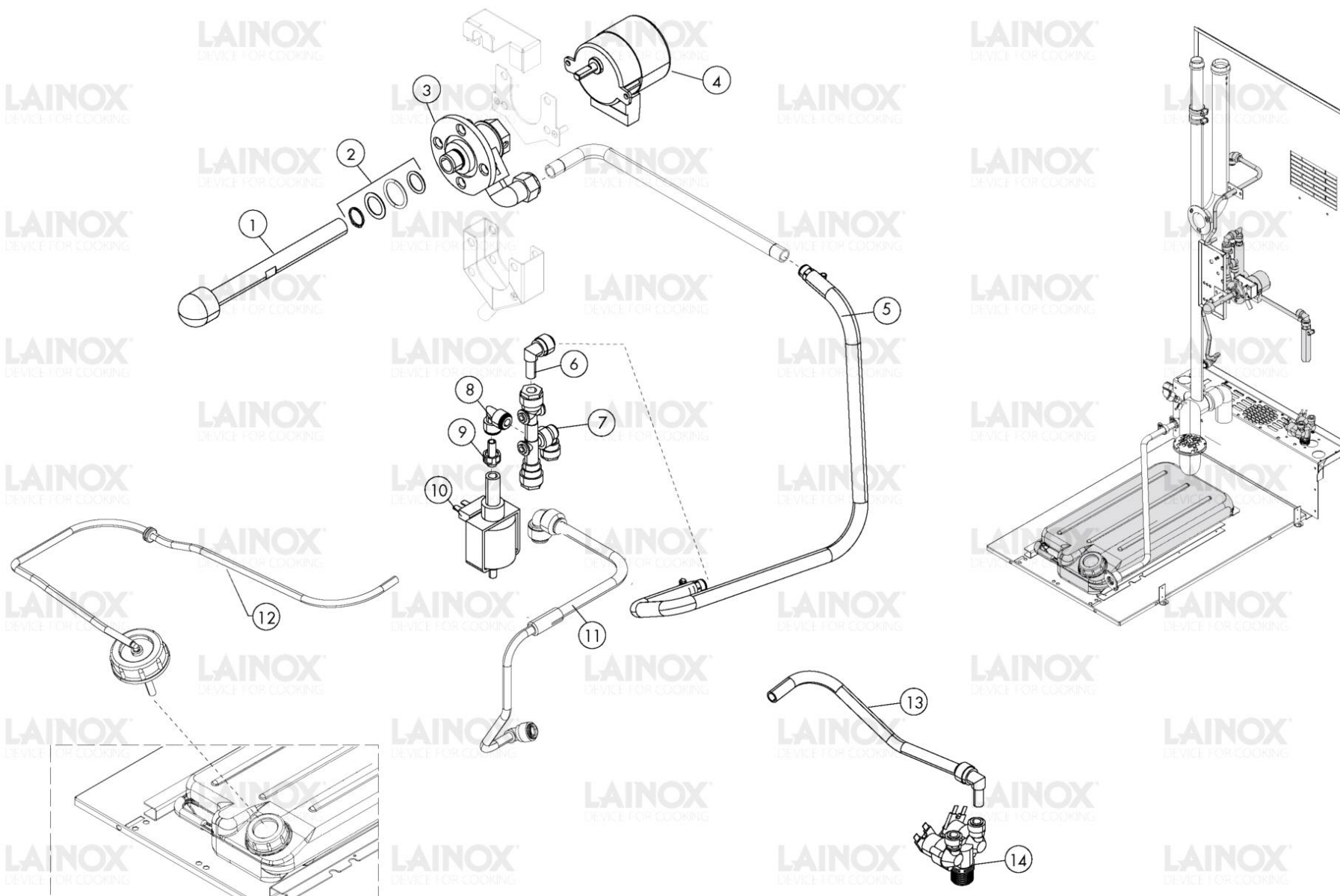


Warning! The exploded views refer to the general model

TAV. C



Pos.	Code	Previous code	Description	Notes	From:	To:
00C1	LAR18219340		CONTROL PANEL [C] + KEYBOARD COES026R-061R-101R			
00C2	LA69180350	LAR69180350	PLATE [C] CORE PROBE			
00C4	LA65321110	LAR65321110	F-CONNECTOR [C] FOR CORE PROBE L. 350			
00C5	LA65321330	LAR65321330	CAP [C] N/S 2014			
00C6	LA65321310	LAR65321310	CAP [C] USB SOCKET			
00C7	LA65321102		CORE PROBE [C] 4 POINTS 6 PLUG			
00C8	LA65302600	LAR65302600	CONNECTING CABLE [C] BOARD/USB OUTLET L. 850			
00C9	LA69030380		ENCODER [C] KNOB D. 46			
00E1	LA65060050	LAR65060050	FAN [R] D. 120 4715MS 23T			
00E2	LA65070350	LAR65070350	THERMOSTAT [C] 360Å°C-25K			
00E2	LA65070370		THERMOSTAT [C] 360Å°C	UL Version (USA-CAN)		
00E3	LA65190241		CONDENSER [C] 10ÅµF C/OUT 4 FASTON 6,35 UL			
00E4	LA65170180	LAR65170180	RELAY [C]			
00E5	LA65140740	LAR65140740	CONTACT [C]			
00E6	LA65140710	LAR65140710	CONTACTOR [C] 7,5KW-35A			
00E7	LA65210020	LAR65210020	FUSE CARRIER [C] 5X20			
00E8	LA65220290	LAR65220290	TERMINAL BLOCK [C]			
00E9	LA65060010	LAR65060010	FAN [C] D. 80			
0C10	LA69030400		ENCODER [C] KNOB D. 46 W/LOGO			
0C11	LA65303000		KEYBOARD BOARD [C] ORIZONTAL S RELOADED			
0C12	LA65303020		ENCODER BOARD [C] ORIZONTAL S RELOADED			
0C13	LA65302980		MAIN BOARD [C] S RELOADED			
0C14	LA65303230		CAVO COLLEG.BASE-TASTIERA L=600			
0E10	LA65180420		TRANSFORMER [C] 20VA 0-220-240/12V			
0E10	LA65187260		BALLAST [C] LED APV-12-12	LED (ONLY FOR T3)		
0E13	LA65170170	LAR65170170	RELAY [C]			
0E14	LA65190081		CONDENSER [C] .5ÅµF V425-B UL			



Warning! The exploded views refer to the general model

**TAV.D**



Pos.	Code	Previous code	Description	Notes	From:	To:
0001	LAR58007060		WASHING HEAD [C]			
0002	LAR70045120		GASKET [W] MOB WASHING			
0003	LAR58007020		FLANGE [C] MOB WASHING			
0004	LA65090260	LAR65090260	GEARMOTOR [C]			
0005	LAR18109610		PIPE [C] COEN/S101			
0006	LA62090478	LAR62090478	INTERMEDIATE CURVED CONNECTOR [C] D. 10			
0007	LA62090888	LAR62090888	MANIFOLD [C]			
0008	LA62090498	LAR62090498	INTERMEDIATE CURVED CONNECTOR [C] D. 8			
0009	LA62090608	LAR62090608	END SIDE PIPE [C]			
0010	LAR65110600		PUMP [C] WITH OSCILLATING PISTON			
0011	LAR18109380		PIPE [C] COE_101			
0012	LA14171831		PIPE DETERGENT TANK N/S072/102			
0013	LAR18109370		PIPE [C] WASHING SYSTEM COE_101			
0014	LAR65110330		DOUBLE SOLENOID VALVE 2 WAYS 230V 50/60HZ OUT J.G. D.10			
0014	LAR65110770		ELECTRO VALVE [C] 230V 50/60HZ 2 WAYS OUT J.G. D.10 UL	UL Version (USA-CAN)		