

DOMINATOR *PLUS* **E3625 & E3925, ELECTRIC** **CHARGRILL**



INSTALLATION AND **SERVICING INSTRUCTIONS**

CAUTION - READ THESE INSTRUCTIONS BEFORE INSTALLING, COMMISSIONING OR USING THIS APPLIANCE!

The installer must ensure that the installation of the appliance is in conformity with these instructions and National Regulations in force at the time of installation. Particular attention **MUST** be paid to:

BS7671 IEE Wiring Regulations
Electricity at Work Regulations
Health And Safety At Work Act
Fire Precautions Act

This appliance has been UKCA/CE marked based on compliance with the relevant Electrical and Electromagnetic Compatibility (EMC) Regulations/Directives for the voltages stated on the data plate.

WARNING: THIS APPLIANCE MUST BE EARTHED.

On completion of the installation, these instructions should be left with the Engineer-in-Charge for reference during servicing. Further to this, The Users Instructions should be handed over to the User, having had a demonstration of the operation and cleaning of the appliance.

IT IS MOST IMPORTANT THAT THESE INSTRUCTIONS BE CONSULTED BEFORE INSTALLING AND COMMISSIONING THIS APPLIANCE. FAILURE TO COMPLY WITH THE SPECIFIED PROCEDURES MAY RESULT IN DAMAGE OR THE NEED FOR A SERVICE CALL.

It is the responsibility of the Supervisor or equivalent to ensure that any user wears SUITABLE PROTECTIVE CLOTHING. Attention should also be drawn to the fact that some parts of the unit will, by necessity, become VERY HOT to the extent that burning could occur if these are touched accidentally.

PREVENTATIVE MAINTENANCE CONTRACT

To obtain maximum performance from this unit regular servicing of the appliance should be undertaken to ensure correct operation, it is functioning as intended, and safe to use. We recommend servicing in accordance with SFG20 Maintenance Schedules and as a minimum, after 2,500 hours of use, or annually, whichever comes first and that a maintenance contract be arranged with an appointed service contact. Visits may then be made at agreed intervals to carry out adjustments and repairs.



WEEE Directive Registration No. WEE/DC0059TT/PRO

At end of unit life, dispose of appliance and any replacement parts in a safe manner, via a licensed waste handler.

Units are designed to be dismantled easily and recycling of all material is encouraged whenever practicable.

Falcon Foodservice Equipment

Wallace View, Hillfoots Road, Stirling, FK9 5PY, Scotland

Tel : 01786 455200

T100982 Ref.8

IMPORTANT INFORMATION

ELECTRICAL SAFETY AND ADVICE REGARDING SUPPLEMENTARY ELECTRICAL PROTECTION

Commercial kitchens and foodservice areas are environments where electrical appliances may be located close to liquids, or operate in and around damp conditions or where restricted movement for installation and service is evident.

The installation and periodic inspection of the appliance should only be undertaken by a qualified, skilled and competent electrician; and connected to the correct power supply suitable for the load as stipulated by the appliance data label.

The electrical installation and connections should meet the necessary requirements to the local electrical wiring regulations and any electrical safety guidelines.

We recommend:-

- Supplementary electrical protection with the use of a type A residual current device (RCD)
- Fixed wiring appliances incorporate a locally situated switch disconnector to connect to, which is easily accessible for switching off and safe isolation purposes. The switch disconnector must meet the specification requirements of IEC 60947.

Your attention is drawn to:-

BS 7671:2018–Guidance Note 8 - 8.13 : Other locations of increased risk

It is recognized that there may be locations of increased risk of electric shock other than those specifically addressed in Part 7 of BS 7671. Examples of such locations could include laundries where there are washing and drying machines in close proximity and water is present, and commercial kitchens with stainless steel units, where once again, water is present.

Where because of the perception of additional risks being likely, the installation designer decides that an installation or location warrants further protective measures, the options available include:

- Automatic Disconnection of Supply (ADS) by means of a residual current device having a residual operating current not exceeding 30mA;
- Supplementary protective equipotential bonding; and
- Reduction of maximum fault clearance time.

The provision of RCDs and supplementary bonding must be specified by the host organization's appointed installation designer or electrical contractor and installed by a suitably qualified and competent electrician so as to comply with Regulations 419.2 and 544.2

SECTION 1 – INSTALLATION



UNLESS OTHERWISE STATED, PARTS WHICH HAVE BEEN PROTECTED BY THE MANUFACTURER ARE NOT TO BE ADJUSTED BY THE INSTALLER.

1.1 MODEL NUMBERS, NET WEIGHTS AND DIMENSIONS

| Model | Width (mm) | Depth (mm) | Height | Weight (kg) |
|-------|------------|------------|--------|-------------|
| E3625 | 600 | 785 | 526 | 56.5 |
| E3925 | 900 | 785 | 526 | 75.5 |

1.2 SITING

The appliance should be installed on a level, fireproof surface, in a well lit and draught free position.

If floor is constructed of combustible material, local fire requirements should be checked to ensure compliance. If siting against a wall, it must be of a non combustible material.

If this is not possible these surfaces should be clad in a suitable non-combustible, heat-insulating material. Close attention be paid to fire regulations.

1.3 ELECTRICAL SUPPLY

The units are suitable for AC supplies only. Both models are for use on three phase supplies.



WARNING - THIS APPLIANCE MUST BE EARTHED

1.4 SUPPLY CONNECTION

A suitable mains input cable should be fitted that conforms to code designation 60245 IEC 57, cable type H07RN-F.

A suitably rated isolating switch with contact separation of at least 3mm in all poles must be installed and wiring executed in accordance with relevant regulations. We recommend supplementary electrical protection with the use of a residual current device (RCD).

Access to mains terminal block is gained by removing control panel.

1.5 ELECTRICAL RATINGS

Electrical loading is as stated in table below and also on appliance data plate.

The location of mains isolating switch should be identified for use in any event of an emergency or during cleaning.

1.5.1 E3625

| Connection | Amps (A) |
|------------|----------|
| L1 | 11 |
| L2 | 15 |
| L3 | 11 |

1.5.2 E3925

| Connection | Amps (A) |
|------------|----------|
| L1 | 15 |
| L2 | 22 |
| L3 | 22 |

SECTION 2 - ASSEMBLY AND COMMISSIONING

Note

The following information should be read as applicable to the unit being assembled.

2.1 ASSEMBLY

- a) Position unit. Level it using foot adjusters. To mount unit upon a purpose built stand, refer to details supplied with stand.
- b) Unit is supplied with terminals for connection to a suitable mains supply. All wiring must be in accordance with local regulations.
- c) To gain access to terminals, remove control panel and proceed as follows:
- d) Undo and remove upper fixings.
- e) Undo fixings below control panel. Remove panel carefully and set aside.
- f) Terminals are now accessible and supply cables can be fed through rear of unit.
- g) After connecting mains supply, replace control panel.

2.2 CONNECTION TO AN ELECTRICAL SUPPLY

Connect as detailed in Sections 1.3 and 1.4.

2.3 STARTING UP

Switch on mains supply, red neon will light. Turn control knob(s) to desired setting.

2.4 INSTRUCTION TO USER

After installation and commissioning is completed, please hand User Instructions to user.

Ensure that person(s) responsible understand correct operation and cleaning of appliance.

SECTION 3 - SERVICING AND MAINTENANCE

SERVICE INFORMATION

This unit carries an extensive mainland UK warranty. The warranty is in addition to and does not change your statutory or legal rights.

The warranty policy can be found on our website which details the conditions of the warranty and the exclusions.

<https://www.falconfoodservice.com/info-centre/policy>



Service calls to equipment under warranty will be carried out in accordance with the conditions of sale.

Warranty calls can be made between 8:30 am and 5:00 pm weekdays only.

To ensure your warranty enquiry is handled as efficiently as possible, ensure you have the following appliance information prior to calling us:

1. Model number – found on data plate
2. Serial number – found on data plate
3. Brief description of the issue

To contact Falcon for a warranty issue dial (UK only) 01786 455 200 and select Warranty Issues from the menu.



BEFORE ATTEMPTING ANY MAINTENANCE, ISOLATE APPLIANCE AT MAIN SWITCH AND TAKE STEPS TO ENSURE THAT IT IS NOT INADVERTENTLY SWITCHED ON.

MAINTENANCE CHECK

Regular servicing of the appliance should be undertaken to ensure correct operation, it is functioning as intended, and safe to use. We recommend servicing after 2,500 hours of use, or annually, whichever comes first.



Any maintenance schedule should be carried out in accordance with SFG20 Maintenance Schedule. Should any issues with the integrity of the components be identified these should be replaced. If the appliance is not considered safe the unit should be removed from service and the responsible person advised why the unit is not safe to use and what remedial action is needed. Contents of the maintenance schedule should be agreed with the maintenance provider.

3.1 CONTROL PANEL - To Remove

- a) To gain access to terminals, remove control panel and proceed as follows:
- b) Undo and remove upper fixings.
- c) Undo fixings below control panel. Remove panel carefully and set aside.

3.2 ELEMENT – To Replace

- a) Remove control panel as above
- b) Remove element wires from contactor(s).
- c) Remove unit rear panels.
- d) Remove all fixings from underside of hob.
- e) Remove element head end covers.
- f) Lift off element assembly complete.
- g) To refit, follow above instructions in reverse.

3.3 ENERGY REGULATOR

- a) Remove control panel as above.
- b) Remove control knob from spindle.
- c) Remove all electrical connections on regulator and switch.
- d) Remove 2 X screw fixings on front of control panel.
- e) Pull switch free of regulator.

3.4 ELEMENT ASSEMBLY MICRO SWITCH

- a) Remove rear access panels.
- b) Remove element pivot cover, access to fixings through rear access panels.
- c) Disconnect wiring taking note of connections.
- d) Remove fixing screws for micro switch taking care not to damage insulation card
- e) To refit, follow above instructions in reverse.

3.5 FUSE

- a) Remove control panel.
- b) If fuse requires replacing, ensure it is replaced with a 2A fuse.
- c) To refit, follow above instructions in reverse.

3.6 INDICATOR LAMP

- a) Remove control panel.
- b) Remove lamp connections.
- c) Remove nut at rear of lamp.

SECTION 4 - SPARES AND ACCESSORIES

When ordering spare parts, always quote appliance type and serial number. This information will be found on data plate.

Short list of spares

Element

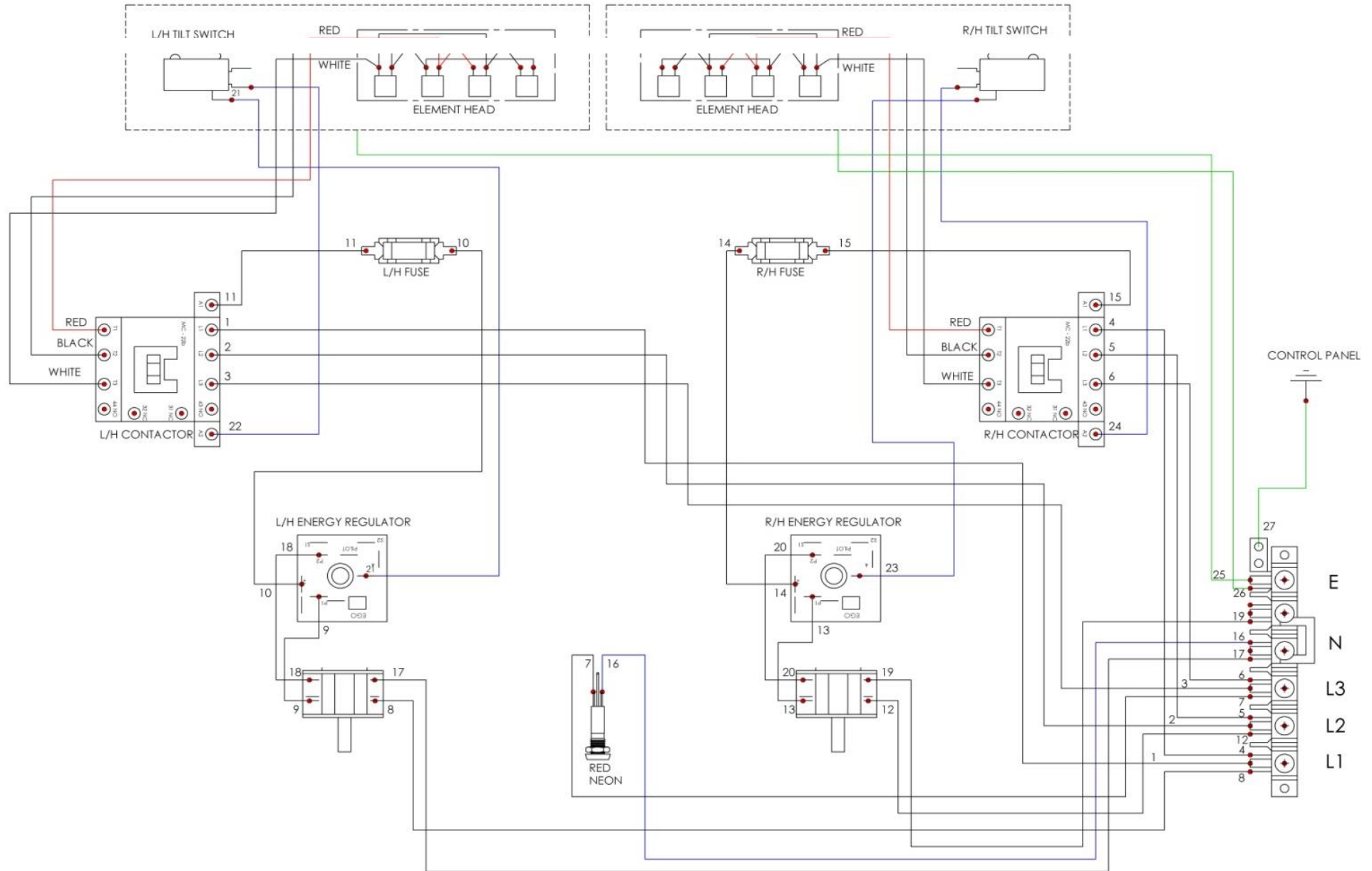
Energy regulator

Indicator lamp

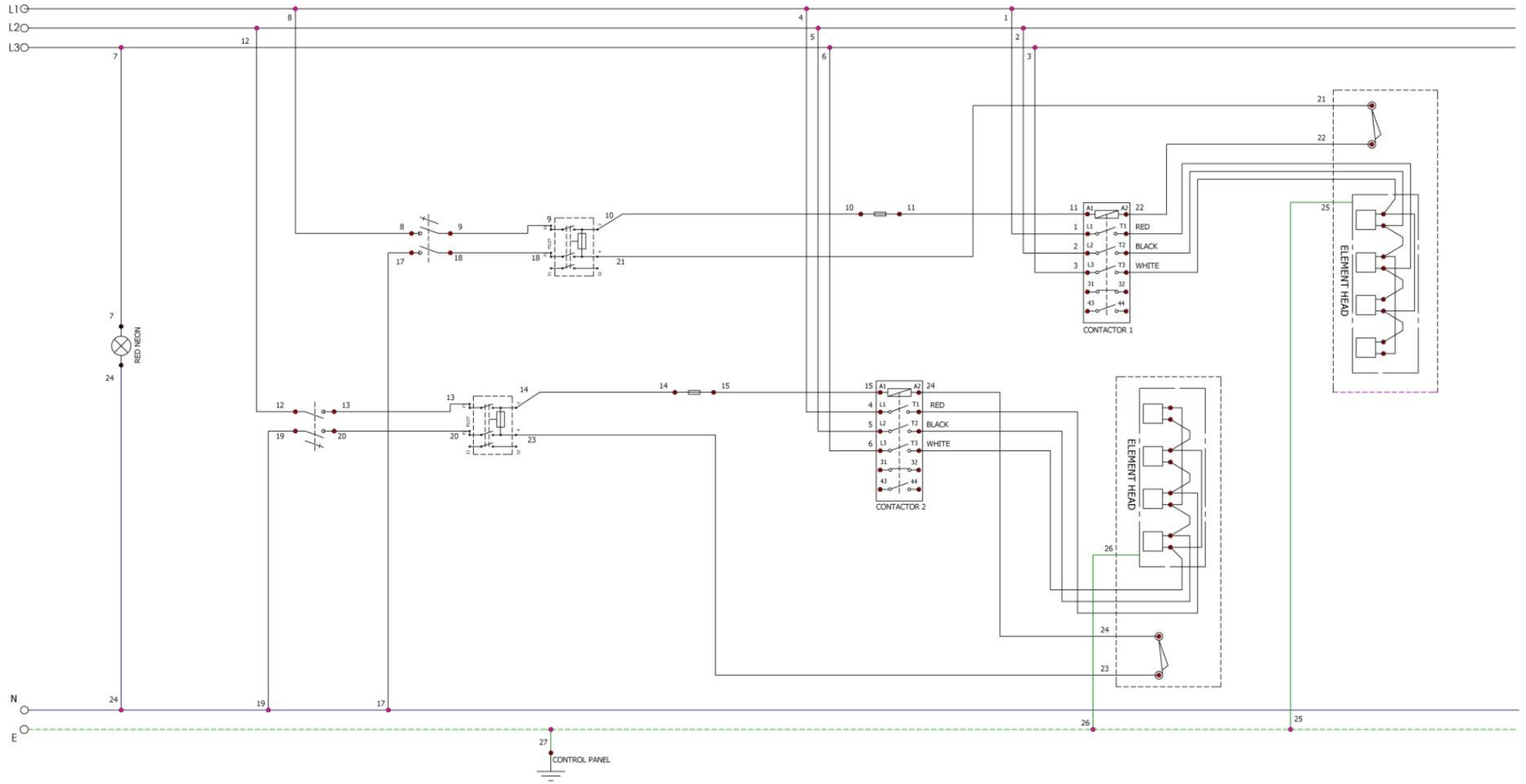
Control knob

Contactor

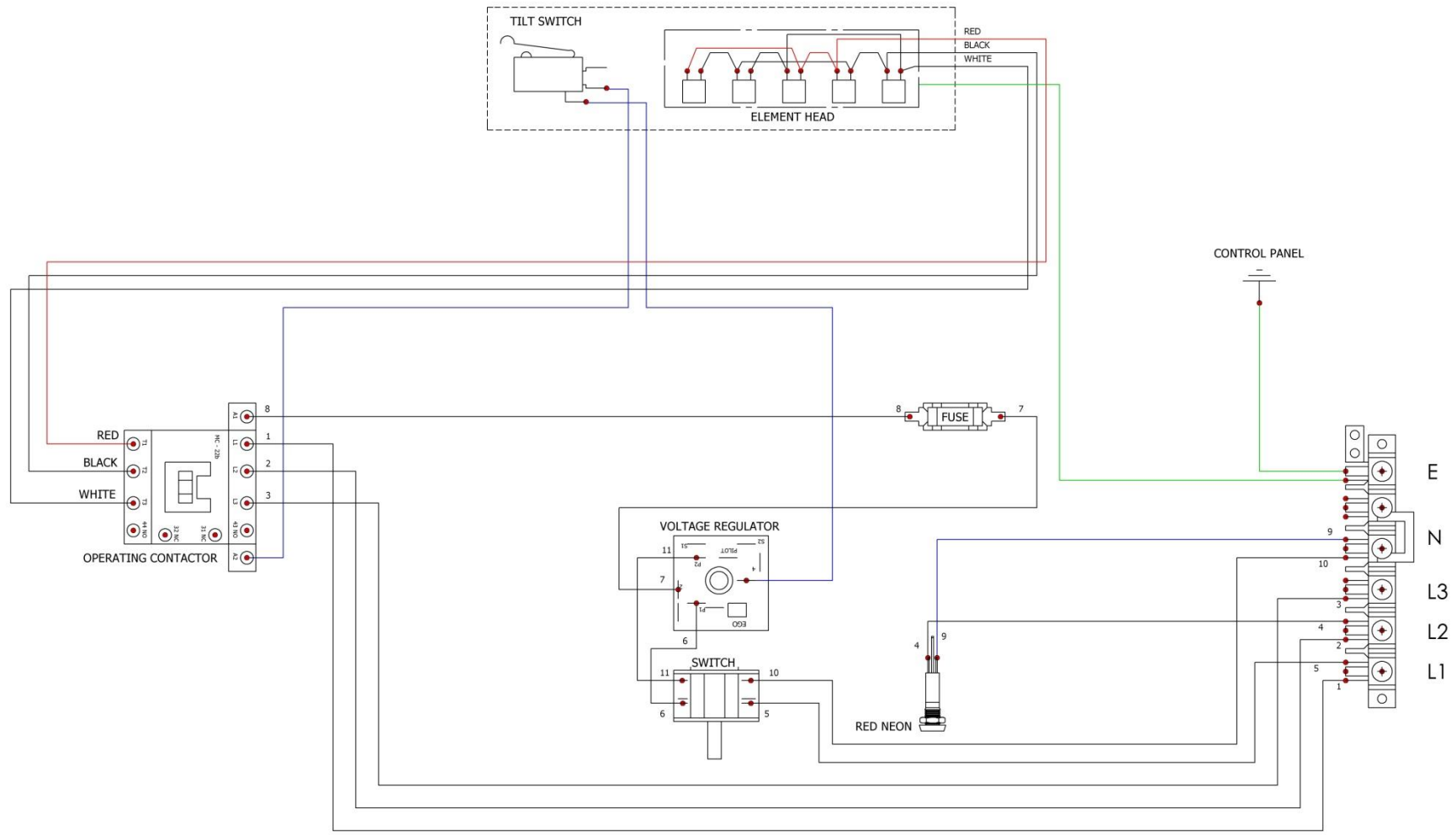
E3925 WIRING DIAGRAM 400V 3N~



E3925 CIRCUIT DIAGRAM 400V 3N~



E3625 WIRING DIAGRAM 400V 3N~



E3625 CIRCUIT DIAGRAM 400V 3N~

