



CHIEFTAIN

E1006X Three Hotplate Oven Range

Key features

- Individually-controlled heavy duty cast iron hotplates
 - Flexible temperature control, large level cooking area
- Two removable drip trays
 - Deal with hob splashes quickly and hygienically
- All stainless steel exterior panel construction
 - Superior durability and easy to clean
- 2/1 GN compatible oven with anti-tilt shelves
 - Large capacity output
- Wide oven temperature range of 125 - 275°C
 - Ideal to prepare a wide variety of food
- Reinforced drop down door
 - Rest food on door when loading / unloading if necessary
- Oven has 4 shelf positions and allows 2 shelf cooking
 - Versatile, ideal for a wide range of menu items

Accessories

- Pot rack
- Oven shelf
- Factory fitted, adjustable castors

Similar Models

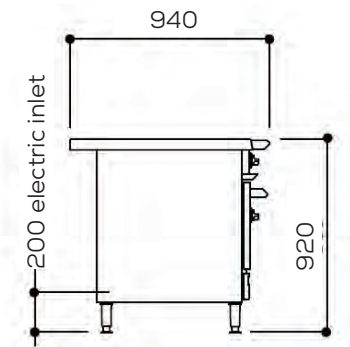
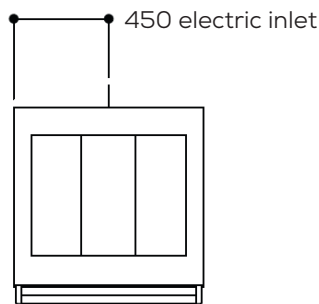
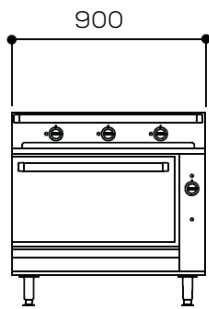
- E9184 four hotplate oven range
- E3101 3HP oven range
- G1006BX gas solid top range



CHIEFTAIN

E1006X

Three Hotplate Oven Range



Measurements *in mm*

Unit on castors is same height

Specification *details*

Electrical rating (kW)	15.35	
Electrical supply voltage	400V 3N~	
Electrical current split (A)	L1: 28.5 L2: 14 L3: 22.5	
Hotplate rating (kW)	3.35 x 3	
Oven element rating (kW)	5.3	
Oven dimensions (w x d x h - mm)	650 x 530 x 350	
Oven shelf (w x d - mm)	650 x 530	
Gastronorm compatibility	2/1	
Weight (kg)	227	
Packed weight (kg)	240	
Packed dimensions (w x d x h - mm)	1000 x 1000 x 1100	
GTIN numbers	On feet	On castors

Installation notes

Adequate ventilation must be provided to supply sufficient fresh air and to allow easy removal of any such products that may present a risk to health. Please consult current legislation for details that relate to specific locations.

Install unit on a level, fireproof surface in a well-lit position. If floor is made of a combustible material, local fire requirements must be checked to ensure compliance.

A clearance of 150mm should be observed between appliance and any combustible wall.



Falcon Foodservice Equipment, Wallace View, Hillfoots Road, Stirling FK9 5PY Scotland
t: +44 (0) 1786 455 200 e: info@falconfoodservice.com www.falconfoodservice.com

E1006X/SS/1120