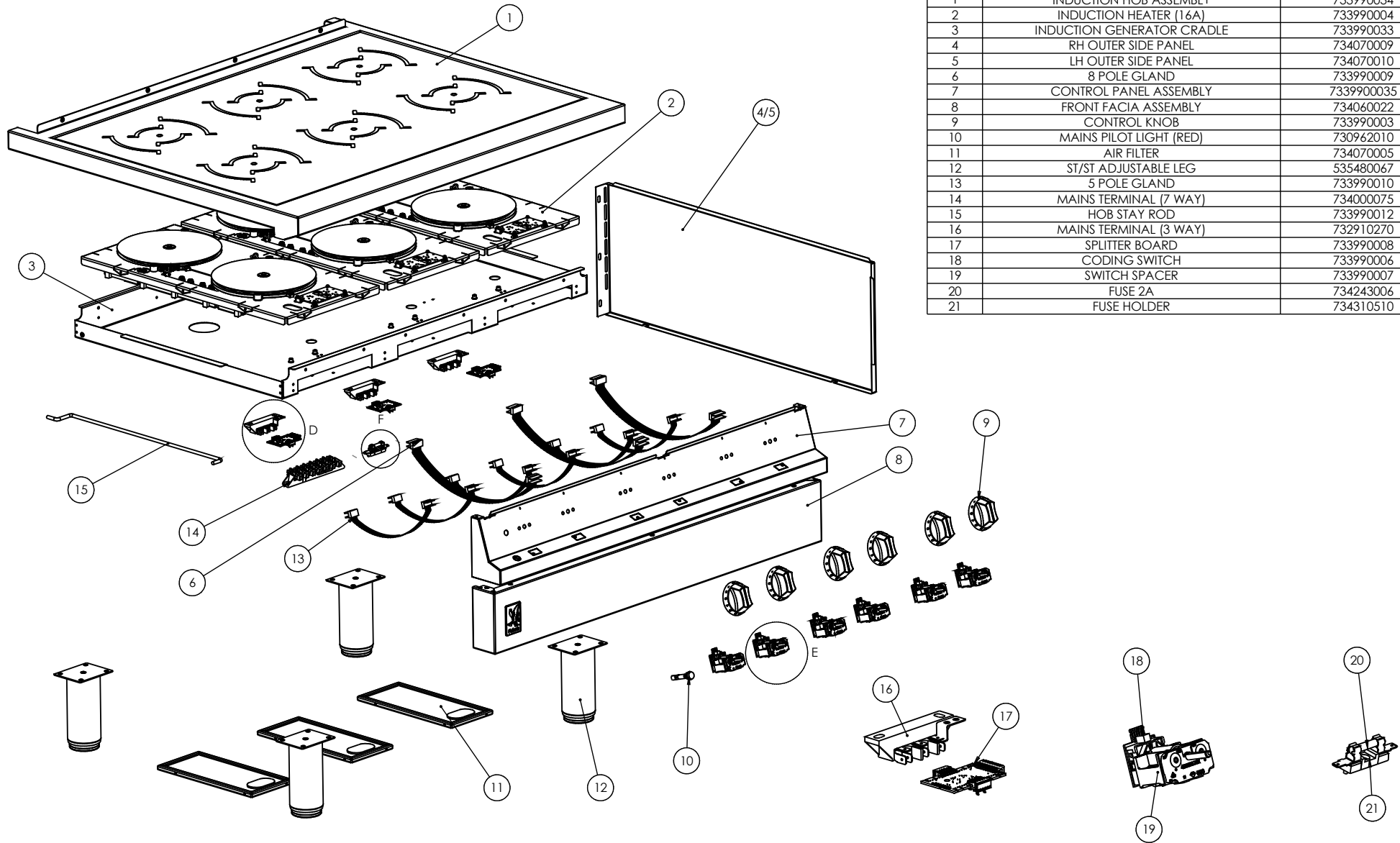




E1603i - SPARES



| ITEM No. | DESCRIPTION | SPARES No. |
|----------|----------------------------|------------|
| 1 | INDUCTION HOB ASSEMBLY | 733990034 |
| 2 | INDUCTION HEATER (1.6A) | 733990004 |
| 3 | INDUCTION GENERATOR CRADLE | 733990033 |
| 4 | RH OUTER SIDE PANEL | 734070009 |
| 5 | LH OUTER SIDE PANEL | 734070010 |
| 6 | 8 POLE GLAND | 733990009 |
| 7 | CONTROL PANEL ASSEMBLY | 7339900035 |
| 8 | FRONT FACIA ASSEMBLY | 734060022 |
| 9 | CONTROL KNOB | 733990003 |
| 10 | MAINS PILOT LIGHT (RED) | 730962010 |
| 11 | AIR FILTER | 734070005 |
| 12 | ST/ST ADJUSTABLE LEG | 535480067 |
| 13 | 5 POLE GLAND | 733990010 |
| 14 | MAINS TERMINAL (7 WAY) | 734000075 |
| 15 | HOB STAY ROD | 733990012 |
| 16 | MAINS TERMINAL (3 WAY) | 732910270 |
| 17 | SPLITTER BOARD | 733990008 |
| 18 | CODING SWITCH | 733990006 |
| 19 | SWITCH SPACER | 733990007 |
| 20 | FUSE 2A | 734243006 |
| 21 | FUSE HOLDER | 734310510 |