

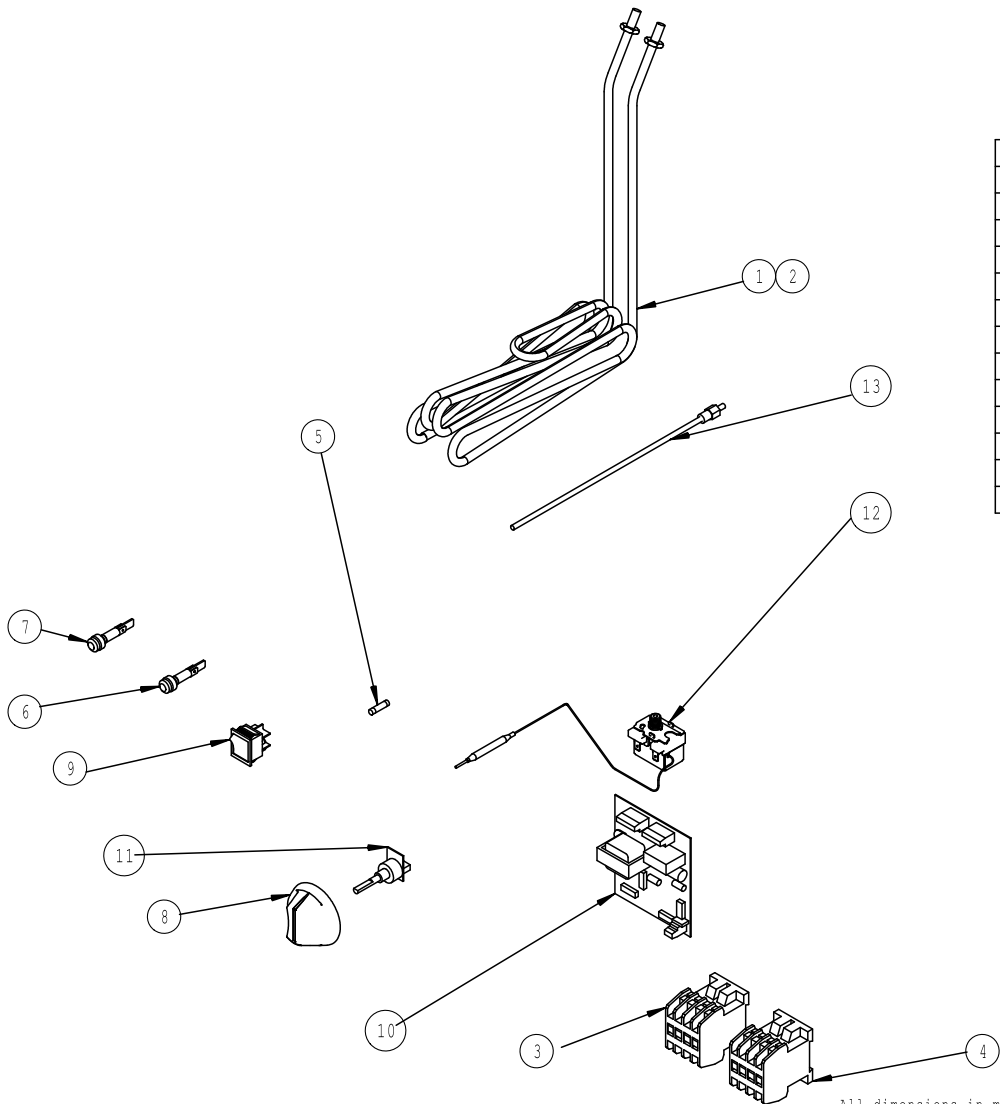
IF IN DOUBT ASK!!

DO NOT SCALE !!

First Angle Projection



Item	Description	E1808	E1838	E1848
		Falcon Part No.	Falcon Part No.	Falcon Part No.
1	Element 5kW	731300000	-----	731300000
2	Element 4kW	-----	731310000	-----
3	Contactator Operating	734520200	734510010	734520200
4	Contactator Safety	734520200	734510010	734520200
5	Fuse 2A Anti Surge	734510280	734510280	734510280
6	Indicator Amber	731310070	731310070	731310070
7	Indicator Red	731310060	731310060	731310060
8	Thermostat Knob	734510240	734510240	734510240
9	Switch On/Off	734510150	734510150	734510150
10	Thermostat PCB	734510160	734510160	734510160
11	Potentiometer	734510120	734510120	734510120
12	Safety Limit Device	734510170	734510170	734510170
13	Thermocouple	734510020	734510020	734510020



All dimensions in millimetres, Tolerance- Linear $\pm 0.5\text{mm}$ Angular $\pm 0.5^\circ$ (or as stated). All sharp edges to be removed from sheet metal parts.

Issue	Mod No.	Alteration	Zone	Drawn by	Date

This part is common to the following units



© No reproduction or publication of this drawing may be made and no article may be manufactured or assembled in accordance with this drawing without prior written consent. This prohibition is a term of any contract relating to this drawing. Rights reserved under the Copyright Act 1956 as amended by the Design Copyright Act 1968.

Drawn	I. HAMILTON	Product	E1808/38/48 FRYERS	
Date	28-04-06	Title	SPARES DIAGRAM	
Scale				
Matl.		Drawing Number	AD44788	Issue
No. off		Finish		
Bin No.		Kraus No.		