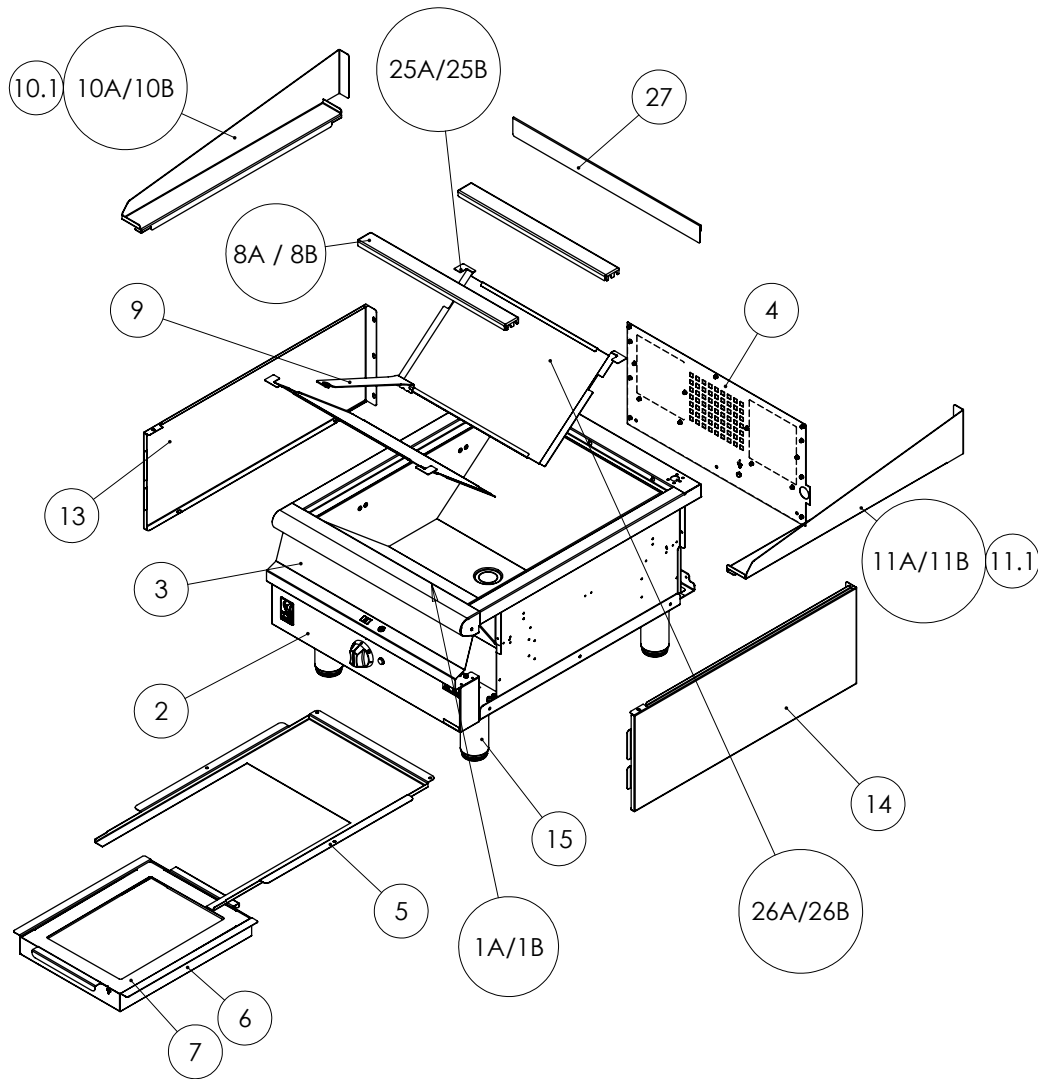




E3625 - SPARES - FITMENTS



ITEM	DESCRIPTION	SPARES No.
1A	HOB DRIP TRAY ASSY 489MM PAN (PRE FEB 2023)	735950015
1B	HOB DRIP TRAY ASSY 479MM PAN (POST FEB 2023)	735950016
2	LOWER FACIA	735950001
3	CONTROL PANEL	735950002
4	OUTER BACK PANEL	735950003
5	LOWER BRACKET	735950004
6	WASTE TRAY	735950005
7	WASTE TRAY FRAME	735950006
8A	ELEMENT SUPPORT FOR 489MM PAN (PRE FEB 2023)	735950007
8B	ELEMENT SUPPORT FOR 479MM PAN (POST FEB 2023)	733650008
9	SCRAPER CLEANING TOOL WITH HOOK	733650009
10A	LH SPLASH GUARD ASSY (PRE FEB 2023)	735960009
10B	LH SPLASH GUARD ASSY (POST FEB 2023)	733650001
10.1	MAGNET (NOT SHOWN)	735960012
11A	RH SPLASH GUARD ASSY (PRE FEB 2023)	735960010
11B	RH SPLASH GUARD ASSY (POST FEB 2023)	733650002
11.1	MAGNET (NOT SHOWN)	735960012
12	TERMINAL COVER PLATE	735960011
13	LH OUTER SIDE	735960013
14	RH OUTER SIDE	735960014
15	ADJUSTABLE FEET	535000012
25A	PTFE LINER AND FRAME SETS 489MM PAN (PRE FEB 2023)	735950009
25B	PTFE LINER AND FRAME SETS 479MM PAN (POST FEB 2023)	735950013
26A	PTFE LINER SET OF TWO FOR 489MM PAN (PRE FEB 2023)	735950010
26B	PTFE LINER SET OF TWO FOR 479MM PAN (POST FEB 2023)	735950014
27	REAR SPLASHGUARD INFILL	735950011



E3625 - SPARES - ELECTRICAL FITMENTS

ITEM	DESCRIPTION	SPARES No.
1	ELEMENT ASSY	735950000
1.1	MICROSWITCH (NOT SHOWN)	735960015
2	FUSE HOLDER	734310510
2.1	FUSE (NOT SHOWN)	734243006
3	TERMINAL BLOCK	731000006
4	ENERGY REGULATOR	737630011
5	CONTACTOR	734510010
6	SWITCH	732910481
7	RED NEON	730962010
8A	CONTROL KNOB (PRE FEB 2023)	731610000
8B	CONTROL KNOB & STOP KIT (POST FEB 2023) SHOWN	735950017
9	BALL KNOB	735950012

