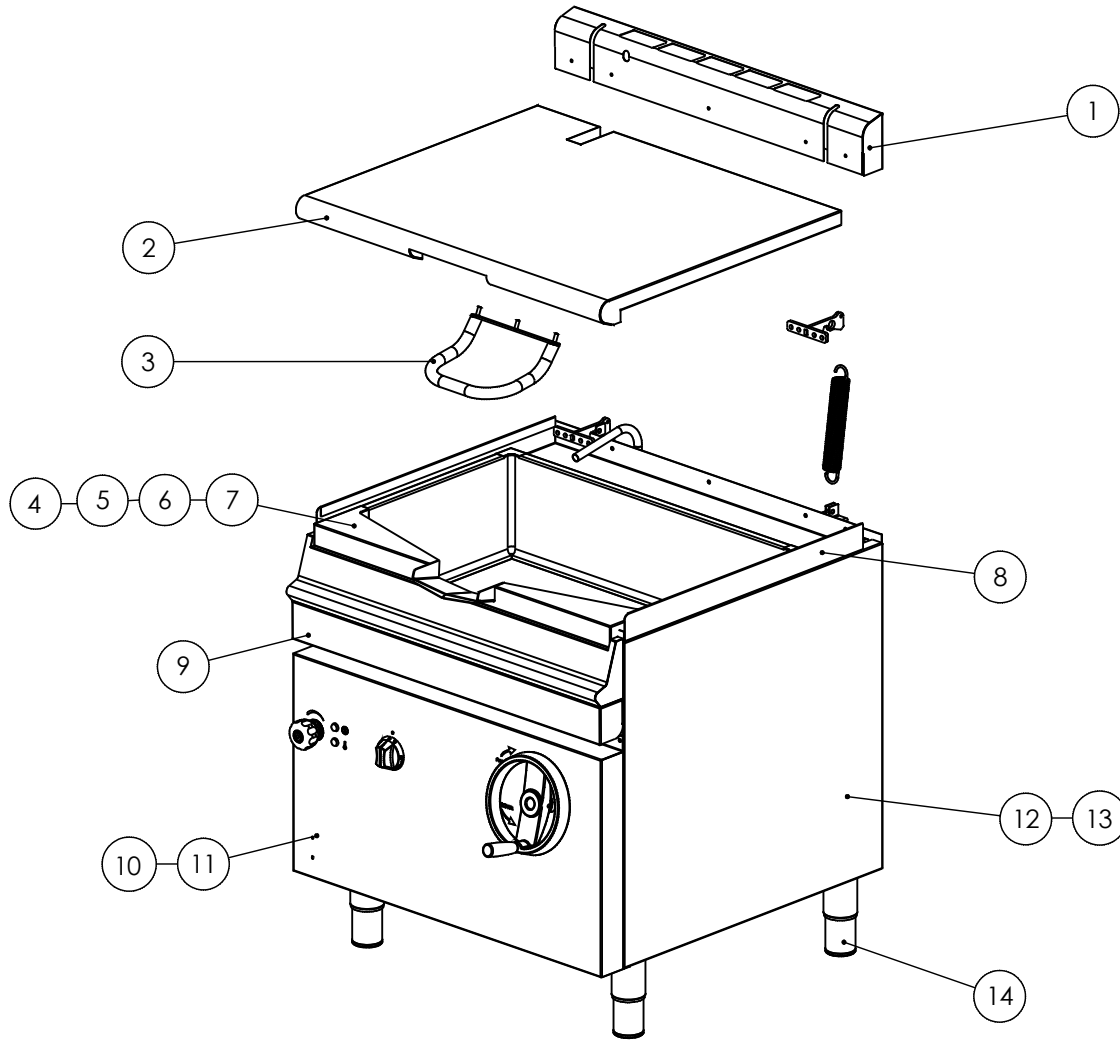




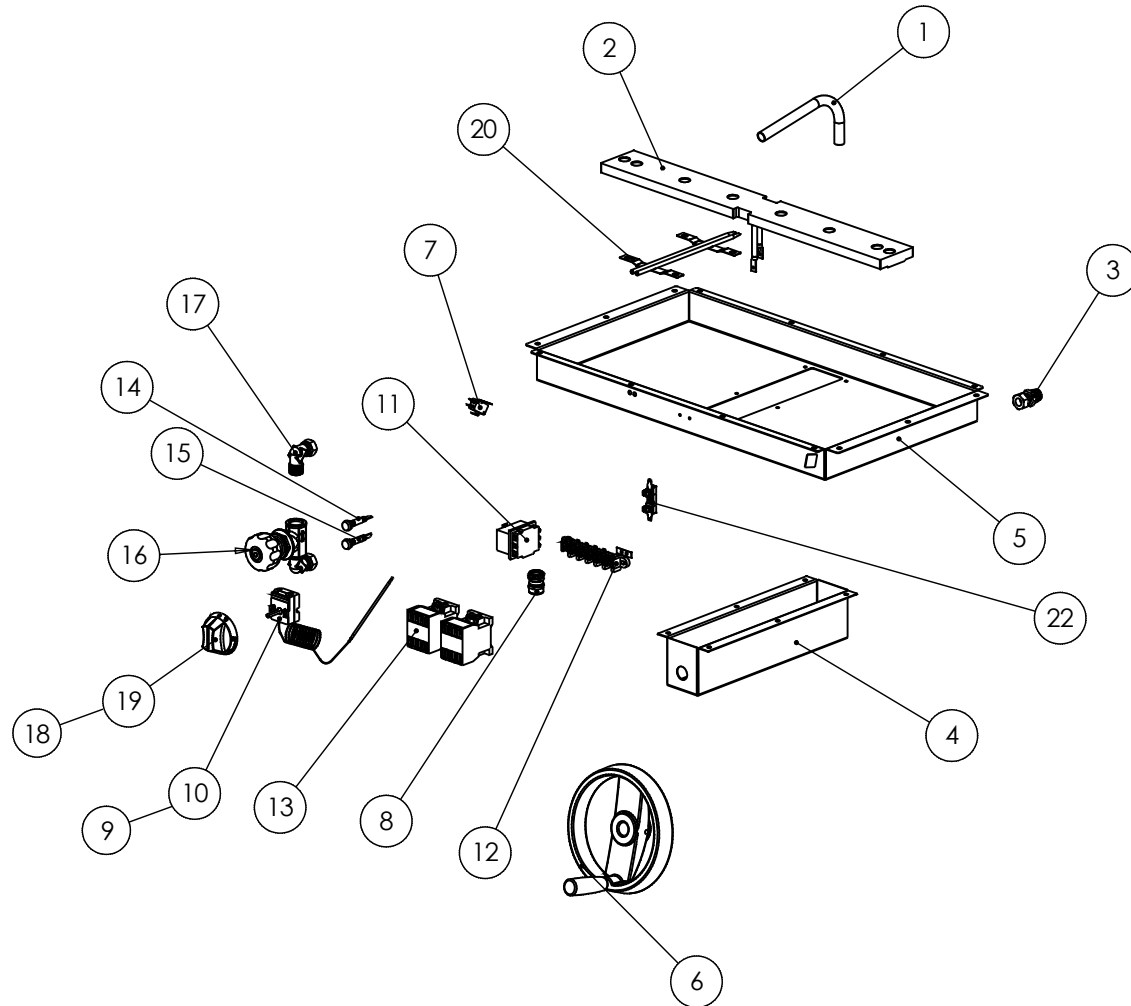
E3800DX - SPARES - FITMENTS



ITEM	DESCRIPTION	SPARES CODE
1	FLUE COVER	732150009
2	LID ASSEMBLY	732150010
3	LID HANDLE	732150011
4	S/S PAN (ELECTRIC)	732150013
5	S/S PAN (GAS)	537800000
6	DUPLEX PAN (ELECTRIC)	732150021
7	DUPLEX PAN (GAS)	537800010
8	TOP SURROUND	732150014
9	FRONT FASCIA	732150015
10	FRONT PANEL (ELECTRIC)	732150016
11	FRONT PANEL (GAS)	537800001
12	SIDE PANEL RH	732150017
13	SIDE PANEL LH	732150018
14	FOOT	535480067
15	CASTOR (SWIVEL)	530964350
16	CASTOR (FIXED)	535290031



E3800DX - SPARES - CONTROLS



ITEM	DESCRIPTION	SPARES CODE
1	WATER SPOUT	732150000
2	2.8kW ELEMENT	732150001
3	WATER INLET	531610050
4	ELEMENT TERMINAL COVER	732150002
5	ELEMENT BOX	732150003
6	PAN LIFTING HANDLE	537800008
7	TILT SWITCH	531750540
8	SMALL CABLE GLAND	732630040
9	OPERATING STAT (E3800)	538700028
10	OPERATING STAT (E3800DX)	732150020
11	SAFETY THERMOSTAT	732150006
12	INCOMING TERMINAL BLOCK	731000006
13	4POLE CONTACTOR	734310440
14	RED NEON	730962010
15	AMBER NEON	730962040
16	TAP	537800007
17	90 DEGREE ELBOW	536300039
18	CONTROL KNOB (E3800)	537800011
19	CONTROL KNOB (E3800DX)	732150019
20	PHIAL CLAMP	732150008
21	RUBBER O RING	735820002
22	1A ANTI SURGE FUSE	535420014