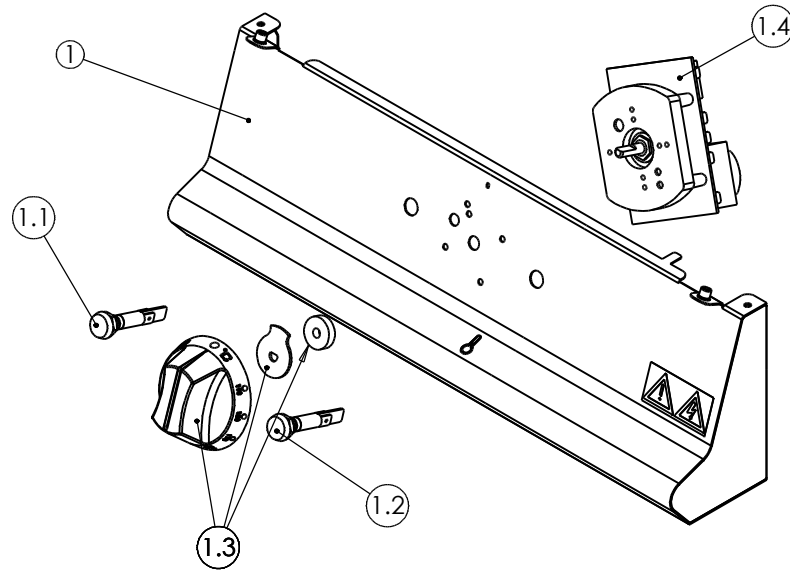


| ITEM | DESCRIPTION | SPARES No. |
|------|------------------------|------------|
| 1 | CONTROL PANEL ASSEMBLY | 731390000 |
| 1.1 | RED NEON | 735010370 |
| 1.2 | AMBER NEON | 735010380 |
| 1.3 | CONTROL KNOB C/W STOP | 731350001 |
| 1.4 | CONTROLLER | 731350002 |



PRODUCTION ISSUE

| ISSUE | MOD No | ALTERATION | DRAWN BY | DATE |
|-------|--------|------------------|--------------|----------|
| A | 1336 | PRODUCTION ISSUE | S.McGUINNESS | 28/09/12 |

IF IN DOUBT ASK
DO NOT SCALE
FIRST ANGLE PROJECTION

UNLESS OTHERWISE SPECIFIED:
DIMENSIONS ARE IN MILLIMETERS
TOLERANCES:
LINEAR: ±0.5mm
ANGULAR: ±0.5 DEG

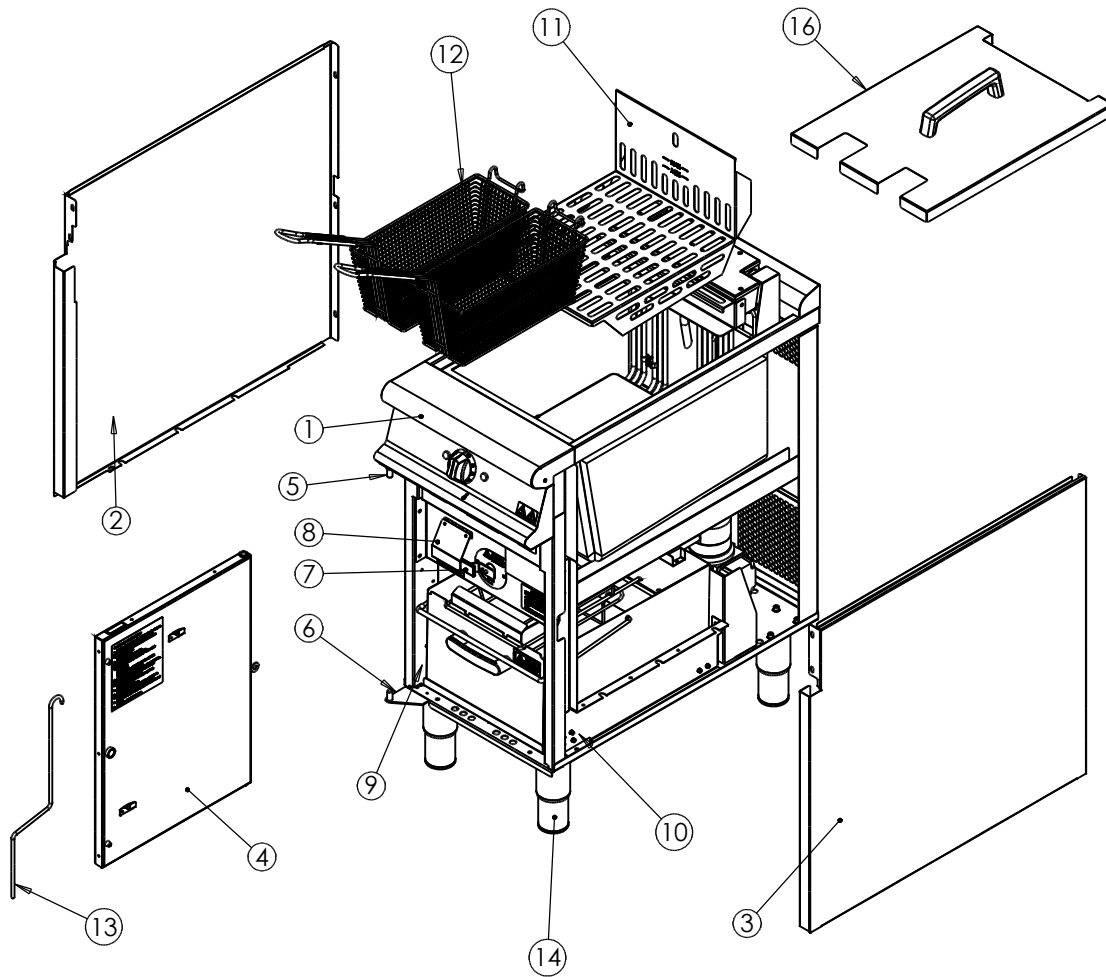
DEBUR AND
BREAK SHARP EDGES

WEIGHT: 1206923.59g



| | | |
|----------------------------|---|----------|
| DRAWN: S.McGUINNESS | PRODUCT E & G3840/F FRYER | |
| DATE: 30/03/12 | TITLE SPARES CONTROL PANEL | |
| SCALE: 1:5 | DRAWING NUMBER | ISSUE |
| MATL: | AD49424 | A |
| THICKNESS: | FINISH: | PART No: |
| BIN No: | | |

© NO REPRODUCTION OR PUBLICATION OF THIS DRAWING MAY BE MADE AND NO ARTICLE MAY BE MANUFACTURED OR ASSEMBLED IN ACCORDANCE WITH THIS DRAWING WITHOUT PRIOR WRITTEN CONSENT. THIS PROHIBITION IS A TERM OF ANY CONTRACT RELATING TO THIS DRAWING. RIGHTS RESERVED UNDER THE COPYRIGHT ACT 1956 AS AMENDED BY THE DESIGN COPYRIGHT ACT 1968

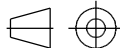


| ITEM | DESCRIPTION | SPARES No |
|------|------------------------------------|-----------|
| 1 | HOB PAN ASSEMBLY C/W DRAIN VALVE | 731390001 |
| 2 | L/H OUTER SIDE | 731390002 |
| 3 | R/H OUTER SIDE | 731390003 |
| 4 | DOOR ASSEMBLY | 131390004 |
| 5 | TOP DOOR HINGE | 731390005 |
| 6 | BOTTOM DOOR HINGE | 731390006 |
| 7 | DRAIN HANDLE | 731350007 |
| 8 | DRAIN HANDLE FLAP | 731350008 |
| 9 | L/H BUCKET RUNNER (NOT SHOWN) | 73150009 |
| 10 | R/H BUCKET RUNNER | 731350010 |
| 11 | ELEMENT GUARD | 731350011 |
| 12 | CHIP BASKET | 536430126 |
| 13 | DRAIN PROD / LIFTING TOOL | 731350012 |
| 14 | ADJUSTABLE FEET | 731350013 |
| 15 | CASRORS ALSO AVAILABLE (NOT SHOWN) | |
| 15-1 | SWIVEL BRAKED | 535290032 |
| 15.2 | FIXED NON BRAKE | 535290031 |
| 16 | DUST COVER | |

PRODUCTION ISSUE

| ISSUE | MOD No | ALTERATION | DRAWN BY | DATE |
|-------|--------|------------------|--------------|----------|
| A | 1336 | PRODUCTION ISSUE | S.McGUINNESS | 28/09/12 |

IF IN DOUBT ASK
DO NOT SCALE
FIRST ANGLE PROJECTION



UNLESS OTHERWISE SPECIFIED:
DIMENSIONS ARE IN MILLIMETERS
TOLERANCES:
LINEAR: ±0.5mm
ANGULAR: ±0.5 DEG

DEBUR AND
BREAK SHARP EDGES

WEIGHT: 1206948.05g



DRAWN: **S.McGUINNESS**

DATE: **02/04/12**

SCALE: **1:10**

MATL:

THICKNESS:

BIN No:

PRODUCT

E3840/F FRYER

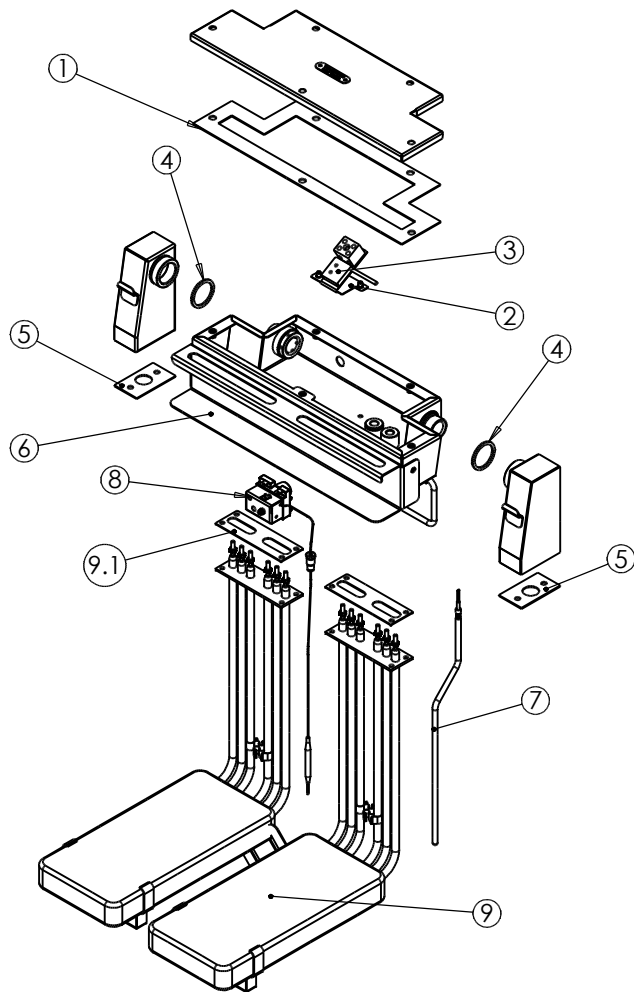
TITLE

DRAWING NUMBER

AD49425

ISSUE

A



| ITEM | DESCRIPTION | SPARES No |
|------|-------------------------------|-----------|
| 1 | ELEMENT BOX LID GASKET | 731390007 |
| 2 | TILT SWITCH BRACKET | 731350016 |
| 3 | TILT SWITCH | 735750014 |
| 4 | ELEMENT BOX CABLE GASKET | 731350017 |
| 5 | ELEMENT BOX SUPPORT GASKET | 731350018 |
| 6 | BASKET HANGING RAIL | 731390008 |
| 7 | THERMISTOR PROBE C/W FITTINGS | 731350020 |
| 8 | SAFETY STAT C/W FITTINGS | 731350021 |
| 9 | ELEMENT C/W GASKET | 731350022 |
| 9.1 | ELEMENT GASKET | 731350023 |
| | | |
| | | |

PRODUCTION ISSUE

| ISSUE | MOD No | ALTERATION | DRAWN BY | DATE |
|-------|--------|------------------|--------------|----------|
| A | 1336 | PRODUCTION ISSUE | S.McGUINNESS | 28/09/12 |

IF IN DOUBT ASK
DO NOT SCALE
FIRST ANGLE PROJECTION

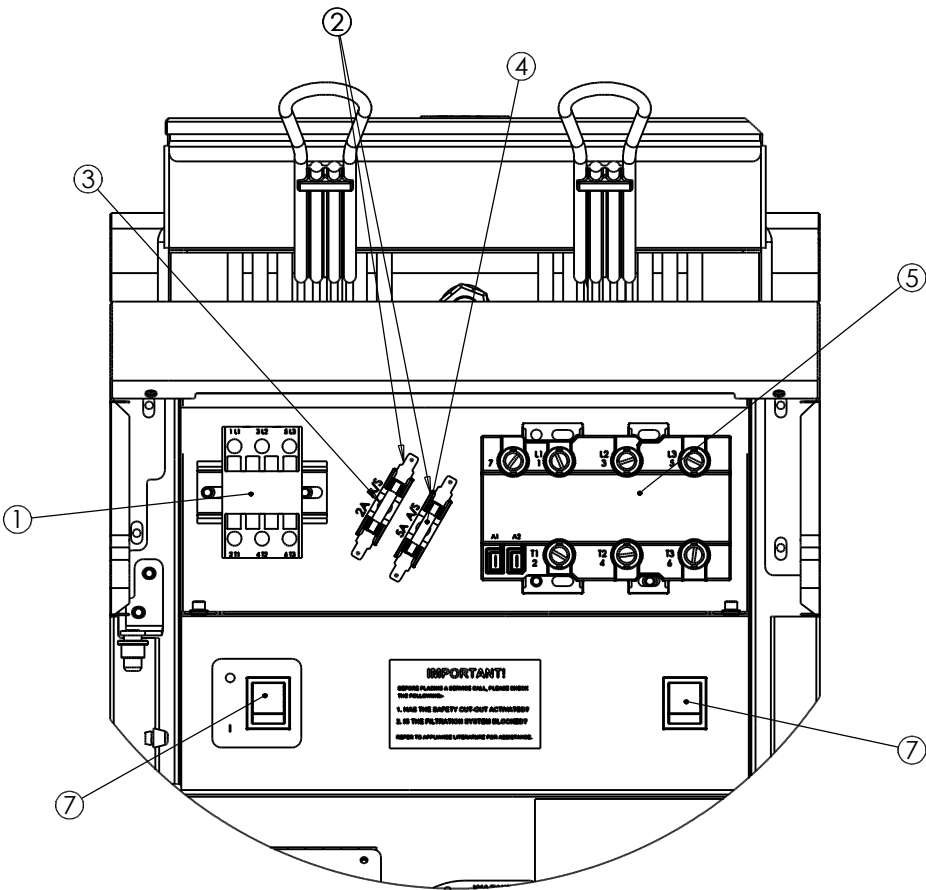
UNLESS OTHERWISE SPECIFIED:
DIMENSIONS ARE IN MILLIMETERS
TOLERANCES:
LINEAR: ±0.5mm
ANGULAR: ±0.5 DEG

DEBUR AND
BREAK SHARP EDGES

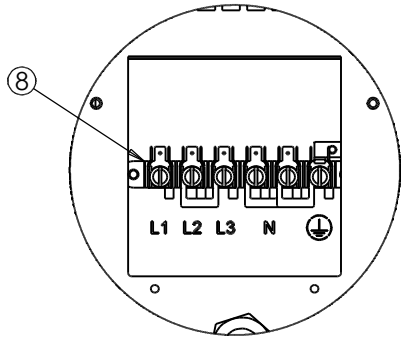
WEIGHT: 1198749.72g



| | | |
|----------------------------|--|----------|
| DRAWN: S.McGUINNESS | PRODUCT E3840 FRYER | |
| DATE: 02/04/12 | TITLE SPARES ELEMENT HOUSING | |
| SCALE: 1:7 | DRAWING NUMBER | ISSUE |
| MATL: | AD49426 | A |
| THICKNESS: | FINISH: | PART No: |
| BIN No: | | |



| ITEM | DESCRIPTION | SPARES No |
|------|------------------------------|-----------|
| 1 | CONTACTOR | 734510010 |
| 2 | FUSE HOLDER | 734310510 |
| 3 | 2 AMP ANTI-SURGE FUSE | 731050002 |
| 4 | 5 AMP ANTI-SURGE FUSE | 536430009 |
| 5 | SOLID STATE POWER SWITCH | 731350024 |
| 6 | | |
| 7 | ROCKER SWITCH (E3840F ONLY) | 732950006 |
| 8 | MAINS TERMINAL BLOCK | 731000006 |
| 9 | MAIN WIRING LOOM (E3840F) | 731390009 |
| 10 | MAIN WIRING LOOM (E3840) | 731390010 |
| 11 | CONTROL WIRING LOOM (E3840F) | 731350028 |
| 12 | CONTROL WIRING LOOM (E3840) | 731350028 |



DETAIL C
VIEW ON REAR

PRODUCTION ISSUE

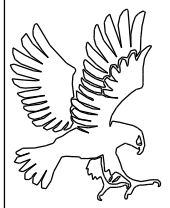
| ISSUE | MOD No | ALTERATION | DRAWN BY | DATE |
|-------|--------|------------------|--------------|----------|
| A | 1336 | PRODUCTION ISSUE | S.McGUINNESS | 28/09/12 |

IF IN DOUBT ASK
DO NOT SCALE
FIRST ANGLE PROJECTION

UNLESS OTHERWISE SPECIFIED:
DIMENSIONS ARE IN MILLIMETERS
TOLERANCES:
LINEAR: ±0.5mm
ANGULAR: ±0.5 DEG

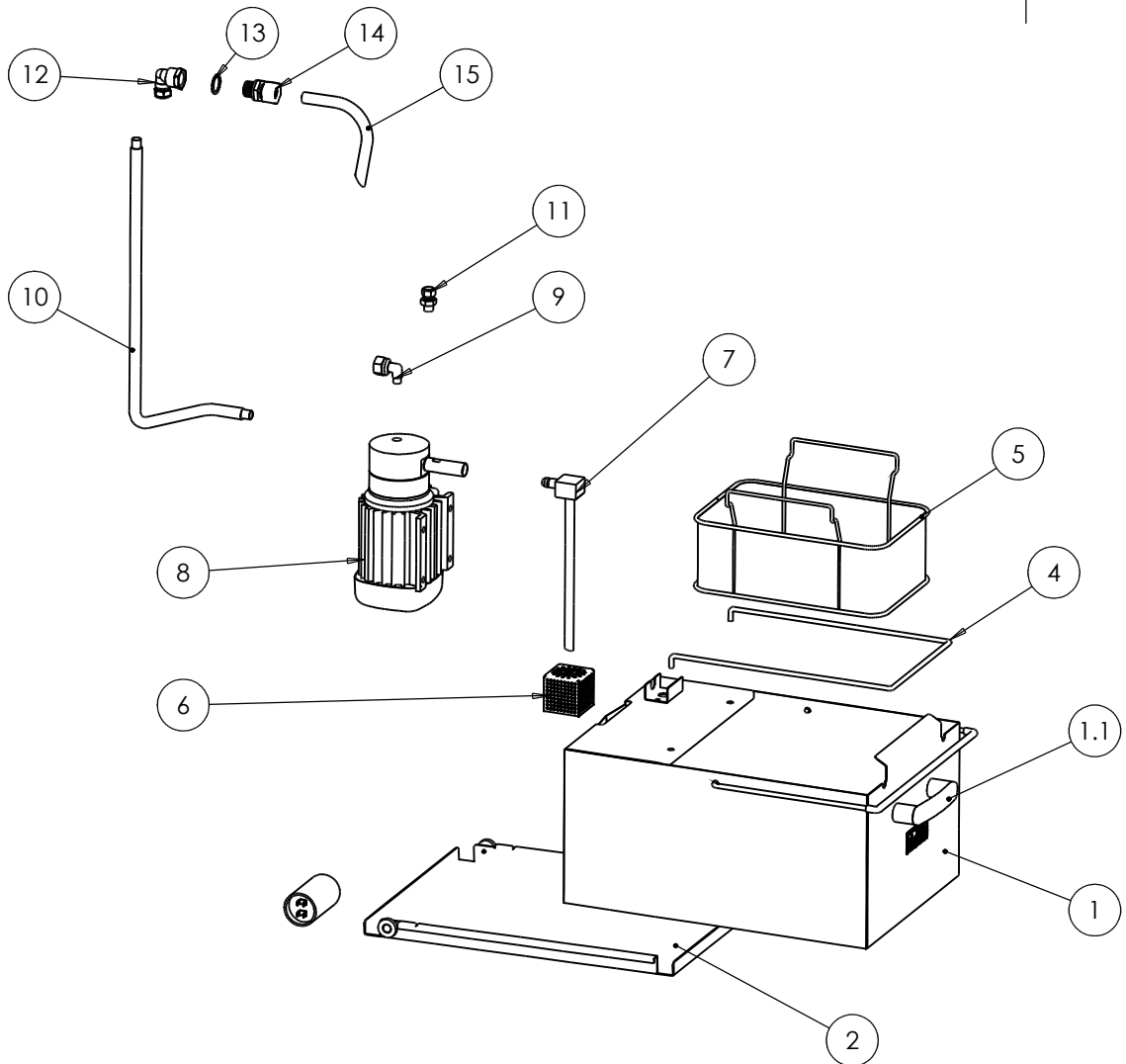
DEBUR AND
BREAK SHARP EDGES

WEIGHT: 1206948.05g



| | | | |
|----------------------------|----------------|-------------------------|----------|
| DRAWN: S.McGUINNESS | PRODUCT | E3840/F FRYER | |
| DATE: 02/04/12 | TITLE | SPARES ELECTRICS | |
| SCALE: 1:3 | DRAWING NUMBER | AD49427 | ISSUE |
| MATL: | FINISH: | | A |
| THICKNESS: | PART No: | | |
| BIN No: | | | |

© NO REPRODUCTION OR PUBLICATION OF THIS DRAWING MAY BE MADE AND NO ARTICLE MAY BE MANUFACTURED OR ASSEMBLED IN ACCORDANCE WITH THIS DRAWING WITHOUT PRIOR WRITTEN CONSENT. THIS PROHIBITION IS A TERM OF ANY CONTRACT RELATING TO THIS DRAWING. RIGHTS RESERVED UNDER THE COPYRIGHT ACT 1956 AS AMENDED BY THE DESIGN COPYRIGHT ACT 1968



| ITEM | DESCRIPTION | SPARES No |
|------|-------------------------------|-----------|
| 1 | OIL CONTAINER ASSEMBLY | 731350029 |
| 1.1 | OIL CONTAINER HANDLE | 731350030 |
| 2 | OIL CONTAINER CARRIER | 535770028 |
| 3 | FINE MESH FILTER, NOT SHOWN | 737101159 |
| 4 | FINE MESH FILTER WIRE SUPPORT | 737101143 |
| 5 | BASKET FILTER | 535770032 |
| 6 | SUCTION PIPE FILTER | 731350032 |
| 7 | OIL PICK UP PIPE | 731350052 |
| 8 | OIL PUMP C/W SCREWS | 535770077 |
| 9 | PUMP ELBOW | 731350055 |
| 10 | OIL RETURN PIPE FLEXIBLE | 731350040 |
| 11 | OIL RETURN PIPE COUPLING | 731350071 |
| 12 | OIL RETURN ELBOW | 731350066 |
| 13 | OIL RETURN PIPE GASKET | 731350042 |
| 14 | OIL RETURN COUPLING | 731350043 |
| 15 | OIL RETURN PIPE | 731350044 |

PRODUCTION ISSUE

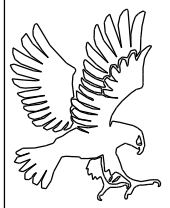
| ISSUE | MOD No | ALTERATION | DRAWN BY | DATE |
|-------|--------|------------------|--------------|----------|
| A | 1336 | PRODUCTION ISSUE | S.McGUINNESS | 28/09/12 |
| B | 7826 | ITEMS UPDATED | F.GARVOCK | 22/03/17 |

IF IN DOUBT ASK
DO NOT SCALE
FIRST ANGLE PROJECTION

UNLESS OTHERWISE SPECIFIED:
DIMENSIONS ARE IN MILLIMETERS
TOLERANCES:
LINEAR: ±0.5mm
ANGULAR: ±0.5 DEG

DEBUR AND
BREAK SHARP EDGES

WEIGHT: 1213134.57g



| | | |
|----------------------------|--------------------------|----------------|
| DRAWN: S.McGUINNESS | PRODUCT | |
| DATE: 03/04/12 | E3840/F FRYER | |
| SCALE: 1:20 | TITLE | |
| | SPARES FILTRATION | |
| MATL: | DRAWING NUMBER | ISSUE |
| THICKNESS: | FINISH: | AD49428 |
| BIN No: | PART No: | B |

© NO REPRODUCTION OR PUBLICATION OF THIS DRAWING MAY BE MADE AND NO ARTICLE MAY BE MANUFACTURED OR ASSEMBLED IN ACCORDANCE WITH THIS DRAWING WITHOUT PRIOR WRITTEN CONSENT. THIS PROHIBITION IS A TERM OF ANY CONTRACT RELATING TO THIS DRAWING. RIGHTS RESERVED UNDER THE COPYRIGHT ACT 1956 AS AMENDED BY THE DESIGN COPYRIGHT ACT 1968