



## **DOMINATOR***PLUS*

# *E3925 Electric Chargrill*

### Key features

- Two independently-controlled elements heat up quickly
  - Switch on as and when required, saving energy
  - Only use one side during quieter periods
- Cook directly on element
  - Delivers branding marks expected of chargrilling
  - Provides even cooking across the entire cooking area
- Removable grease container needs no water
  - No having to separate grease and water for disposal
- Magnetic sidescreens can be removed
  - Easy to clean
- Upward swivel element
  - Makes it much easier and safer to clean
- Supplied with easy-clean lining sheets
  - Simple to locate and even easier to clean
- Laser-etched control icons
  - Permanent, indelible markings

### Accessories

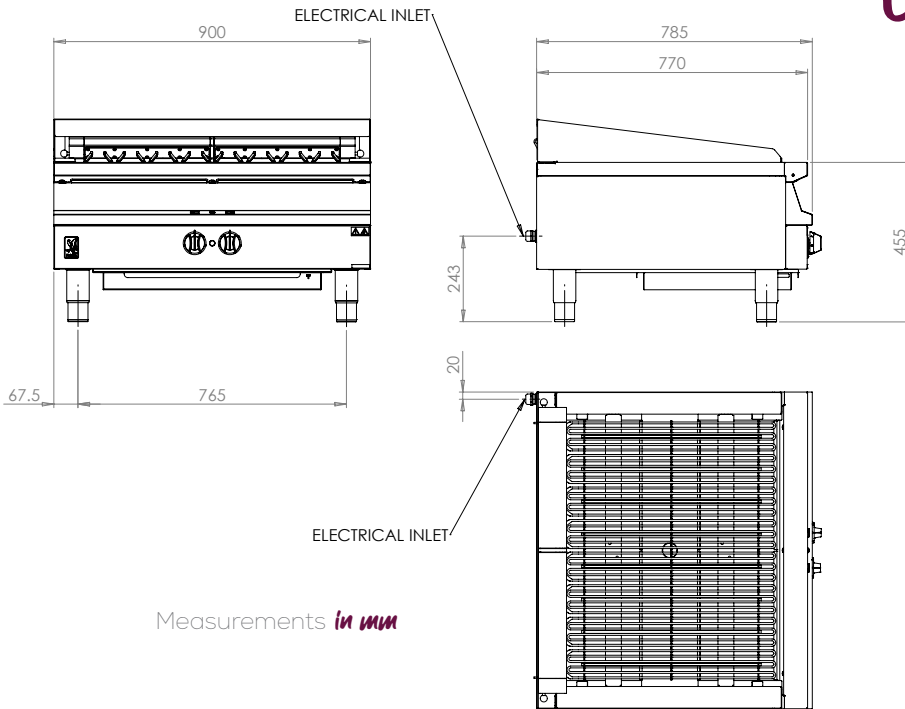
- Fixed stand
- Factory fitted, adjustable castors
- High capacity grease collection system
- Fixed installation kit

### Similar Models

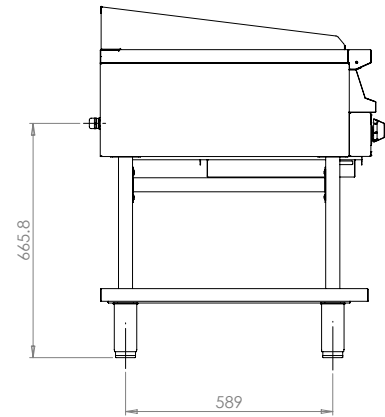
- E3625 Electric chargrill
- E9490 Electric chargrill
- E9460 Electric chargrill



## Electric Chargrill



Measurements *in mm*



Unit on fixed or mobile stand is the same hob height

## Specification details

Electrical rating (kW)	13.44
Electrical supply voltage	400V 3N~
Required electrical supply (A)	32
Electrical current split (A)	L1: 15 L2: 22 L3: 22
Weight (kg)	62
Weight on stand (kg)	92
Packed weight (kg)	75
Packed dimensions (w x d x h - mm)	1000 x 1000 x 700
GTIN number	5056466900946

## Installation notes

Adequate ventilation must be provided to supply sufficient fresh air and to allow easy removal of any such products that may present a risk to health. Please consult current legislation for details that relate to specific locations.

Install unit on a level, fireproof surface in a well-lit position. A clearance of 150mm should be observed between appliance and any combustible wall. Please consult the appliance installation manual for further details.

