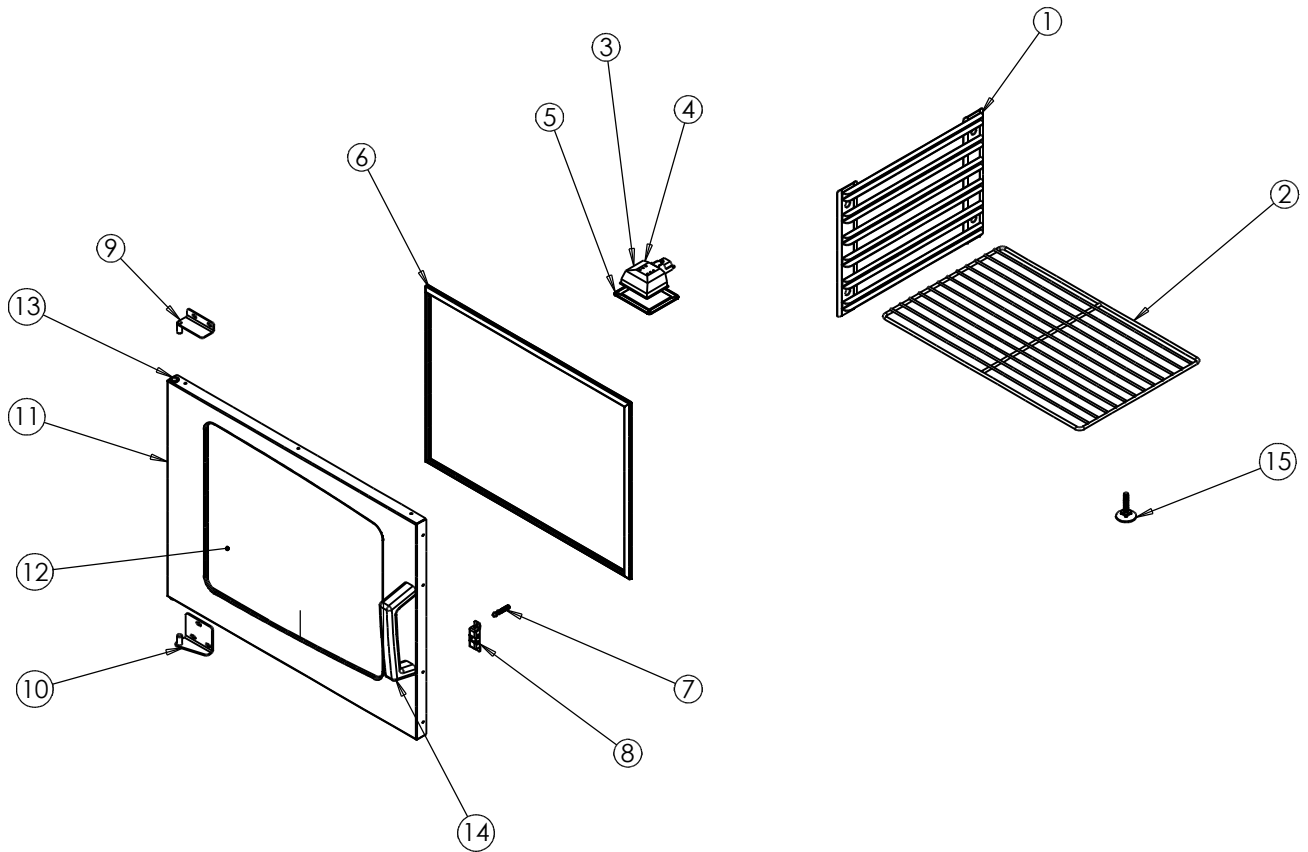


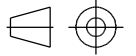
ITEM	SPARES No	DESCRIPTION
1	732950009	SHELF HANGER
2	732950016	GRID SHELF
3	732910390	OVEN LAMP ASSEMBLY
4	732910350	OVEN LAMP BODY
5	731740352	OVEN LAMP LENS
6	732950010	DOOR SEAL
7	731910670	DOOR KEEPER STUD
8	731910370	DOOR CATCH
9	732950011	TOP DOOR HINGE
10	732950012	BOTTOM DOOR HINGE
11	732950013	DOOR ASSEMBLY
12	732910260	DOOR GLASS
13	732950014	DOOR HINGE BUSH SET (2)
14	731303025	DOOR HANDLE
15	732950015	FOOT SET (4)



# Production

ISSUE	MOD No	ALTERATION	DRAWN BY	DATE
A	1239	ISSUED FOR PRODUCTION	I.HAMILTON	21-10-10

© NO REPRODUCTION OR PUBLICATION OF THIS DRAWING MAY BE MADE AND NO ARTICLE MAY BE MANUFACTURED OR ASSEMBLED IN ACCORDANCE WITH THIS DRAWING WITHOUT PRIOR WRITTEN CONSENT. THIS PROHIBITION IS A TERM OF ANY CONTRACT RELATING TO THIS DRAWING. RIGHTS RESERVED UNDER THE COPYRIGHT ACT 1956 AS AMENDED BY THE DESIGN COPYRIGHT ACT 1968

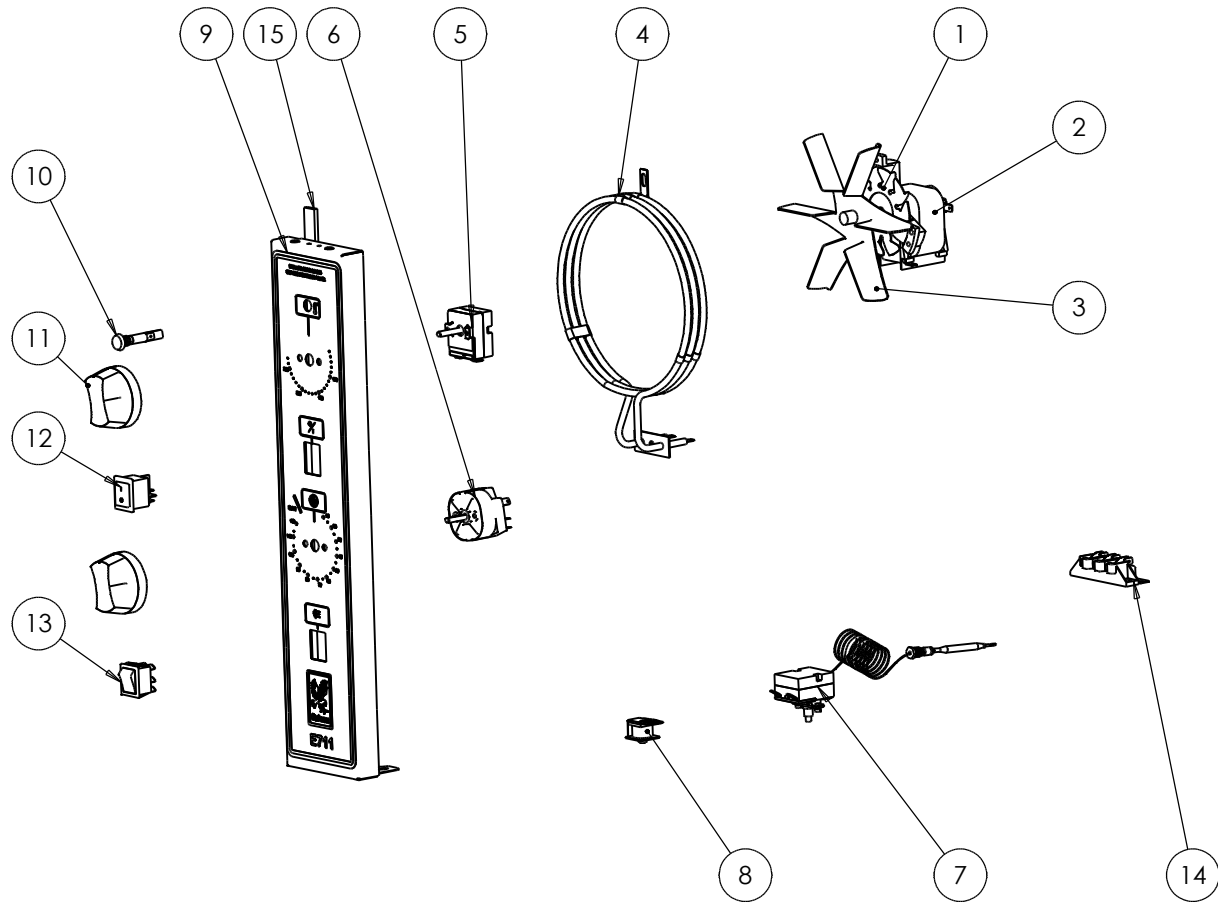
**IF IN DOUBT ASK DO NOT SCALE**  
 FIRST ANGLE PROJECTION  
  

 UNLESS OTHERWISE SPECIFIED:  
 DIMENSIONS ARE IN MILLIMETERS  
 TOLERANCES:  
 LINEAR: ±0.5mm  
 ANGULAR: ±0.5 DEG  
 DEBUR AND BREAK SHARP EDGES  
 WEIGHT: 8675.65g



DRAWN: <b>I.HAMILTON</b>	PRODUCT <b>E711 CONVECTION OVEN</b>	
DATE: <b>21-10-10</b>	TITLE <b>SPARES DIAGRAM - FITMENTS</b>	
SCALE: <b>1:10</b>	DRAWING NUMBER	ISSUE
MATL:	<b>AB47762</b>	<b>A</b>
THICKNESS:		
BIN No:	PART No:	

ITEM	SPARES No	DESCRIPTION
1	732950000	FAN MOTOR C/W IMPELLOR
2	732950001	FAN MOTOR
3	732950002	FAN IMPELLOR
4	732910290	OVEN ELEMENT 230V
5	535500039	OVEN THERMOSTAT
6	732910414	TIMER
7	732910406	OVEN SAFETY THERMOSTAT
8	734510130	BUZZER
9	732950004	CONTROL PANEL
10	730962040	AMBER NEON
11	732950005	CONTROL KNOB
12	730910020	ON/OFF SWITCH
13	536380008	LIGHT SWITCH
14	732910270	TERMINAL BLOCK
15	732950008	CONTROL PANEL SEAL



# PRODUCTION ISSUE

ISSUE	MOD No	ALTERATION	DRAWN BY	DATE
A	1239	PRODUCTION ISSUE	F.GARVOCK	08/06/16
B	7624	SPARES NUMBERS UPDATED	F.GARVOCK	08/06/16

IF IN DOUBT ASK  
DO NOT SCALE  
FIRST ANGLE PROJECTION

UNLESS OTHERWISE SPECIFIED:  
DIMENSIONS ARE IN MILLIMETERS  
TOLERANCES:  
LINEAR: ±0.5mm  
ANGULAR: ±0.5 DEG

DEBUR AND  
BREAK SHARP EDGES

WEIGHT: 2769.67g



DRAWN: <b>I.HAMILTON</b>	PRODUCT <b>E711 CONVECTION OVEN</b>	
DATE: <b>21-10-10</b>	TITLE <b>SPARES DIAGRAM - CONTROLS</b>	
SCALE: <b>1:20</b>	DRAWING NUMBER	ISSUE
MATL:	<b>AB47761</b>	<b>B</b>
THICKNESS:		
BIN No:	PART No:	