

**F900** SERIES



**E9342, E9342F, E9342B2, E9342F2 Fryers**

## Spares Information



*E9342F Model*

E9342-E9342F-E9342B2-E9342F2-Spares-0122

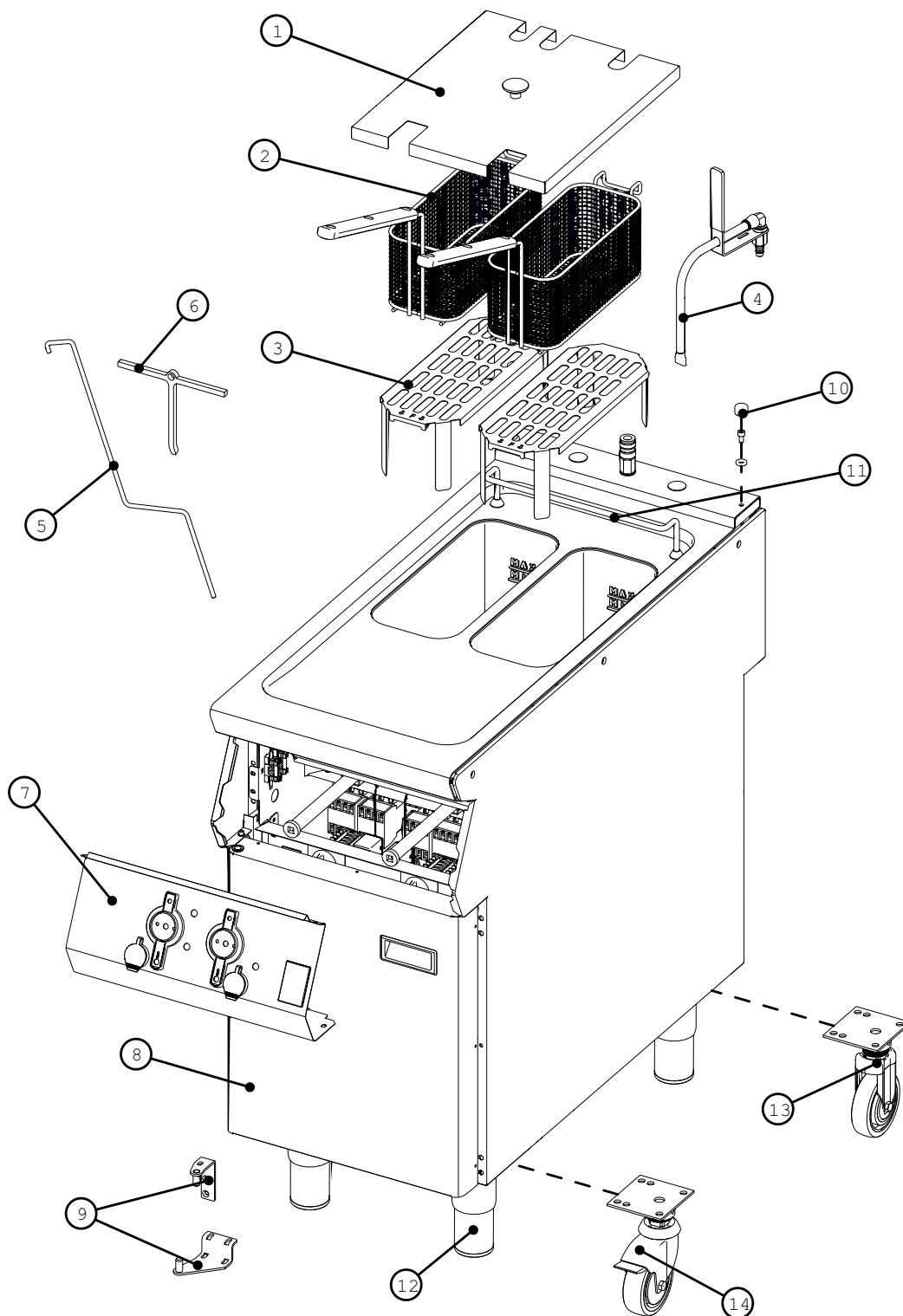
### **Falcon Foodservice Equipment**

Wallace View, Hillfoots Road, Stirling FK9 5PY t: +44 (0) 1786 455 200

info@falconfoodservice.com [www.falconfoodservice.com](http://www.falconfoodservice.com)

## E9342, E9342F, E9342B2, E9342F2 Fryers

### Fitments and Main Body



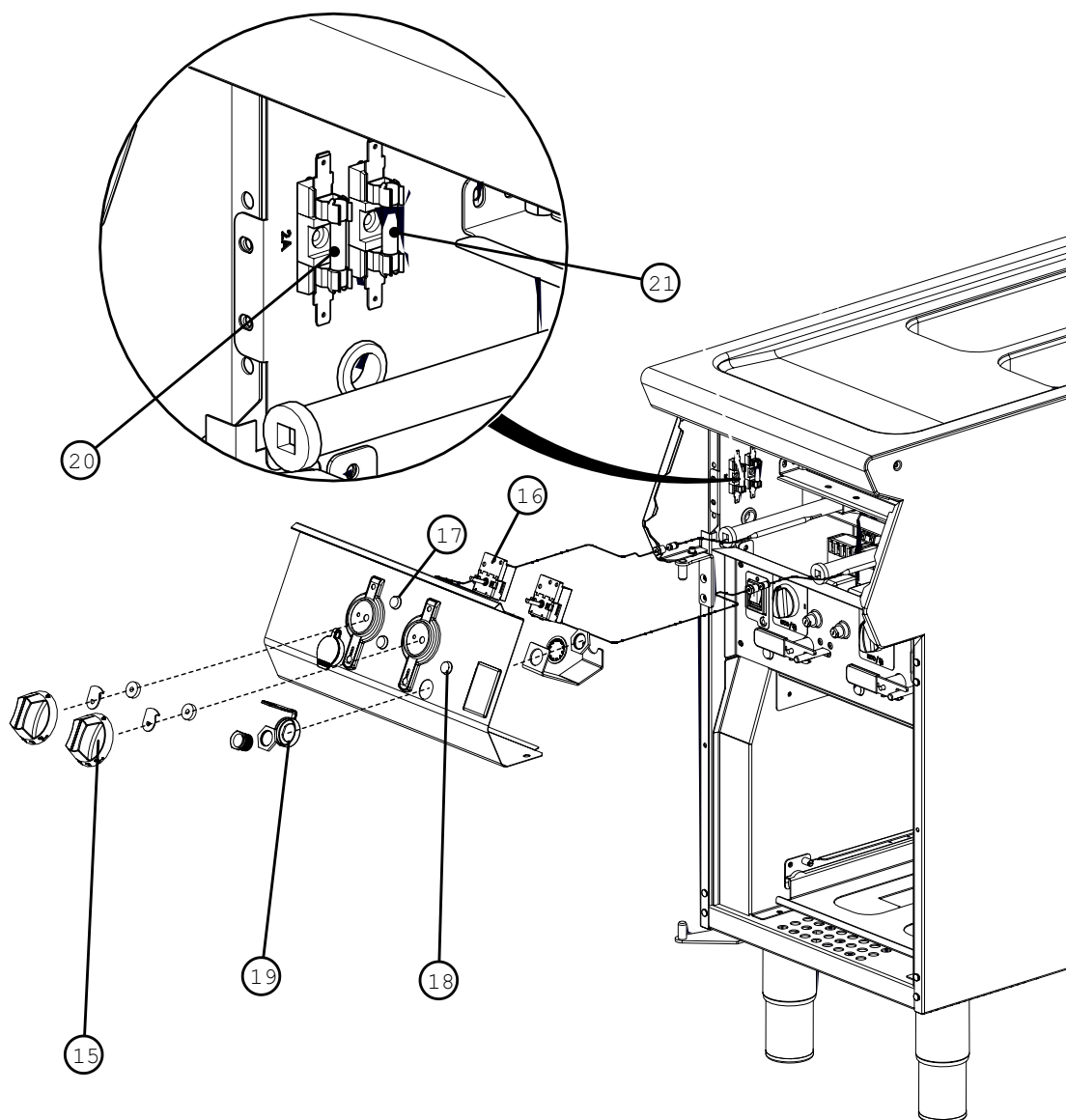


## Fitments and Main Body

<u>Item</u>	<u>Description</u>	<u>Spares No.</u>	<u>Part No.</u>
1.	Dust cover	733510000	690246
2.	Basket	733510001	RA9344
3.	Fry plate	733510002	T703924
4.	Oil return pipe assembly	733500003	690170
5.	Drain prod / lifting / scraping tool	733500020	RA9353
6.	Element turn key	733510012	RA9435
7.	Control panel	733510003	690257
8.	Door assembly c/w hinges	733510004	880386
9.	Hinge kit	733500005	690153
10.	Screw cap kit	533550009	690049
11.	Basket hanger kit	733500006	690197
12.	Adjustable leg ( <i>stainless steel</i> )	535480067	R6827
13.	Fixed castor ( <i>set of 2</i> )	530964340	600284
14.	Swivel castors ( <i>set of 2</i> )	535400222	600286

## E9342, E9342F, E9342B2, E9342F2 Fryers

### Controls 1



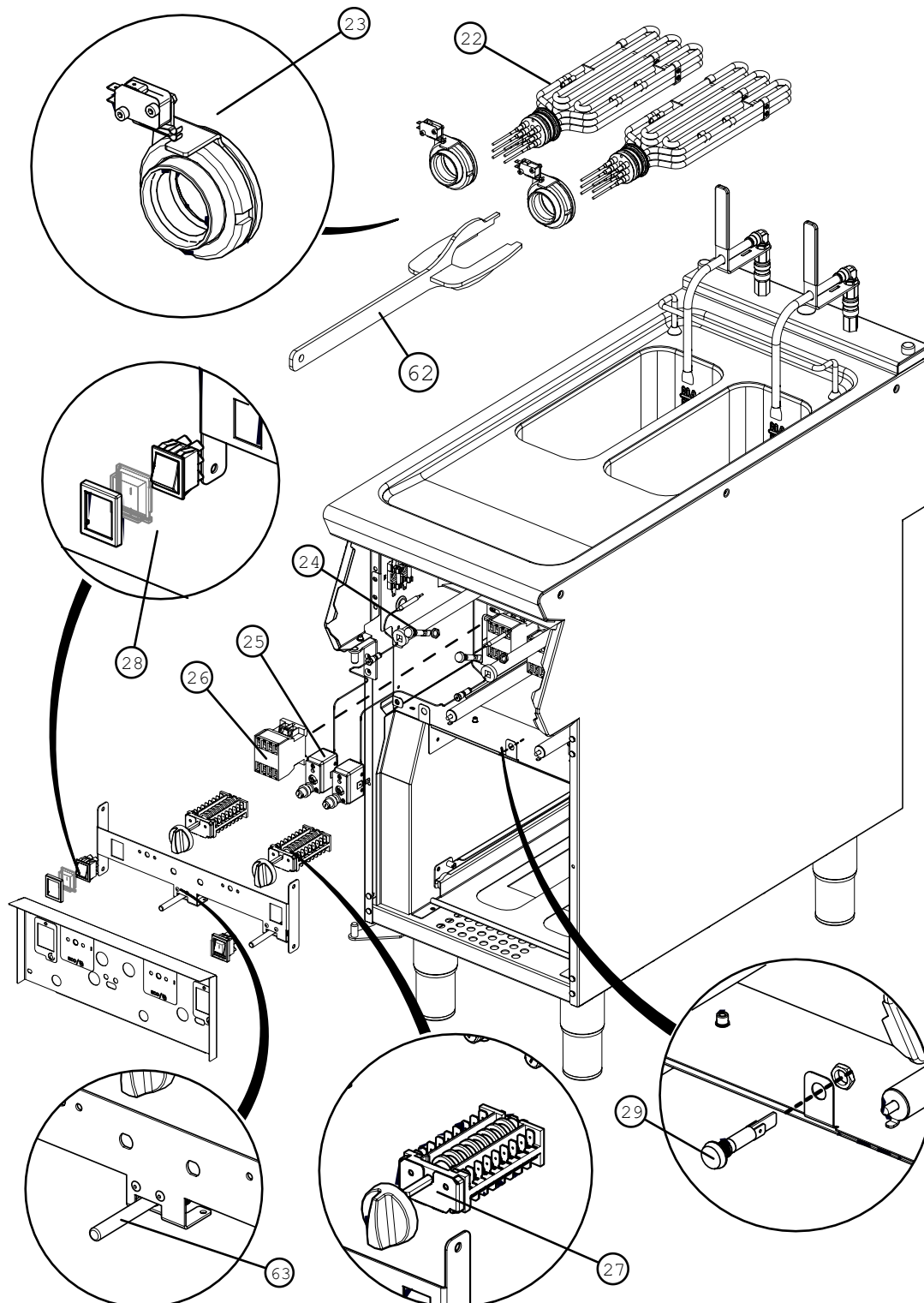


## Controls 1

<u>Item</u>	<u>Description</u>	<u>Spares No.</u>	<u>Part No.</u>
15.	Control knob	733510005	RA9262
16.	Operating thermostat kit	733500019	690211
17.	Mains pilot light ( <i>red</i> )	730962010	RA9249
18.	Circuit pilot light ( <i>amber</i> )	730962040	RA9250
19.	Sealing cap	733510013	RA9321
20.	Fuse 2A	734243006	R2292
21.	Fuse 5A	536430009	R5524

## E9342, E9342F, E9342B2, E9342F2 Fryers

### Controls 2



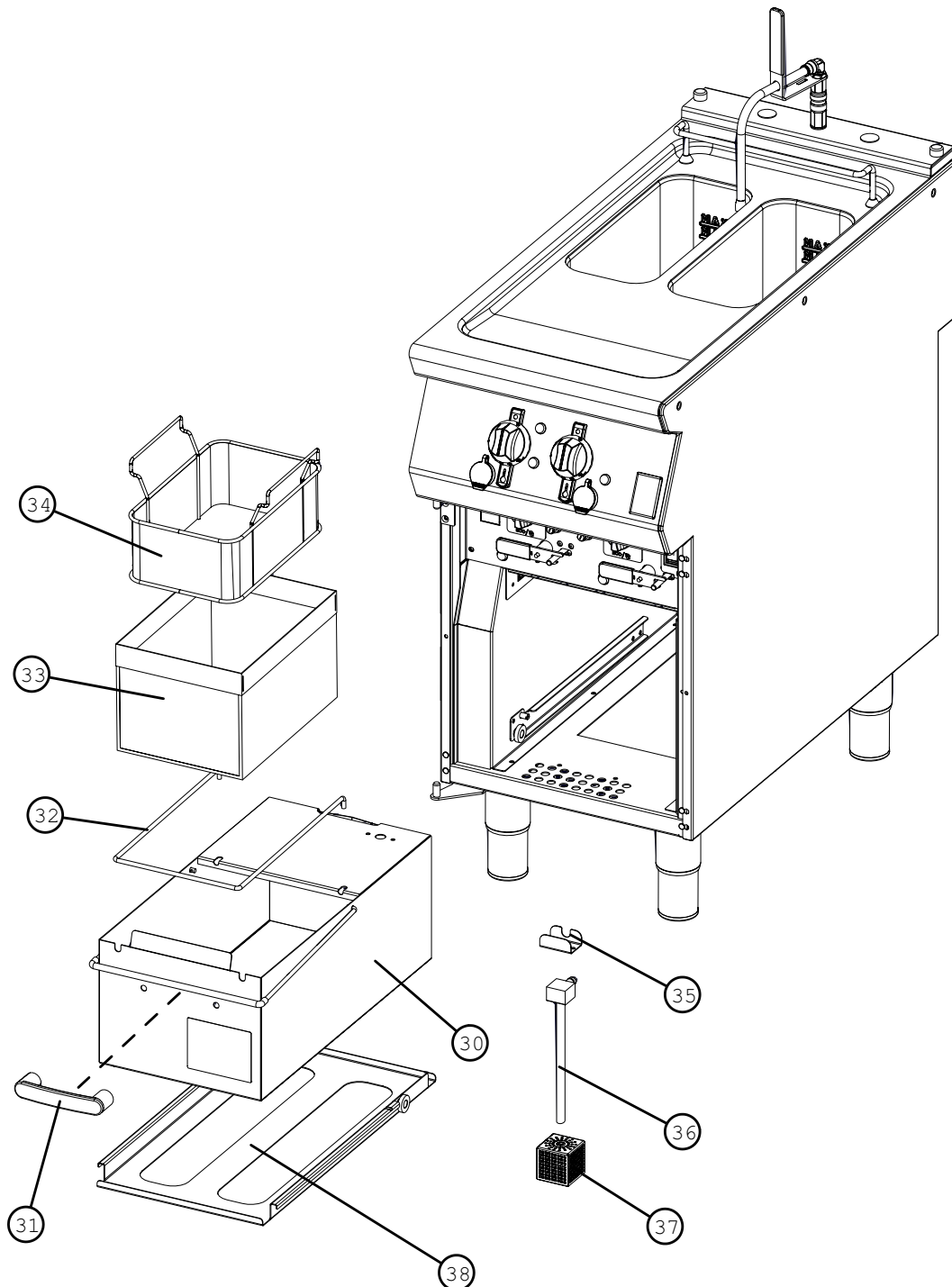


## Controls 2

<u>Item</u>	<u>Description</u>	<u>Spares No.</u>	<u>Part No.</u>
22.	Element c/w microswitch kit	733510006	690258
23.	Microswitch kit	733510009	RA9368
24.	Element rotating rod assembly	733510007	690239
25.	Safety thermostat kit	733510008	RA9407
26.	Contactor	734310440	R6160
27.	Mode control switch kit c/w knob	733500017	690177
28.	Rocker switch kit	733500013	690175
29.	Circuit pilot light (amber)	730962040	RA9250
62.	Element removal device	733510015	T703941
63.	Drain lock pin & spring	733510016	

## E9342 and E9342F Fryers

### Oil Container





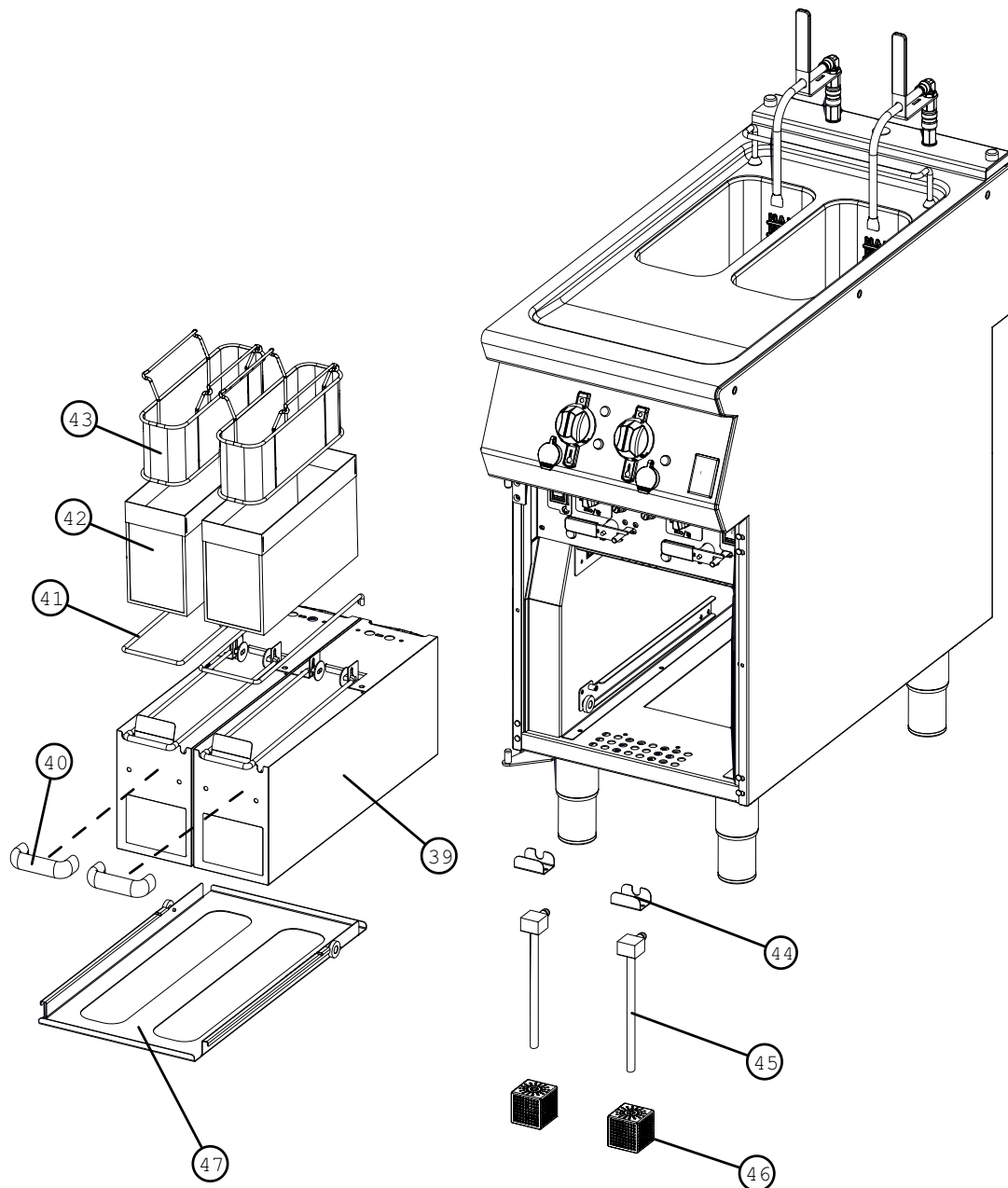


## Oil Container

<u>Item</u>	<u>Description</u>	<u>Spares No.</u>	<u>Part No.</u>
30.	Oil container c/w handle	533500007	690085
31.	Oil container handle	733500008	690173
32.	Fine mesh wire support	737101143	R5848
33.	Fine mesh filter	737101159	R5847A
34.	Filtration Basket	535770032	R6638
35.	Oil pick up pipe bracket	733500009	690174
36.	Oil pick up pipe	536300053	R6470
37.	Suction pipe filter	731350032	T423210
38.	Oil container carrier	733500010	T703045

## E9342B2 and E9342F2 Fryers

### Oil Container



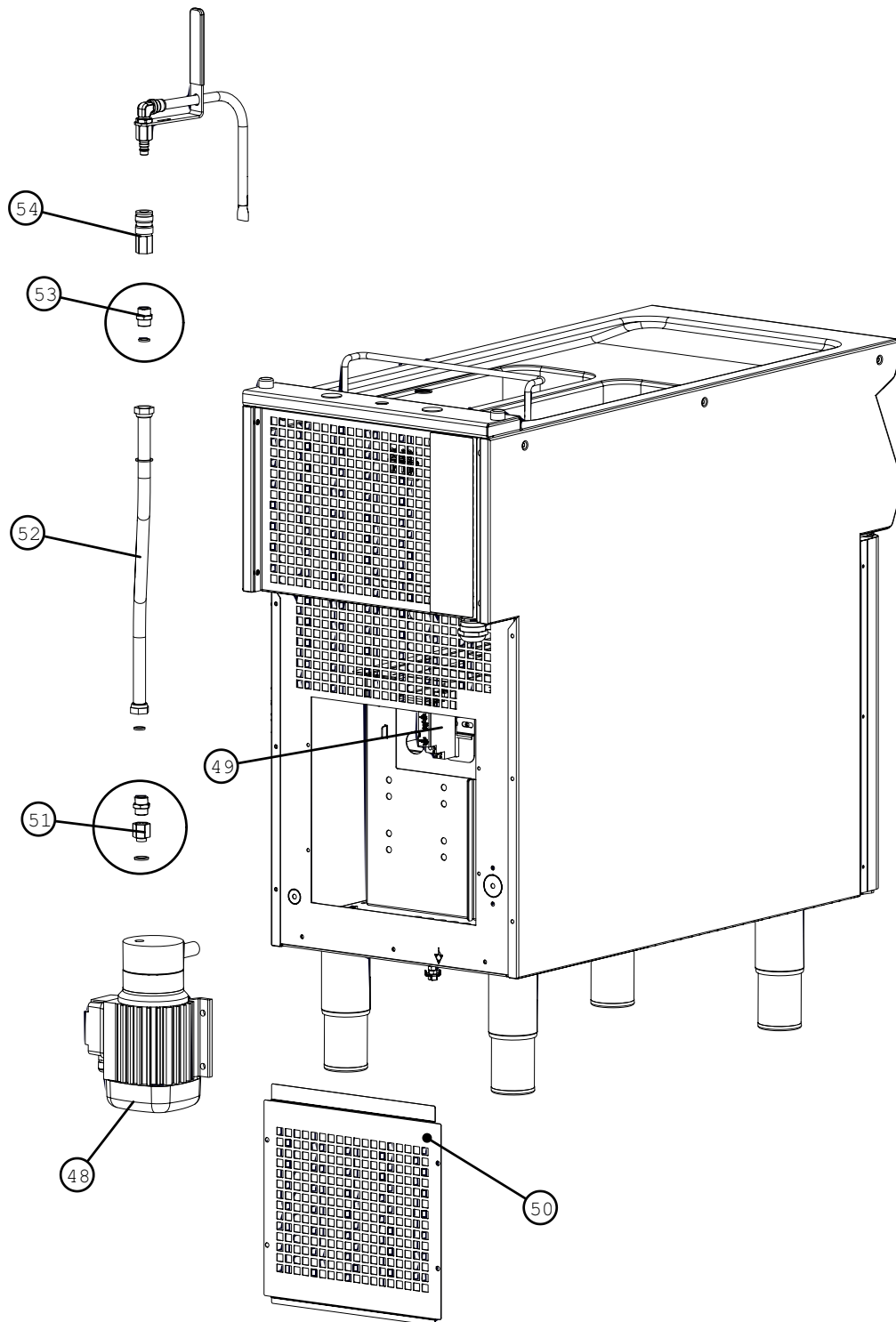


## Oil Container

<u>Item</u>	<u>Description</u>	<u>Spares No.</u>	<u>Part No.</u>
39.	Oil container c/w handle	733510010	690259
40.	Oil container handle	733510011	690260
41.	Fine mesh wire support	535580039	R6774
42.	Fine mesh filter	535580038	R6773
43.	Filtration basket	535580037	R6772
44.	Oil pick up bracket	733500009	690174
45.	Oil pick up pipe	536300053	R6470
46.	Suction pipe filter	731350032	T423210
47.	Oil container carrier	733500010	T703045

## E9342 and E9342F Fryers

### Pump Fittings



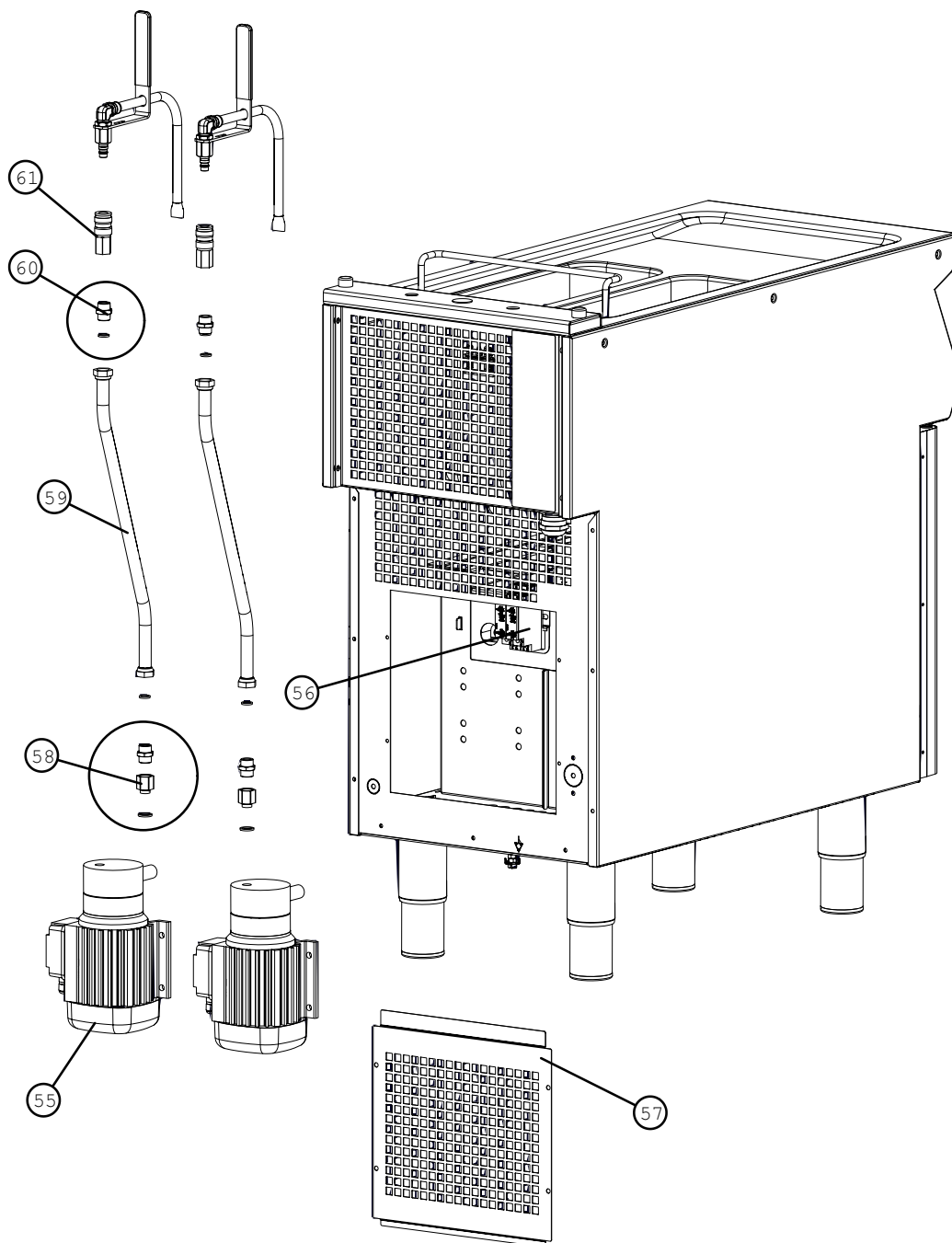


## Pump Fittings

<u>Item</u>	<u>Description</u>	<u>Spares No.</u>	<u>Part No.</u>
48.	Oil pump c/w screws	535770077	609942
49.	Pump timer	536470007	R5413
50.	Rear access panel	533500012	T703051
51.	Pump to pipe fixings	535770210	608138
52.	Flexi hose c/w seals	535770111	802085
53.	Pipe to quick release fixings	733500018	690178
54.	Quick release connection	737401235	R6273

## E9342B2 and E9342F2 Fryers

### Pump Fittings



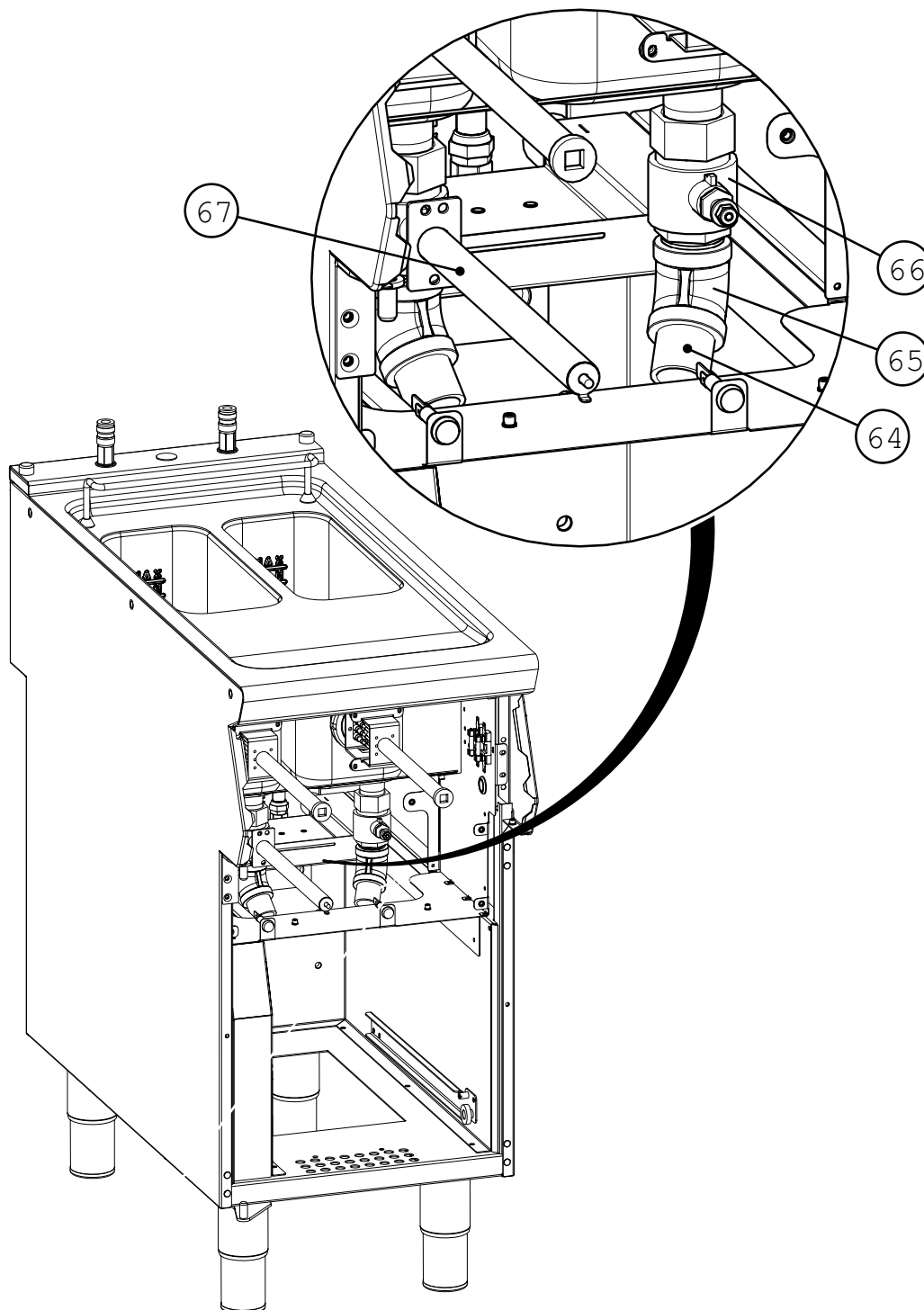


## Pump Fittings 2

<u>Item</u>	<u>Description</u>	<u>Spares No.</u>	<u>Part No.</u>
55.	Oil pump c/w screws	535770077	609942
56.	Pump timer	536470007	R5413
57.	Rear access panel	533500012	T703051
58.	Pump to pipe fixings	535770210	608138
59.	Flexi hose c/w seals	535770111	802085
60.	Pipe to quick release fixings	733500018	690178
61.	Quick release connection	737401235	R6273

## E9342, E9342F, E9342B2, E9342F2 Fryers

### Drain Valve Details







## Drain Valve Details

<u>Item</u>	<u>Description</u>	<u>Spares No.</u>	<u>Part No.</u>
64.	Drain Boss	733500030	R5112
65.	Elbow	733500031	RA9369
66	Drain valve	534510060	R3611
67	Drain turn rod c/w stop & washer	733500032	