

F900 SERIES



E9646 Chip Scuttle

Spares Information



E9646-Spares-0316

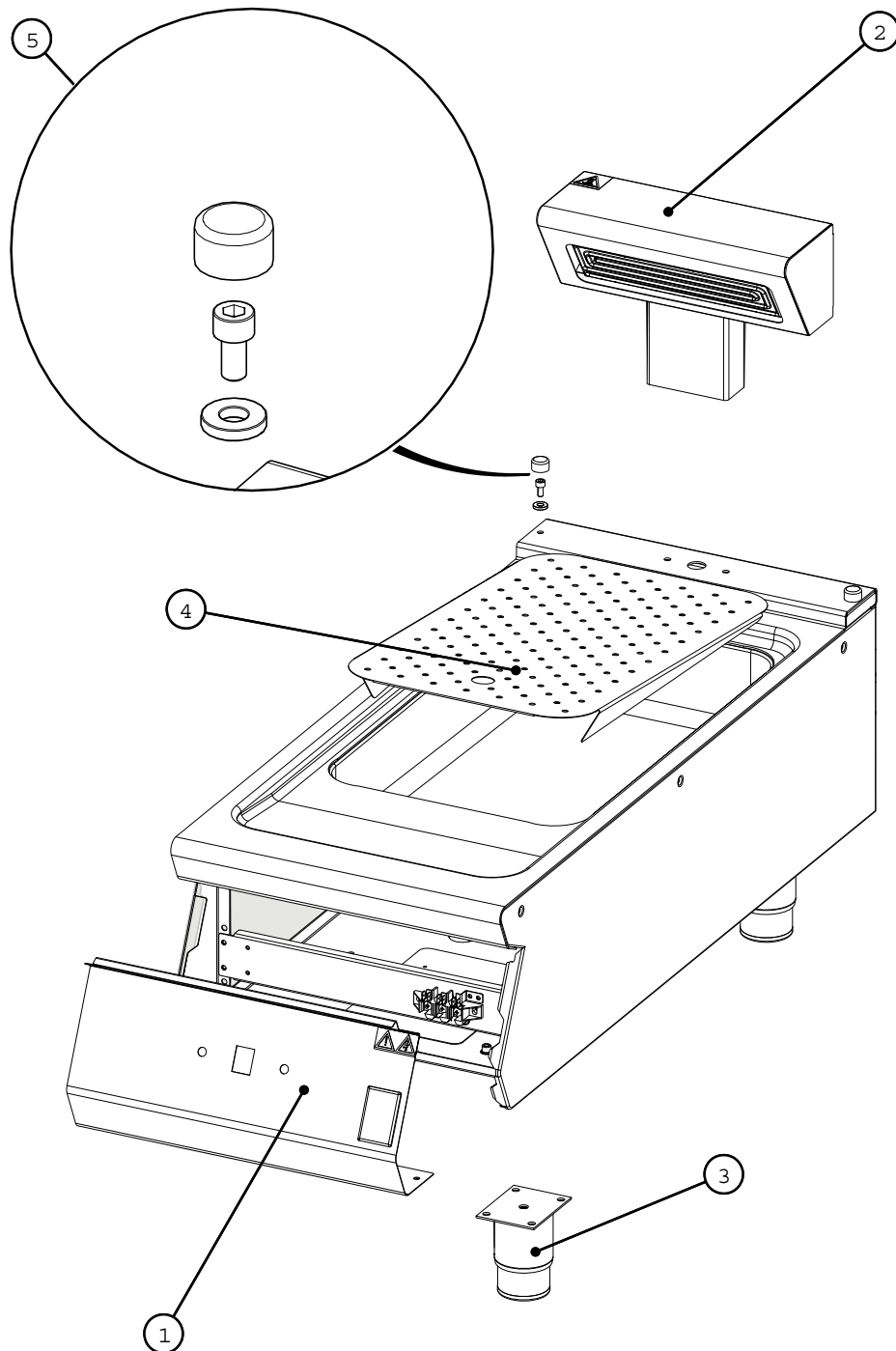
Falcon Foodservice Equipment

Wallace View, Hillfoots Road, Stirling FK9 5PY t: +44 (0) 1786 455 200 f: 08000 275 595
info@falconfoodservice.com www.falconfoodservice.com

F900 SERIES

E9241 Pasta Cooker

Fitments





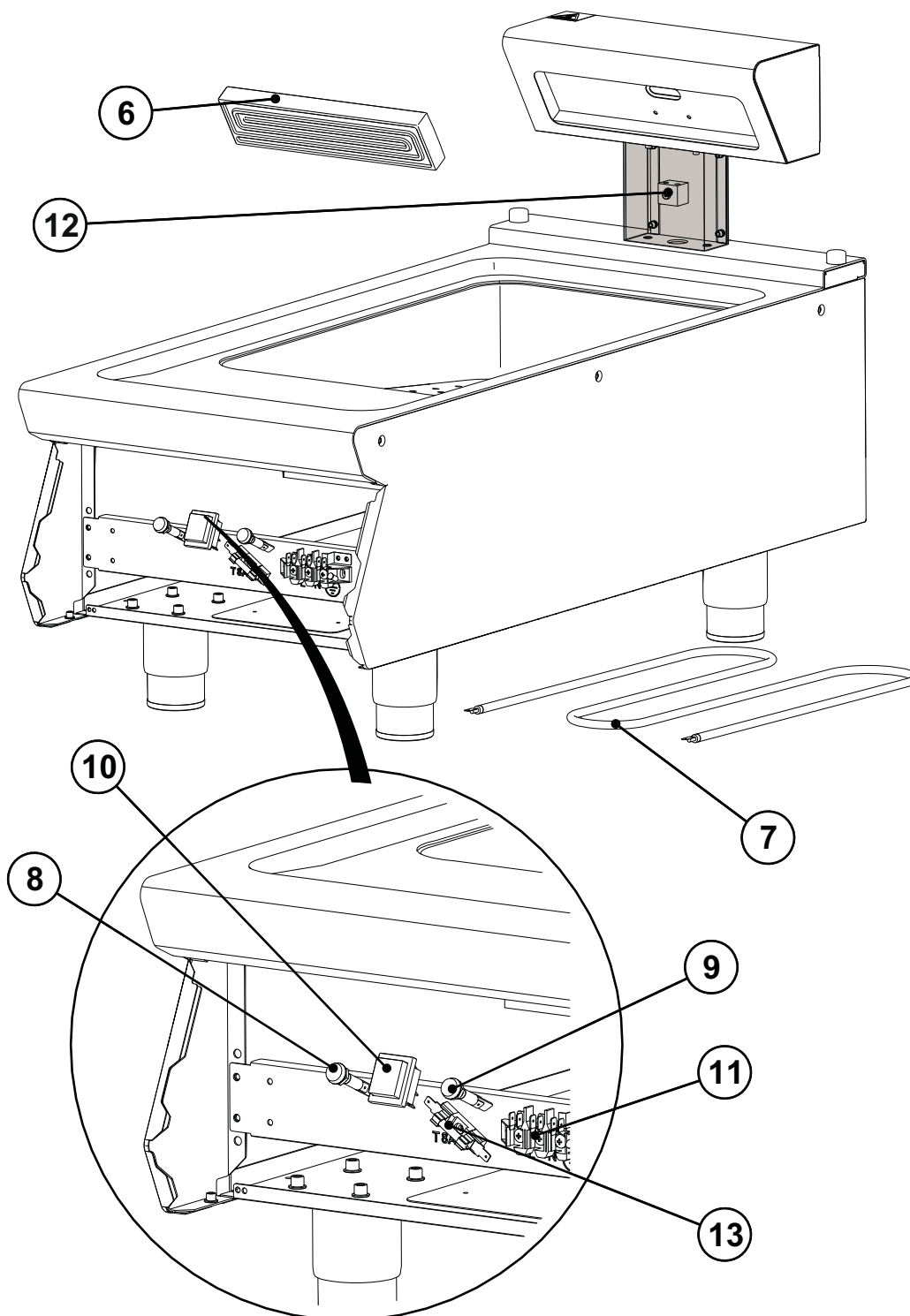
Fitments

Item	Description	Spares No.	Part No.
1.	Control panel	733960000	690126
2.	Heat lamp assembly	733960002	900007
3.	Adjustable feet (stainless steel)	535150025	R6377
4.	Container plate	733960001	T703614
5.	Screw cap kit	533550009	690049

F900 SERIES

E9646 Chip Scuttle

Controls





Controls

Item	Description	Spares No.	Part No.
6.	Infra-red ceramic heater (500W)	735700022	R5219
7.	HS element (500W)	730910190	R6130
8.	Mains pilot light (Red)	730962010	RA9249
9.	Circuit pilot light (Amber)	730962040	RA9250
10.	On/off switch	732010360	R7040
11.	Mains terminal (3 way)	732910270	R7513
12.	Terminal block	734060004	R7044
13.	Fuse (8A)	732920068	R5728