

F900 SERIES



E9941 Flexi Pan

Spares Information



E9941-Spares-0119

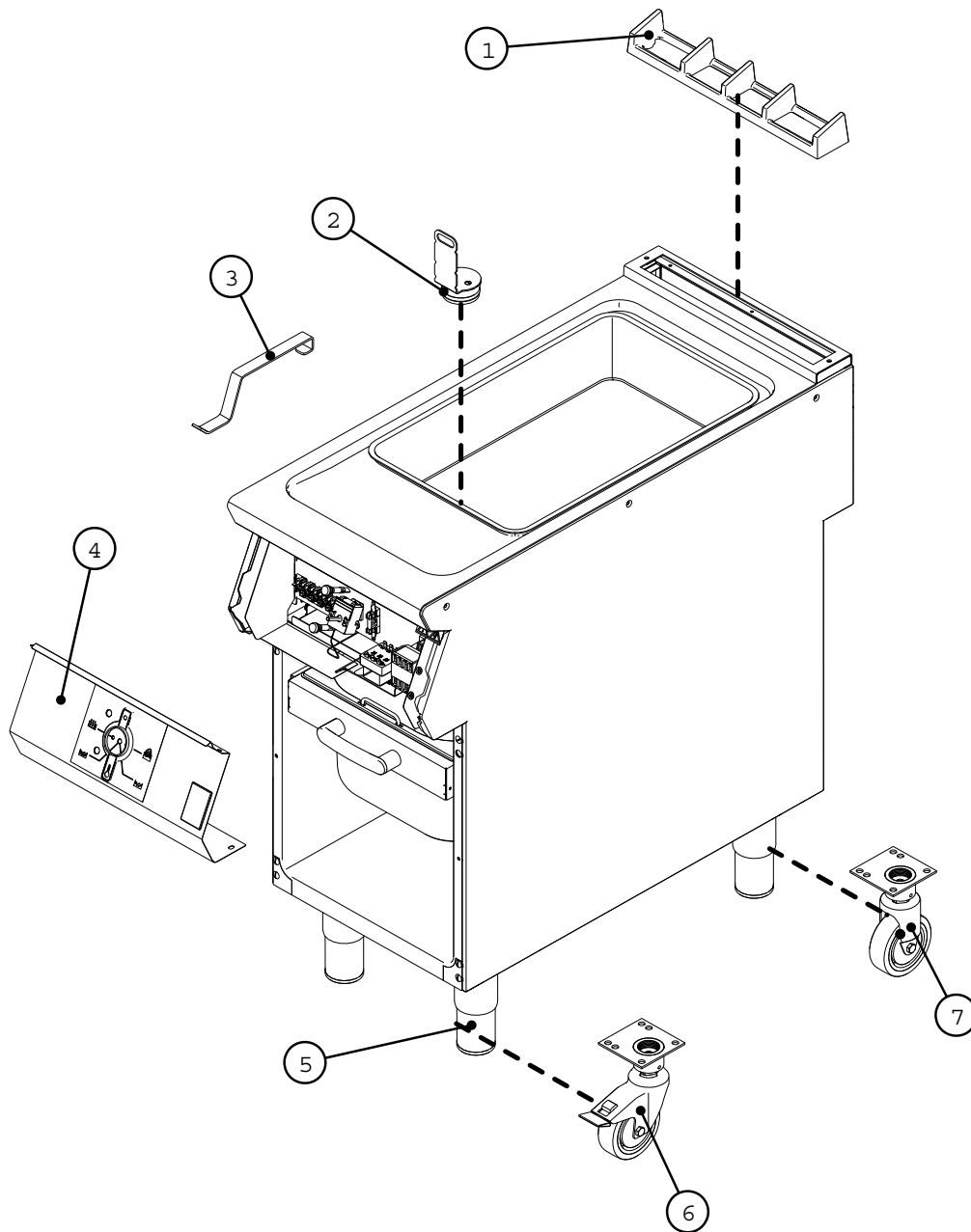
Falcon Foodservice Equipment

Wallace View, Hillfoots Road, Stirling FK9 5PY t: +44 (0) 1786 455 200 f: 08000 275 595
info@falconfoodservice.com www.falconfoodservice.com

F900 SERIES

E9941 Flexi Pan

Common Fitments





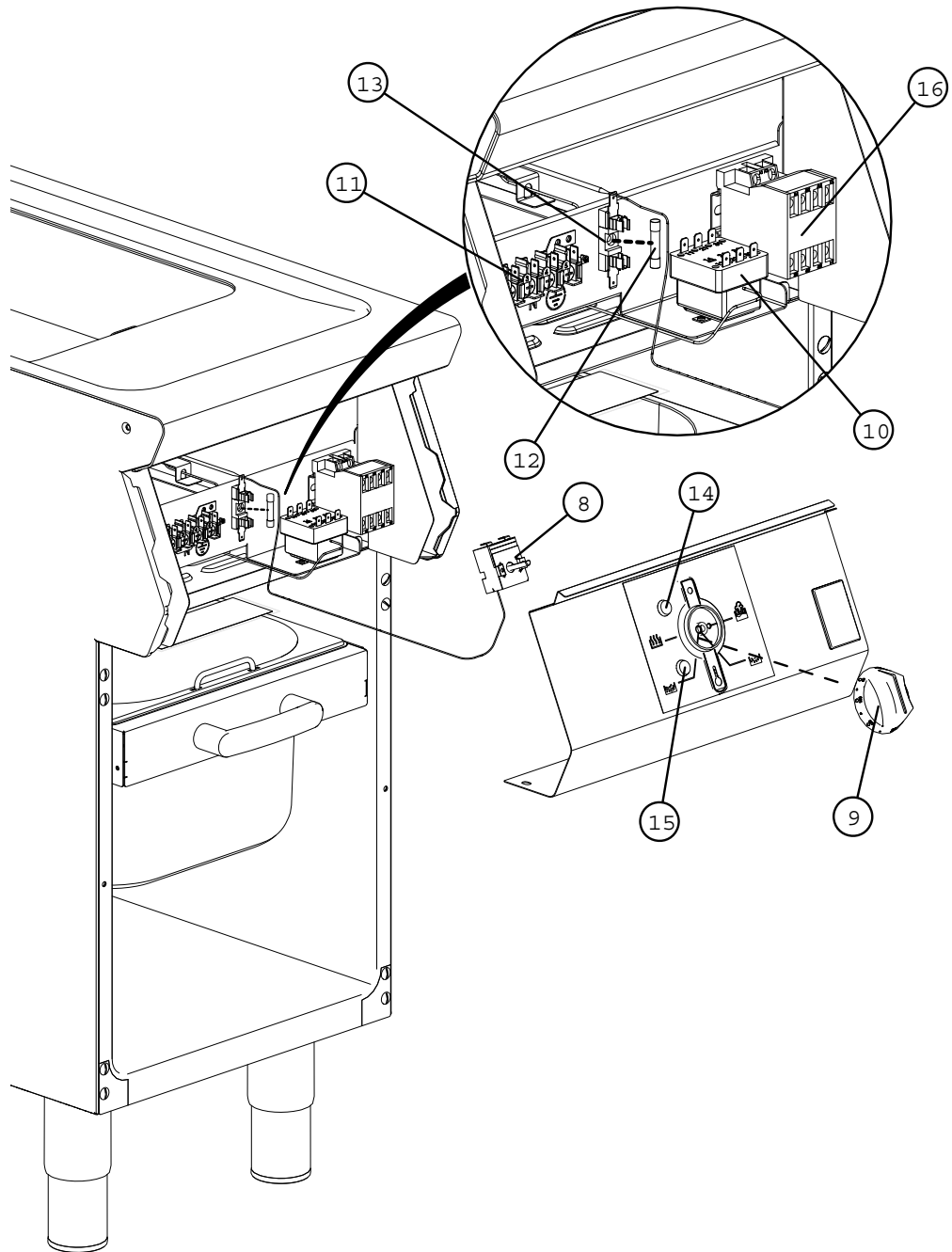
Common Fitments

<u>Item</u>	<u>Description</u>	<u>Spares No.</u>	<u>Part No.</u>
1.	400mm flue capper	533400019	RT704001
2.	Drain plug	733700007	880212
3.	Plug removal tool	733700008	690214
4.	Control panel	733950000	690121
5.	Adjustable leg (150mm)	535480067	R6287
6.	Swivel castors (set of 2)	535400222	600286
7.	Fixed castors (set of 2)	530964340	600284

F900 SERIES

E9941 Flexi Pan

Controls





Controls

<u>Item</u>	<u>Description</u>	<u>Spares No.</u>	<u>Part No.</u>
8.	Operating thermostat	733700000	
9.	Control knob	733700001	RA9408
10.	Safety thermostat	733700002	
11.	Terminal block	731000006	R6823
12.	Fuse 2A	734243006	R2292
13.	Fuse holder	734310510	RFF40
14.	Mains pilot light (red)	730962010	RA9249
15.	Circuit pilot light (amber)	730962040	RA9250
16.	Contactora	734310440	R6160

F900 SERIES

E9941 Flexi Pan

Plate Fitments

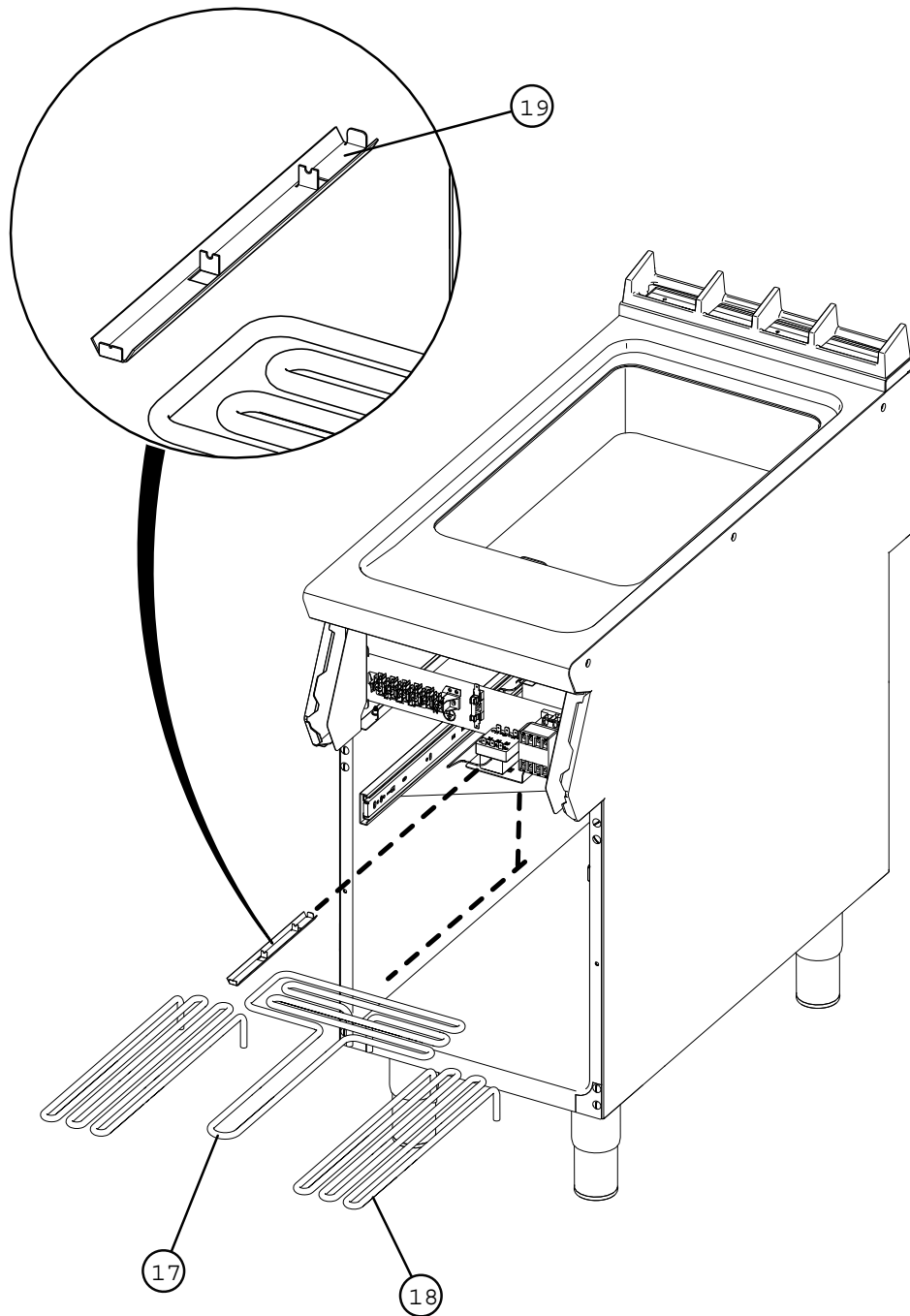




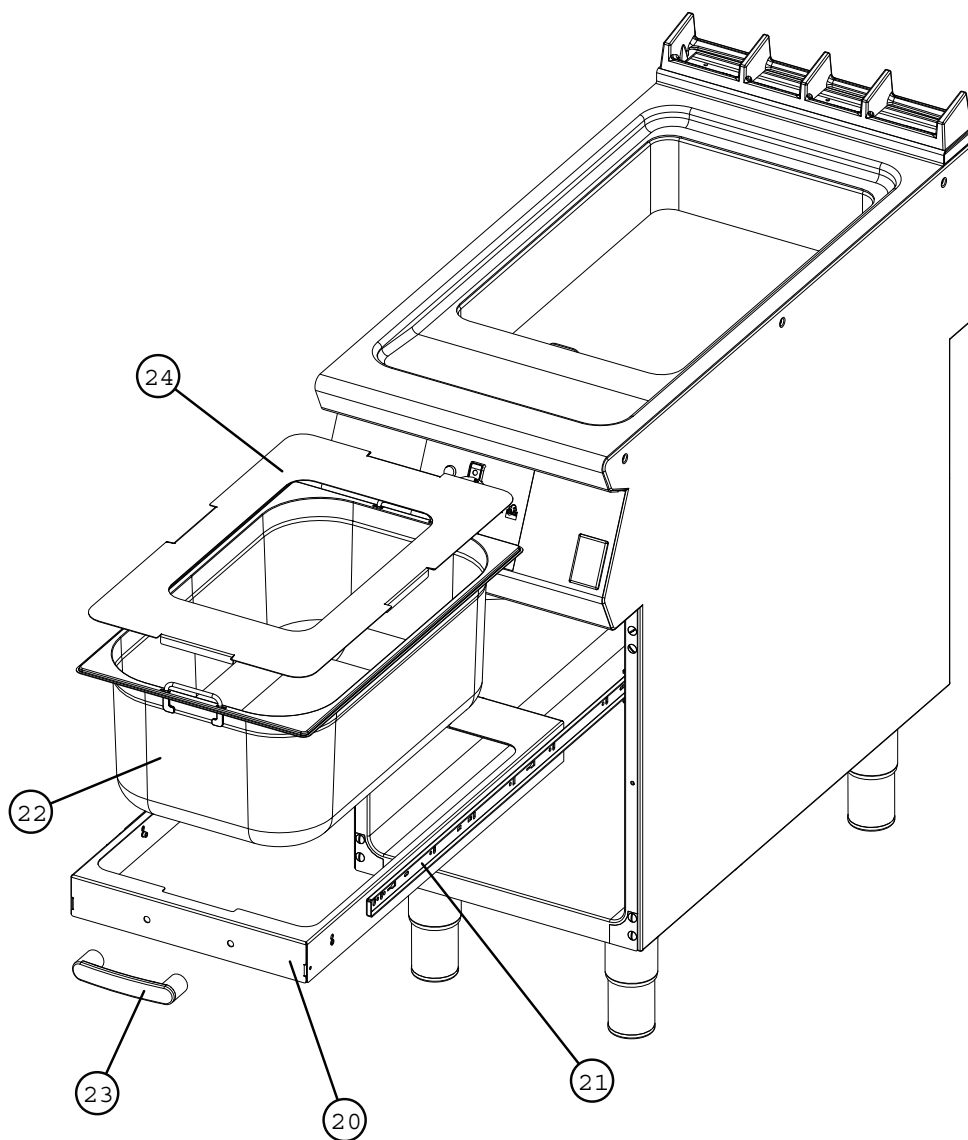
Plate Fitments

<u>Item</u>	<u>Description</u>	<u>Spares No.</u>	<u>Part No.</u>
17.	Centre element	733700003	RA9409
18.	Side element	733700004	RA9410
19.	Operating stat phial clip	733700013	T703978

F900 SERIES

E9941 Flexi Pan

Tray Fitments





Tray Fitments

<u>Item</u>	<u>Description</u>	<u>Spares No.</u>	<u>Part No.</u>
20.	Gastronorm slide	733700005	T703993
21.	Gastronorm slide runners (pair)	733700006	R6246
22.	Gastronorm tray	733700009	RA9428
23.	Handle	733500008	690173
24.	1/1 gastronorm insert	733700014	T713057