

ITEM	DESCRIPTION	SPARES No.
1	GOVERNOR	535820026
2	PRESSURE TEST NIPPLE	535500020
3	THERMOCOUPLE	537220330
4	THERMOCOUPLE MTG BKT	537220390
5	GAS CONTROL NO PILOT	537220360
6	CONTROL KNOB	531880520
7	PILOT BRACKET	537210290
8	PILOT ASSEMBLY NG	537210280
8a	PILOT ASSEMBLY PROPANE	537210285
	PILOT ORIFICE NAT GAS	535710050
	PILOT ORIFICE PRORPANE	531300070
9	BURNER PLAQUE GUARD	537210670
10	INFRAGLO BURNER	537210660
11	JET NAT GAS	537220270
11a	JET PROPANE	537220450
12	LH X LIGHTER PIPE	537220400
13	PIPE TEE TO INJECTOR	537220300
14	RH X LIGHT PIPE TE TO COUPLING	537220420
15	RH X LIGHT PIPE COUPLING TO XL	537220410
16	BURNER PIPE LEFT HAND	537220110
17	BURNER PIPE RIGHT HAND	537220100

PRODUCTION ISSUE

ISSUE	MOD No	ALTERATION	DRAWN BY	DATE
A	8122	PRODUCTION ISSUE	F.GARVOCK	15/05/18

IF IN DOUBT ASK
DO NOT SCALE
FIRST ANGLE PROJECTION

UNLESS OTHERWISE SPECIFIED:
DIMENSIONS ARE IN MILLIMETERS
TOLERANCES:
LINEAR: ±0.5mm
ANGULAR: ±0.5 DEG

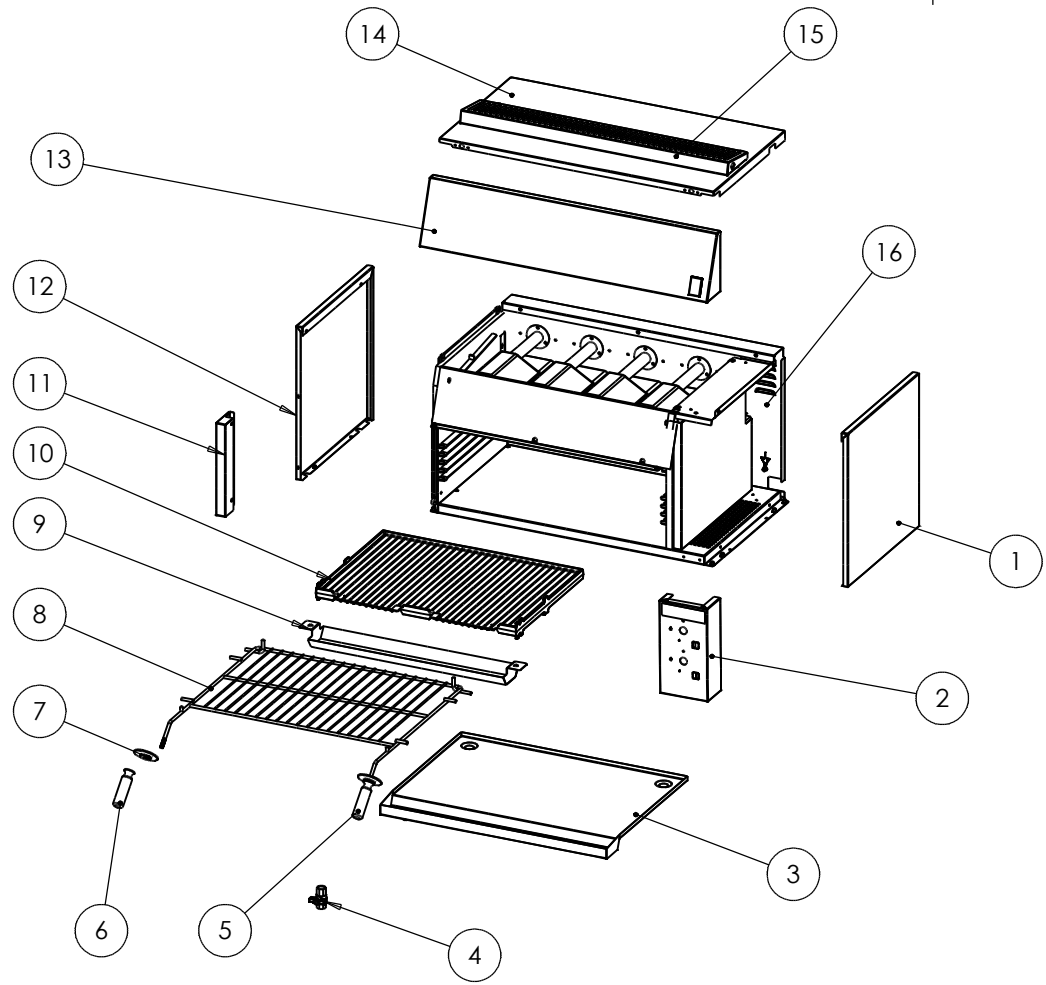
DEBUR AND
BREAK SHARP EDGES

WEIGHT: 75517.25g



DRAWN: F.GARVOCK	PRODUCT	
DATE: 15/05/18	G1528 GRILL	
SCALE: 1:5	TITLE	
	SPARES PIPEWORK & CONTROLS	
MATL:	DRAWING NUMBER	ISSUE
THICKNESS:	AD55282	A
BIN No:	PART No:	

ITEM	DESCRIPTION	SPARES No.
1	RH OUTER SIDE	537210230
2	CONTROL PANEL ASSY	537210160
3	DRIP TRAY C/W VALVE	534220200
4	DRAIN VALVE	537060000
5	GRILL HANDLE & DISC SET	535900010
6	GRILL HANDLE	531532190
7	HANDLE DISC	531532200
8	GRID SHELF	524220014
9	BARNDER DRIP TROUGH	537220250
10	BRANDER	524220013
11	VERTICAL TRIM	537210240
12	LH OUTER SIDE	537210235
13	OUTER FRONT PANEL	537220570
14	OUTER TOP ASSEMBLY	537220575
15	FLUE OUTLET	537220596
16	OUTER BACK PANEL	534220595



PRODUCTION ISSUE

ISSUE	MOD No	ALTERATION	DRAWN BY	DATE
A	8122	PRODUCTION ISSUE	F.GARVOCK	15/05/18

IF IN DOUBT ASK
DO NOT SCALE
FIRST ANGLE PROJECTION

UNLESS OTHERWISE SPECIFIED:
DIMENSIONS ARE IN MILLIMETERS
TOLERANCES:
LINEAR: ±0.5mm
ANGULAR: ±0.5 DEG

DEBUR AND
BREAK SHARP EDGES

WEIGHT: 75517.25g



DRAWN: F.GARVOCK	PRODUCT	
DATE: 15/05/18	G1528 GRILL	
SCALE: 1:10	TITLE	
		SPARES FITMENTS
MATL:	DRAWING NUMBER	ISSUE
THICKNESS:	AD55283	A
FINISH:		

© NO REPRODUCTION OR PUBLICATION OF THIS DRAWING MAY BE MADE AND NO ARTICLE MAY BE MANUFACTURED OR ASSEMBLED IN ACCORDANCE WITH THIS DRAWING WITHOUT PRIOR WRITTEN CONSENT. THIS PROHIBITION IS A TERM OF ANY CONTRACT RELATING TO THIS DRAWING. RIGHTS RESERVED UNDER THE COPYRIGHT ACT 1956 AS AMENDED BY THE DESIGN COPYRIGHT ACT 1968