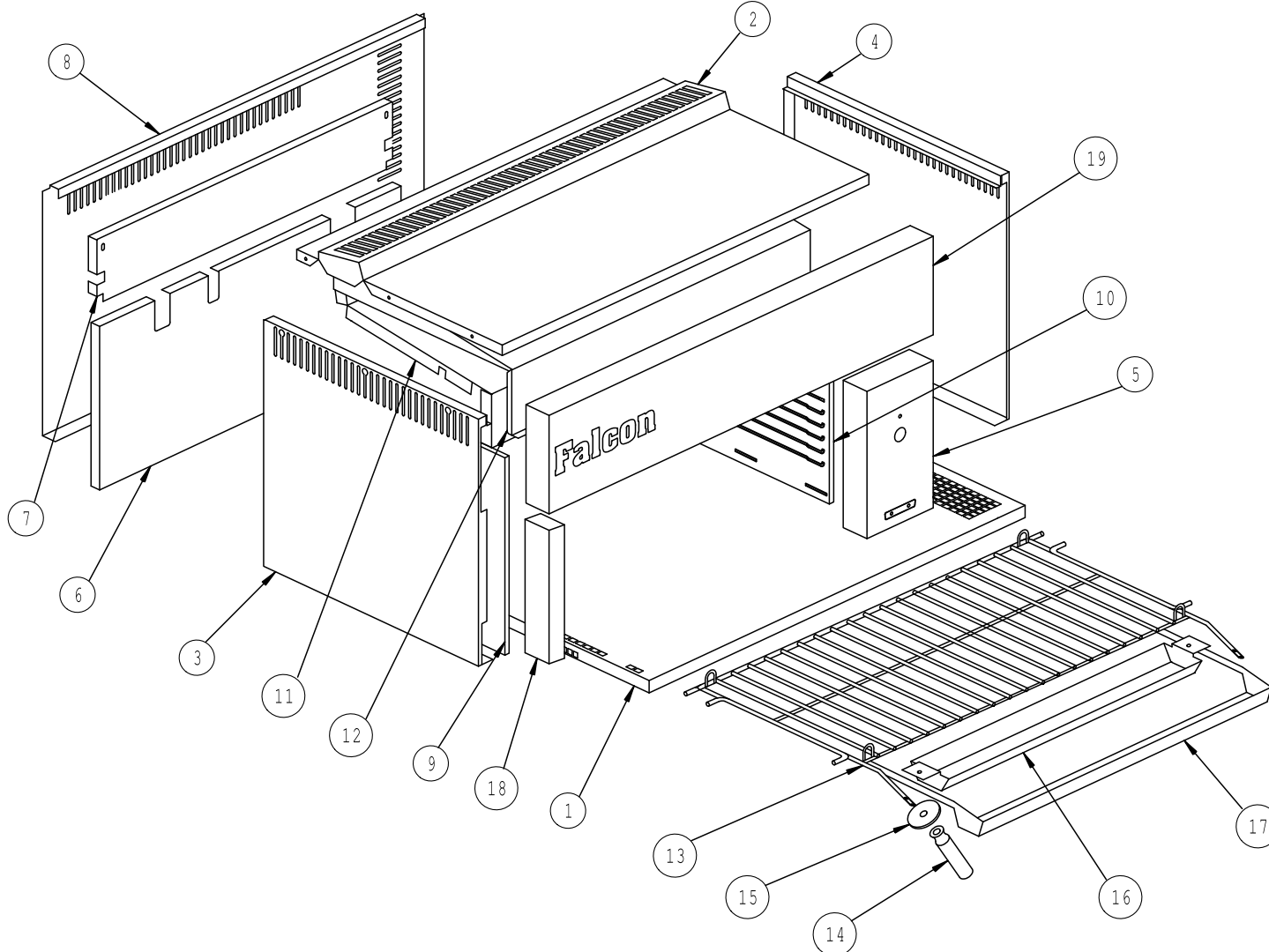
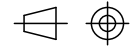


IF IN DOUBT ASK!!

DO NOT SCALE !!

First Angle Projection

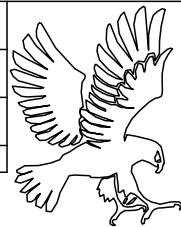


ITEM	DESCRIPTION	SPARES No
1	Base	531620070
2	Outer Top	531620050
3	Outer Side LH	535910008
4	Outer Side RH	531610250
5	Control Panel	535910002
6	Inner Back	531620160
7	Top Inner Back	531620040
8	Outer Back	535920030
9	Inner Side LH	531610390
10	Inner Side RH	531610350
11	Inner Top	531620090
12	Cooling Plate	531620080
13	Wire Grid	531620130
14	Handle for Wire Grid	531600420
15	Disc for Wire Grid	531600410
16	Drip Trough	531550170
17	Drip Tray	531620140
18	Front Trim	535910006
19	Front Facia	535920040

G2522 GRILL FITMENTS

All dimensions in millimetres, Tolerance- Linear $\pm 0.5\text{mm}$ Angular $\pm 0.5^\circ$ (or as stated). All sharp edges to be removed from sheet metal parts.

A	4800	ISSUED FOR PRODUCTION		I. HAMILTON	21-10-02
Issue	Mod No.	Alteration	Zone	Drawn by	Date



This part is common to the following units

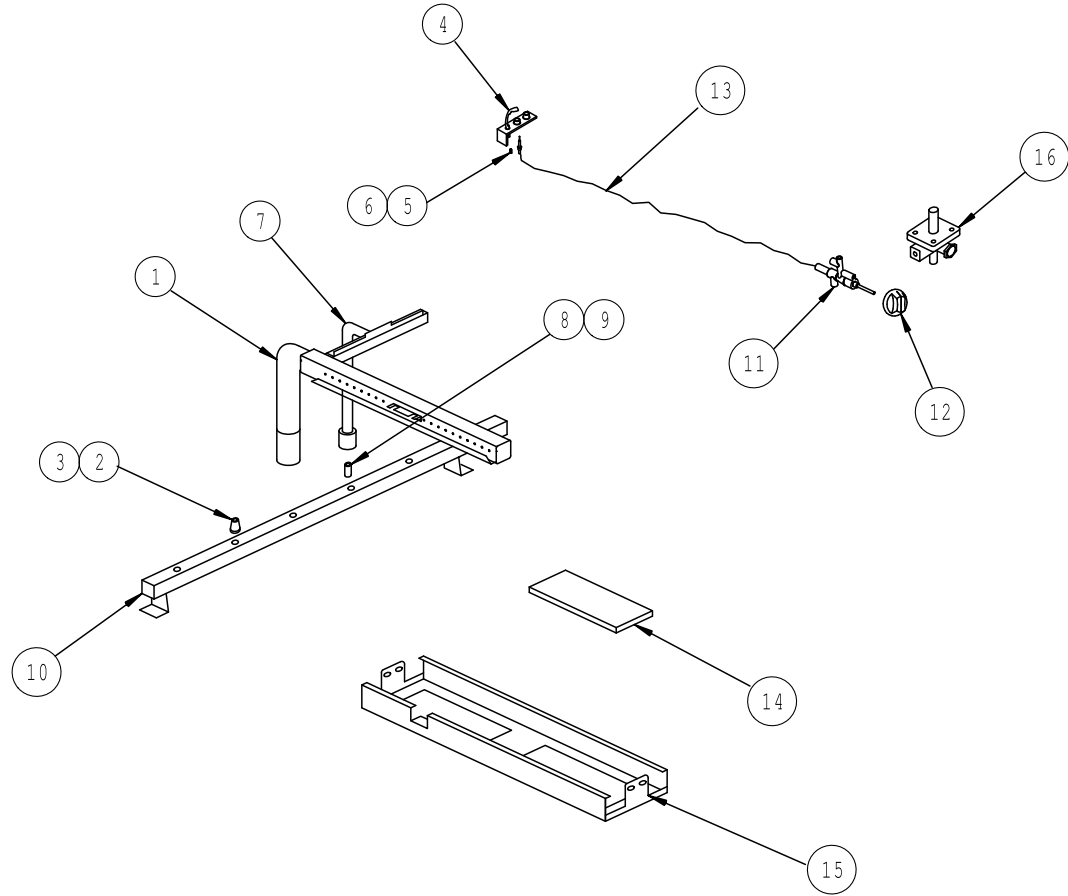
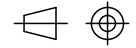
Drawn	I. HAMILTON	Product	G2522 GRILL	
Date	23-09-02	Title	SPARES DIAGRAM-FITMENTS	
Scale				
Matl.		Drawing Number	AD40728	Issue
No. off		Finish		A
Bin No.	RZZ333	Kraus No.		

© No reproduction or publication of this drawing may be made and no article may be manufactured or assembled in accordance with this drawing without prior written consent. This prohibition is a term of any contract relating to this drawing. Rights reserved under the Copyright Act 1956 as amended by the Design Copyright Act 1968.

IF IN DOUBT ASK!!

DO NOT SCALE !!

First Angle Projection



ITEM	DESCRIPTION	SPARES No
1	Burner	531600230
2	Injector-Natural	531600220
3	Injector-Propane	531600225
4	Pilot Burner Body	531600050
5	Pilot Orifice-Natural	531600070
6	Pilot Orifice-Propane	531600075
7	X-Light Burner	531620030
8	X-Light Inj-Natural	531610140
9	X-Light Inj-Propane	531610145
10	Manifold	531620020
11	Gas Control Tap	537560020
12	Knob for Gas Control Tap	535900000
13	Thermocouple	531610010
14	Plaque (Single)	531600010
15	Burner Plaque Holder	531600606
16	Governor	535900010

G2522 GRILL CONTROLS

All dimensions in millimetres, Tolerance- Linear $\pm 0.5\text{mm}$ Angular $\pm 0.5^\circ$ (or as stated). All sharp edges to be removed from sheet metal parts.

Issue	Mod No.	Alteration	Zone	Drawn by	Date
A	4800	ISSUED FOR PRODUCTION		I. HAMILTON	21-10-02



This part is common to the following units

Drawn	I. HAMILTON	Product	G2522 GRILL	
Date	24-09-02	Title	SPARES DIAGRAM-CONTROLS	
Scale		Drawing Number	AD40729	Issue
Matl.				A
No. off		Finish		
Bin No.	RZZ333	Kraus No.		

© No reproduction or publication of this drawing may be made and no article may be manufactured or assembled in accordance with this drawing without prior written consent. This prohibition is a term of any contract relating to this drawing. Rights reserved under the Copyright Act 1956 as amended by the Design Copyright Act 1968.