



## **DOMINATOR***PLUS*

# *G3161 Open Top Gas Range*

### Key features

- Energy efficient, high performance 5.3kW burners
  - Quick heat up, reduced waiting time
- Semi-sealed, pressed stainless steel hob
  - Easy to remove and keep clean
- Two x twin cast iron pan supports
  - Long-lasting and robust
- Vitreous enamelled oven chamber
  - Easy to clean and to keep clean
- Wide oven temperature range of 120 - 270°C
  - Ideal to prepare a wide variety of food
- Piezo ignition to oven
  - Simple, trouble-free operation
- Single, side opening oven door
  - Retains heat within the oven chamber
- Oven has 5 shelf positions and allows 2 shelf cooking
  - Versatile, ideal for a wide range of menu items
- Low profile door handle
  - Reduces intrusion into work space
- Laser-etched control icons
  - Permanent, indelible markings

### Accessories

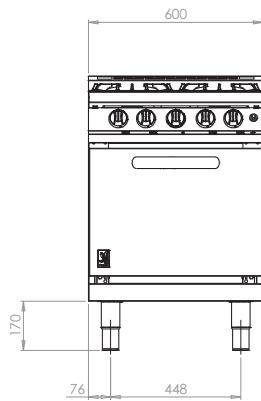
- Fully integrated extended flue
- Splashplate and plateshelf (not for use with extended flue)
- Oven shelf
- Lift-off fryplate
- Factory fitted, adjustable castors
- Fixed installation kit



### Similar Models

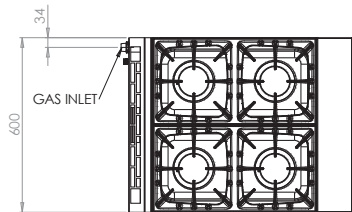
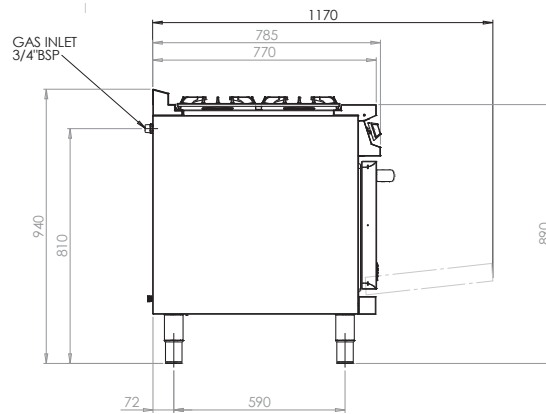
- G3161D Four burner range with drop down door
- G3101HD Six burner heavy duty range
- G3101D Six burner range with drop down door
- G3101 OTC Six burner range - electric fan assisted oven
- G3106 Six burner range - gas fan assisted oven

## Open Top Gas Range



Measurements *in mm*

Unit on castors is the same hob height



## Specification *details*

Total rating (natural and propane - kW - Nett)	26		
Total rating (natural and propane - btu/hr - gross)	97,600		
Inlet size (natural and propane)	3/4" BSP		
Flow rate - natural (m <sup>3</sup> /hr)	2.70		
Flow rate - propane (kg/hr)	1.90		
Inlet pressure (natural and propane - mbar)	20 / 37		
Operating pressure (natural and propane - mbar)	15 / 37		
Hob burner rating * (natural and propane - kW)	5.3 x 4		
Hob burner rating * (natural and propane - btu/hr)	19,900 x 4		
Oven burner rating * (natural and propane - kW)	4.8		
Oven burner rating * (natural and propane - btu/hr)	18,000		
Oven dimensions (w x d x h - mm)	400 x 535 x 430		
Oven shelf (w x d - mm)	400 x 535		
Gastronorm compatibility	1/1		
Weight (kg)	88		
Packed weight (kg)	94		
Packed dimensions (w x d x h - mm)	700 x 1000 x 1100		
GTIN numbers			
Nat Gas (feet)	Nat Gas (castors)	LPG (feet)	LPG (castors)
5056466901561	5056466901554	5056466901585	5056466901578

## Installation notes

Adequate ventilation must be provided to supply sufficient fresh air for combustion and to allow easy removal of any such products that may present a risk to health. Please consult current legislation for details that relate to specific locations.

Install unit on a level, fireproof surface in a well-lit, draught free position. If floor is made of a combustible material, local fire requirements must be checked to ensure compliance.

A clearance of 150mm should be observed between appliance and any combustible wall.

