

ITEM	DESCRIPTION	SPARES No
1	GRILL BURNER ASSEMBLY	535990000
2	MANIFOLD	531600210
3	GRILL CONTROL VALVE NAT GAS & PROPANE	537560020
4	CONTROL VALVE FIXING NUT	535990001
5	CONTROL KNOB	535310010
6	Ø 12 FLEXI PIPE C/W OLIVES	535410003
7	Ø 4 FLEXI PIPE C/W OLIVES	535990015
8	THERMOCOUPLE	531600040
9	GRILL PILOT ASSEMBLY NAT GAS No 30	531600050
9.1	PILOT ORIFICE NAT GAS No 30	531600070
10	GRILL PILOT ASSEMBLY PROPANE No 19	531600055
10.1	PILOT ORIFICE PROPANE No 19	531600075
11	GRILL BURNER INJECTOR NAT GAS	531630010
11.1	GRILL INJECTOR SEALING WASHER	535990002
12	GRILL BURNER INJECTOR PROPANE	531630015
13	MANIFOLD PIPE COUPLING	531600120
14	INLET PIPE ELBOW	531600030
15	INLET SOCKET	535990003
15.1	TEST NIPPLE	531600200
16	1/2" GOVERNOR C/W FITTING	531562410
16.1	1/2" FITTING	535500020
17	BURNER PLAQUE HOLDER	535930153
18	BURNER PLAQUE (SET OF 6)	535930155
18.1	BURNER PLAQUE (SINGLE)	531600010
	CONVERSION KIT NAT GAS TO PROPANE	535990004
	CONVERSION KIT PROPANE TO NAT GAS	535990005

**CLEARED FOR PRODUCTION**

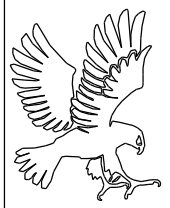
ISSUE	MOD No	ALTERATION	DRAWN BY	DATE
A	1317/1	PRODUCTION ISSUE	IAIN JAMES	29/11/11

IF IN DOUBT ASK  
DO NOT SCALE  
FIRST ANGLE PROJECTION

UNLESS OTHERWISE SPECIFIED:  
DIMENSIONS ARE IN MILLIMETERS  
TOLERANCES:  
LINEAR: ±0.5mm  
ANGULAR: ±0.5 DEG

DEBUR AND  
BREAK SHARP EDGES

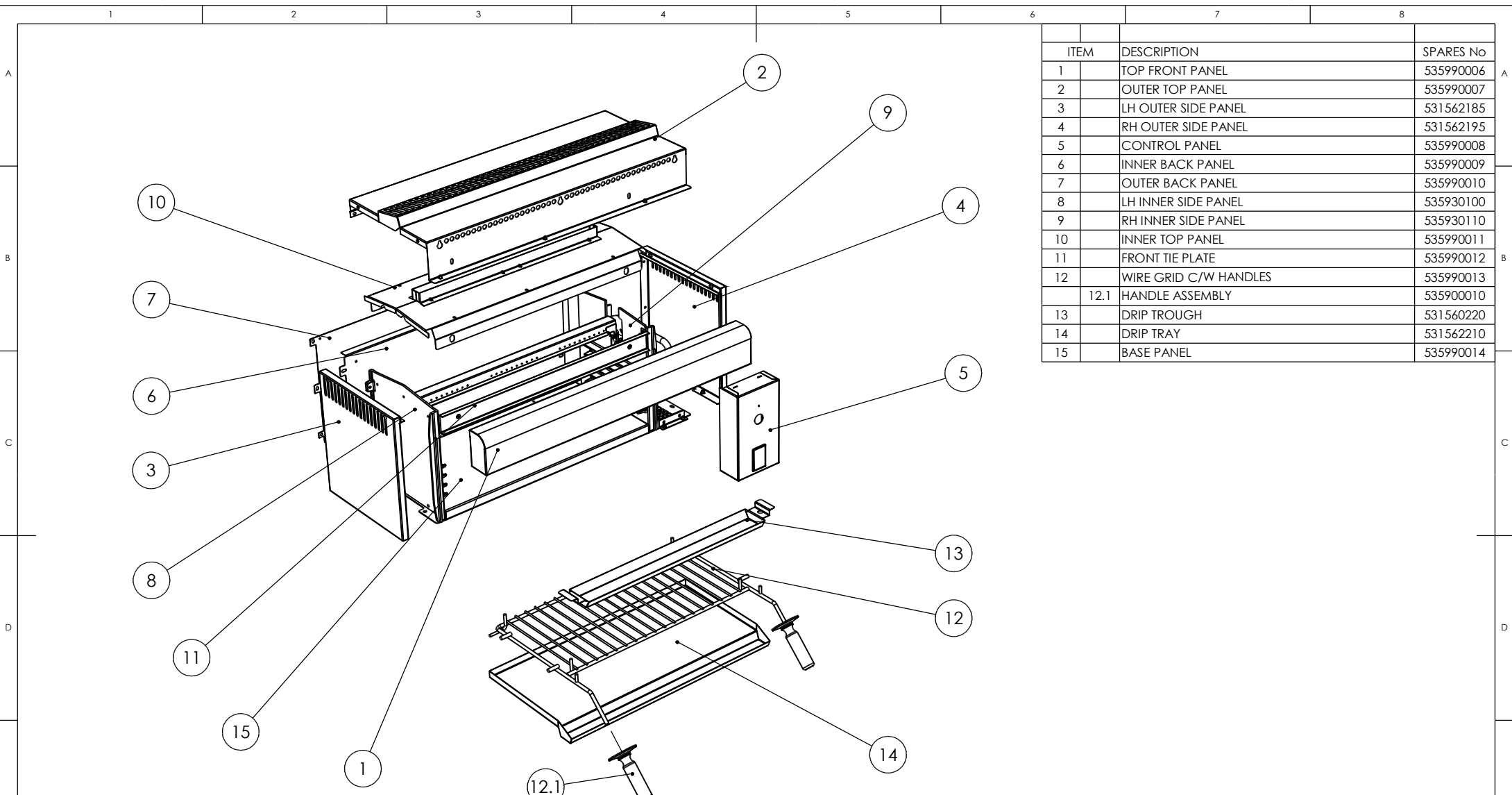
WEIGHT: 78526.69g



DRAWN: <b>IAIN JAMES</b>	PRODUCT
DATE: <b>25/10/11</b>	TITLE
SCALE: <b>1:4</b>	
MATL: <b>N/A</b>	DRAWING NUMBER
THICKNESS:	FINISH:
BIN No:	PART No:

<b>G3532 GRILL</b>	
<b>SPARES CONTROLS</b>	
<b>AD48972</b>	<b>A</b>

© NO REPRODUCTION OR PUBLICATION OF THIS DRAWING MAY BE MADE AND NO ARTICLE MAY BE MANUFACTURED OR ASSEMBLED IN ACCORDANCE WITH THIS DRAWING WITHOUT PRIOR WRITTEN CONSENT. THIS PROHIBITION IS A TERM OF ANY CONTRACT RELATING TO THIS DRAWING. RIGHTS RESERVED UNDER THE COPYRIGHT ACT 1956 AS AMENDED BY THE DESIGN COPYRIGHT ACT 1968



ITEM	DESCRIPTION	SPARES No
1	TOP FRONT PANEL	535990006
2	OUTER TOP PANEL	535990007
3	LH OUTER SIDE PANEL	531562185
4	RH OUTER SIDE PANEL	531562195
5	CONTROL PANEL	535990008
6	INNER BACK PANEL	535990009
7	OUTER BACK PANEL	535990010
8	LH INNER SIDE PANEL	535930100
9	RH INNER SIDE PANEL	535930110
10	INNER TOP PANEL	535990011
11	FRONT TIE PLATE	535990012
12	WIRE GRID C/W HANDLES	535990013
12.1	HANDLE ASSEMBLY	535900010
13	DRIP TROUGH	531560220
14	DRIP TRAY	531562210
15	BASE PANEL	535990014

**CLEARED FOR PRODUCTION**

ISSUE	MOD No	ALTERATION	DRAWN BY	DATE
A	1317/1	PRODUCTION ISSUE	IAIN JAMES	29/11/11

IF IN DOUBT ASK  
DO NOT SCALE  
FIRST ANGLE PROJECTION

UNLESS OTHERWISE SPECIFIED:  
DIMENSIONS ARE IN MILLIMETERS  
TOLERANCES:  
LINEAR: ±0.5mm  
ANGULAR: ±0.5 DEG

DEBUR AND  
BREAK SHARP EDGES

WEIGHT: 78526.69g



DRAWN: <b>IAIN JAMES</b>	PRODUCT	
DATE: <b>1/11/11</b>	<b>G3532 GRILL</b>	
SCALE: <b>1:7.5</b>	TITLE	
MATL: <b>N/A</b>	<b>SPARES FITMENTS</b>	
THICKNESS:	FINISH:	DRAWING NUMBER
BIN No:	PART No:	<b>AD48971</b>
		ISSUE
		<b>A</b>

© NO REPRODUCTION OR PUBLICATION OF THIS DRAWING MAY BE MADE AND NO ARTICLE MAY BE MANUFACTURED OR ASSEMBLED IN ACCORDANCE WITH THIS DRAWING WITHOUT PRIOR WRITTEN CONSENT. THIS PROHIBITION IS A TERM OF ANY CONTRACT RELATING TO THIS DRAWING. RIGHTS RESERVED UNDER THE COPYRIGHT ACT 1956 AS AMENDED BY THE DESIGN COPYRIGHT ACT 1968