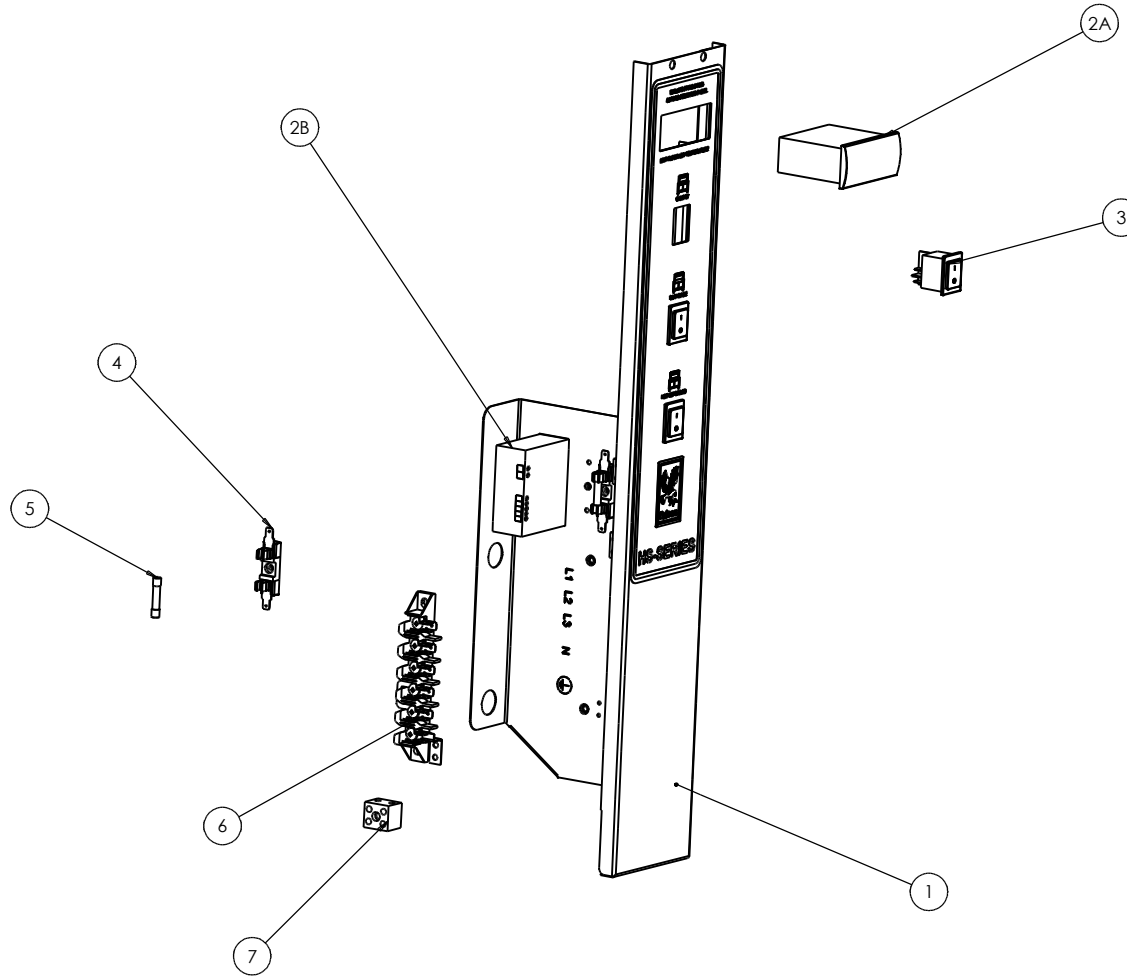


No.	Spares Number	Description
1	730910000	CONTROL FACIA PANEL
2A	730910010	DIGITAL CONTROLLER HOTCUPBOARD
2B	73091015	DIGITAL CONTROLLER BAINS AMRIE
3	730910020	SWITCH GREEN
4	730910030	FUSE HOLDER
5	730910040	FUSE 2A ANTI SURGE
6	730910050	TERMINAL BLOCK
7	730910060	CERAMIC TERMINAL BLOCK
8	730910070	CONTROLLER PROBE (NOT ILLUSTRATED)



PRODUCTION ISSUE

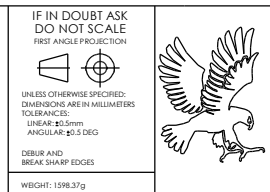
DRAWING NUMBER	AH47244	ISSUE	MOD No	ALTERATION	DRAWN BY	DATE
		A	6178	PRODUCTION ISSUE	F GARVOCK	09/12/09
B	6229	REF TO ITEMS 2A AND 2B ADDED	F GARVOCK	26/03/10		
<small>NO REPRODUCTION OR PUBLICATION OF THIS DRAWING MAY BE MADE AND NO ARTICLE MAY BE MANUFACTURED OR ASSEMBLED IN ACCORDANCE WITH THIS DRAWING WITHOUT PRIOR WRITTEN CONSENT. THIS PROHIBITION IS A TERM OF ANY CONTRACT RELATING TO THIS DRAWING. RIGHTS RESERVED UNDER THE COPYRIGHT ACT 1956 AS AMENDED BY THE DESIGN COPYRIGHT ACT 1988</small>						

IF IN DOUBT ASK
DO NOT SCALE
FIRST ANGLE PROJECTION

UNLESS OTHERWISE SPECIFIED:
DIMENSIONS ARE IN MILLIMETERS
TOLERANCES:
LINEAR: ±0.5mm
ANGULAR: ±0.5 DEG

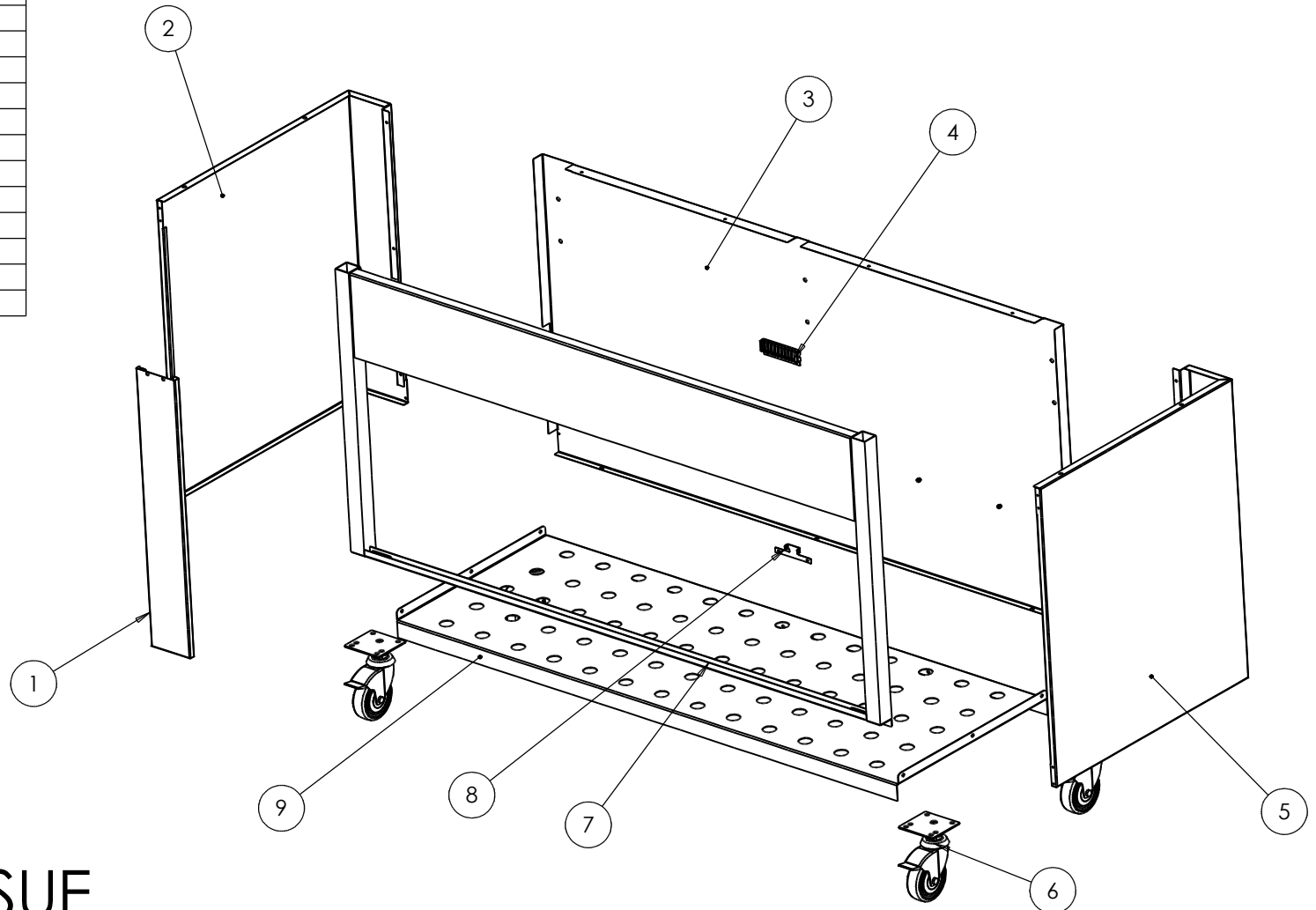
DEBUR AND
BREAK SHARP EDGES

WEIGHT: 1598.37g



DRAWN: GARVOCK	PRODUCT HS SERVERIES
DATE: 20/03/2010	TITLE SPARES CONTROLS
SCALE: 1:2	DRAWING NUMBER AH47244
MATL:	ISSUE B
THICKNESS:	PART No:
BIN No: R----	

No.	Spares Number	Description
1	730910080	LH FACIA PANEL
2	730910090	LH OUTER SIDE PANEL
3A	730910100	HS3 OUTER BACK PANEL
3b	730910110	HS4 OUTER BACK PANEL
3c	730910120	HS5 OUTER BACK PANEL
4	730910490	HS PROBE COVER PLATE
5	730910130	RH OUTER SIDE PANEL
6	730910140	SWIVEL CASTOR
6a	730910150	SWIVEL CASTORS SET OF 4
7a	730910160	HS3 FRONT FRAME
7b	730910170	HS4 FRONT FRAME
7c	730910180	HS5 FRONT FRAME
8	730910500	HS PROBE BRACKET
9a	730910510	HS3 INNER SHELF
9b	730910520	HS4 INNER SHELF
9c	730910530	HS5 INNER SHELF



PRODUCTION ISSUE

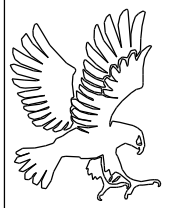
ISSUE	MOD No	ALTERATION	DRAWN BY	DATE
A	6178	PRODUCTION ISSUE	F GARVOCK	09/12/09

IF IN DOUBT ASK
DO NOT SCALE
FIRST ANGLE PROJECTION

UNLESS OTHERWISE SPECIFIED:
DIMENSIONS ARE IN MILLIMETERS
TOLERANCES:
LINEAR: ±0.5mm
ANGULAR: ±0.5 DEG

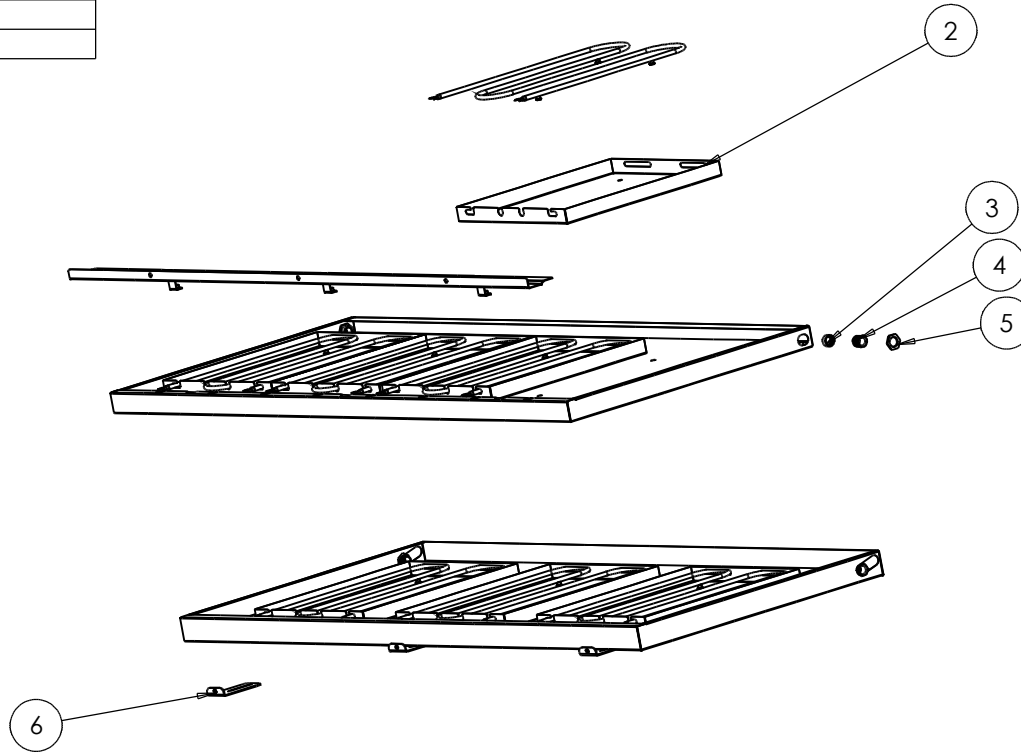
DEBUR AND
BREAK SHARP EDGES

WEIGHT: 322808.25g



DRAWN: F GARVOCK	PRODUCT	
DATE: 27/11/09	HS SERVERIES	
SCALE: 1:10	TITLE	
MATL:	SPARES OUTER PANELLING	
THICKNESS:	DRAWING NUMBER	ISSUE
BIN No:	AH47245	A
FINISH:	PART No:	

No.	Spares Number	Description
1	730910190	ELEMENT 500W
2	730910200	ELEMENT CRADLE
3	730910210	20mm BUSH FEMALE
4	730910220	20mm BUSH MALE
5	730910230	20mm LOCKNUT
6	730910240	SLIDING LOCK



PRODUCTION ISSUE

ISSUE	MOD No	ALTERATION	DRAWN BY	DATE
A	6178	PRODUCTION ISSUE	F GARVOCK	09/12/09

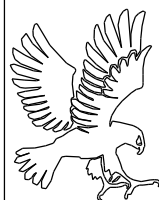
IF IN DOUBT ASK
DO NOT SCALE
FIRST ANGLE PROJECTION



UNLESS OTHERWISE SPECIFIED:
DIMENSIONS ARE IN MILLIMETERS
TOLERANCES:
LINEAR: ±0.5mm
ANGULAR: ±0.5 DEG

DEBUR AND
BREAK SHARP EDGES

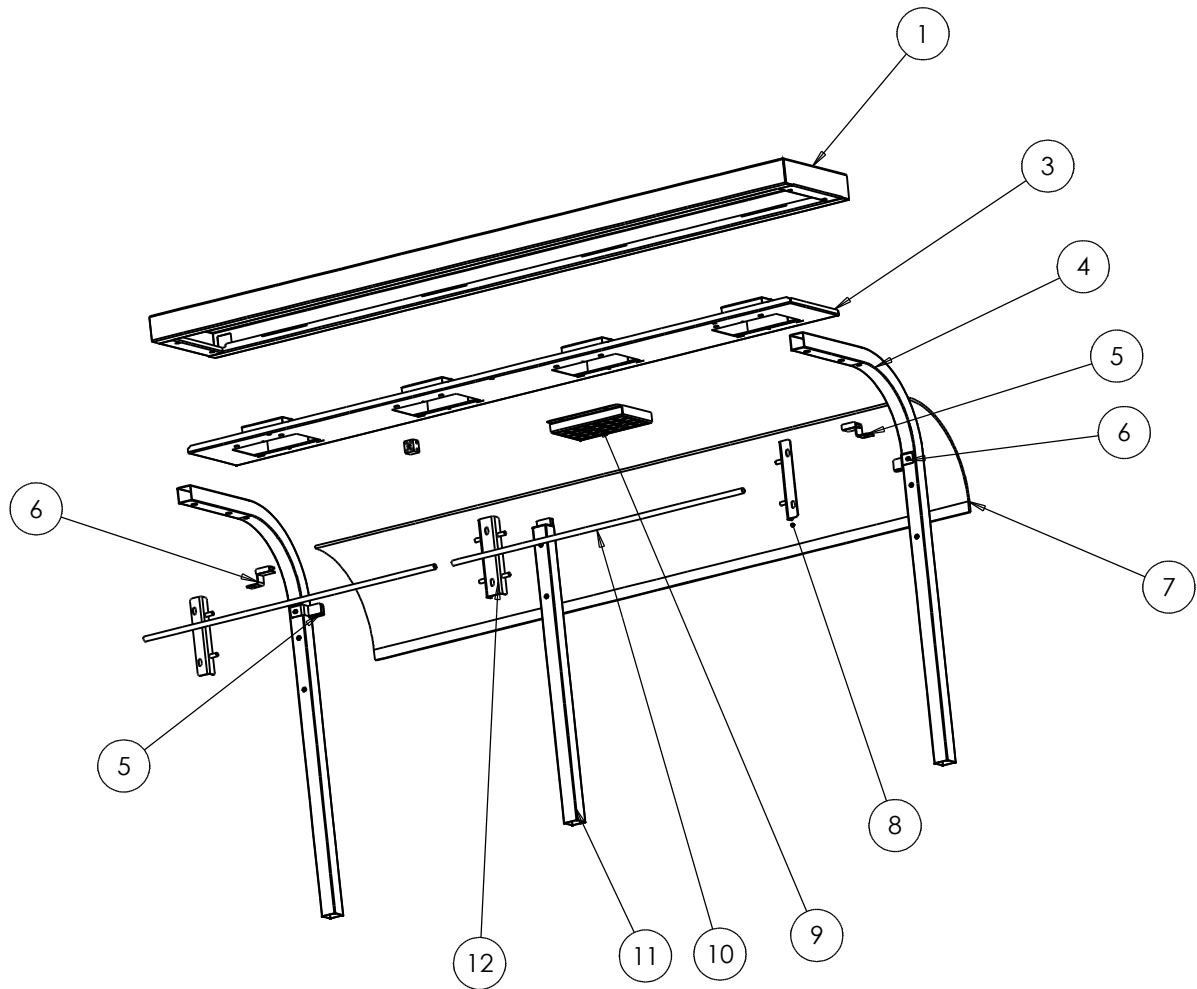
WEIGHT: 64248.98g



DRAWN: F GARVOCK	PRODUCT HS SERVERIES	
DATE: 27/11/09	TITLE SPARES B/MARIE & HOTCUPBOARD	
SCALE: 1:20	DRAWING NUMBER	ISSUE
MATL:	AH47246	A
THICKNESS:		
BIN No: R----	PART No:	

© NO REPRODUCTION OR PUBLICATION OF THIS DRAWING MAY BE MADE AND NO ARTICLE MAY BE MANUFACTURED OR ASSEMBLED IN ACCORDANCE WITH THIS DRAWING WITHOUT PRIOR WRITTEN CONSENT. THIS PROHIBITION IS A TERM OF ANY CONTRACT RELATING TO THIS DRAWING. RIGHTS RESERVED UNDER THE COPYRIGHT ACT 1956 AS AMENDED BY THE DESIGN COPYRIGHT ACT 1968

No.	Spares Number	Description
1a	730910250	HS3 GANTRY TOP PANEL
1b	730910260	HS4 GANTRY TOP PANEL
1c	730910270	HS5 GANTRY TOP PANEL
2	730910280	HS QUARTZ LAMP ASSY (NOT ILLUSTRATED)
3a	730910290	HS3 GANTRY INNER PANEL ASSY
3b	730910300	HS4 GANTRY INNER PANEL ASSY
3c	730910310	HS5 GANTRY INNER PANEL ASSY
4	730910320	HS GANTRY LEG
5	730910330	HS SCREEN SUPPORT TOP RH BTM LH
6	730910340	HS SCREEN SUPPORT TOP LH BTM RH
7a	730910350	HS3 SNEEZE SCREEN
7b	730910360	HS4 SNEEZE SCREEN
7c	730910370	HS5 SNEEZE SCREEN
8	730910380	HS PINCH GUARD END PLATE
9	730910390	HS GANTRY LAMP GUARD
10a	730910400	HS3 PINCH GUARD BAR
10b	730910410	HS4 PINCH GUARD BAR
10c	730910420	HS5 PINCH GUARD BAR
11	730910430	HS PINCH/GUARD SCREEN CENTRE TUBE
12	730910440	HS PINCH GUARD CENTRE PLATE
13a	730910450	HS3 PINCH GUARD ASSY
13b	730910460	HS4 PINCH GUARD ASSY
13c	730910470	HS5 PINCH GUARD ASSY
14	730910480	HS FINISHING DISC (NOT ILLUSTRATED)



PRODUCTION ISSUE

ISSUE	MOD No	ALTERATION	DRAWN BY	DATE
A	6178	PRODUCTION ISSUE	F GARVOCK	09/12/09

IF IN DOUBT ASK
DO NOT SCALE
FIRST ANGLE PROJECTION

UNLESS OTHERWISE SPECIFIED:
DIMENSIONS ARE IN MILLIMETERS
TOLERANCES:
LINEAR: ±0.5mm
ANGULAR: ±0.5 DEG

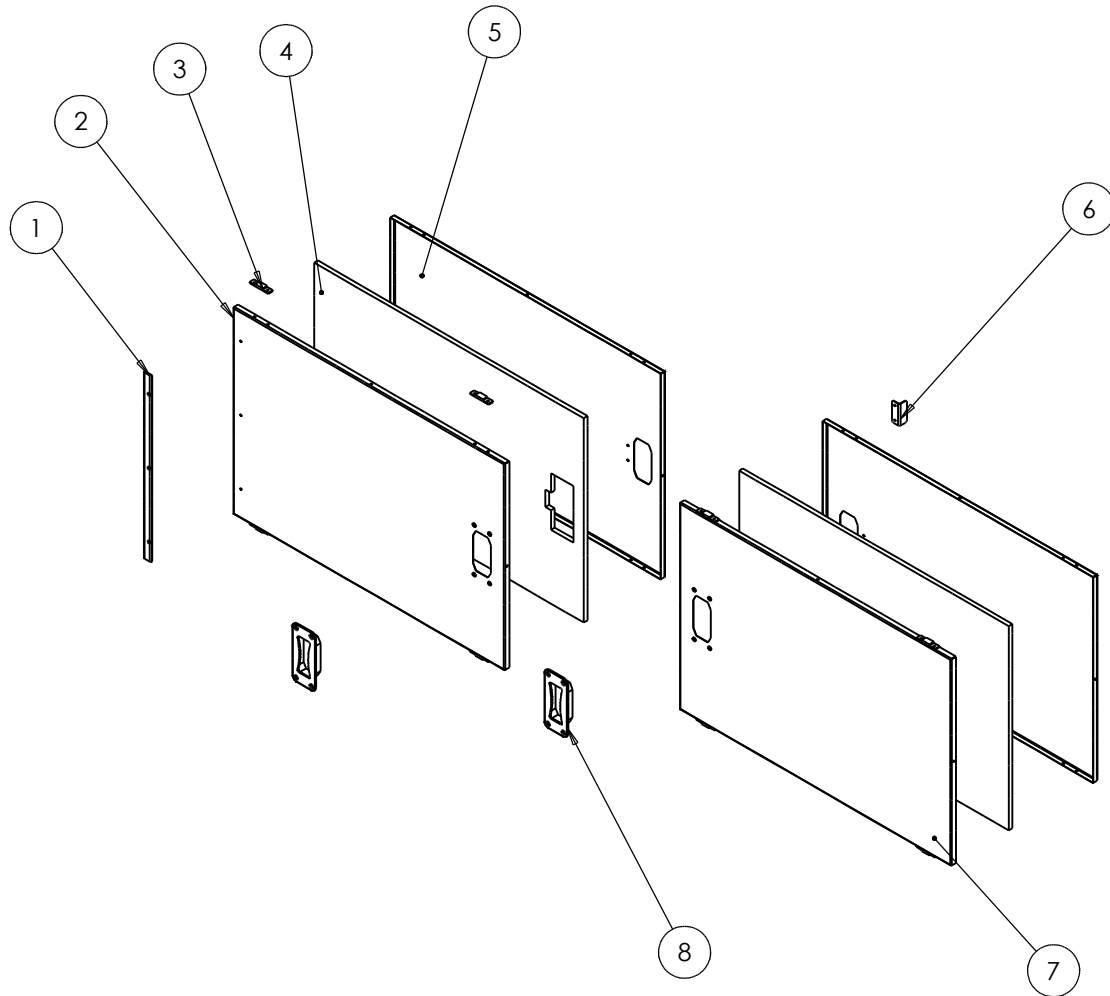
DEBUR AND
BREAK SHARP EDGES

WEIGHT: 21746.14g



DRAWN: F GARVOCK	PRODUCT	
DATE: 30/11/09	HS SERVERIES	
SCALE: 1:10	TITLE	
MATL:	SPARES GANTRY	
THICKNESS:	DRAWING NUMBER	ISSUE
BIN No: R----	AH47248	A
FINISH:	PART No: T-----	

No.	Spares Number	Description
1	730910540	HS DOOR SEAL
2a	730910550	HS3 LH OUTER DOOR PANEL
2b	730910560	HS4 LH OUTER DOOR PANEL
2c	730910570	HS5 LH OUTER DOOR PANEL
2d	730910580	HS3 LH OUTER DOOR ASSY
2e	730910590	HS4 LH OUTER DOOR ASSY
2f	730910600	HS5 LH OUTER DOOR ASSY
3	730910610	HS DOOR RUNNER NYLON
4a	730910620	HS3 DOOR INSULATION
4b	730910630	HS4 DOOR INSULATION
4c	730910640	HS5 DOOR INSULATION
5a	730910650	HS3 INNER DOOR PANEL
5b	730910660	HS4 INNER DOOR PANEL
5c	730910670	HS5 INNER DOOR PANEL
6	730910680	HS DOOR STOP
7a	730910690	HS3 RH OUTER DOOR PANEL
7b	730910700	HS4 RH OUTER DOOR PANEL
7c	730910710	HS5 RH OUTER DOOR PANEL
7d	730910720	HS3 RH OUTER DOOR ASSY
7e	730910730	HS4 RH OUTER DOOR ASSY
7f	730910740	HS5 RH OUTER DOOR ASSY
8	730910750	HS RECESSED DOOR HANDLE



PRODUCTION ISSUE

ISSUE	MOD No	ALTERATION	DRAWN BY	DATE
A	6178	PRODUCTION ISSUE	F GARVOCK	09/12/09

IF IN DOUBT ASK
DO NOT SCALE
FIRST ANGLE PROJECTION

UNLESS OTHERWISE SPECIFIED:
DIMENSIONS ARE IN MILLIMETERS
TOLERANCES:
LINEAR: ±0.5mm
ANGULAR: ±0.5 DEG

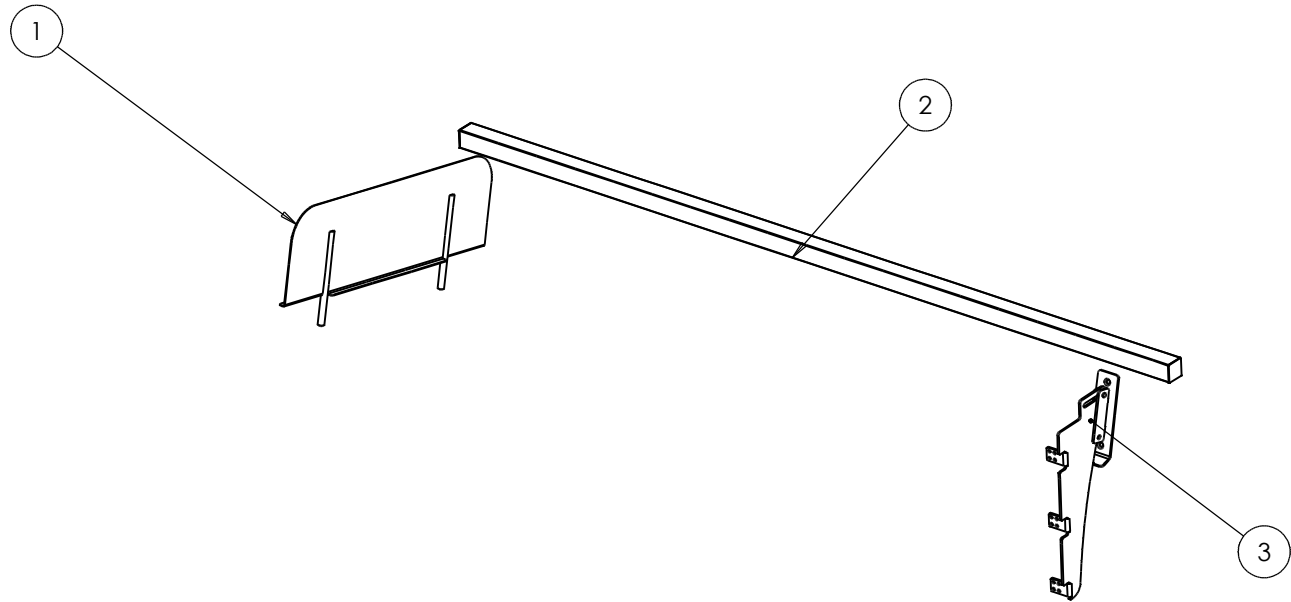
DEBUR AND
BREAK SHARP EDGES

WEIGHT: 25359.73g



DRAWN: F GARVOCK	PRODUCT	
DATE: 30/11/09	HS SERVERIES	
SCALE: 1:20	TITLE	
		SPARES DOORS
MATL:	DRAWING NUMBER	ISSUE
THICKNESS:	FINISH:	AH47250
BIN No: R----	PART No: T-----	A

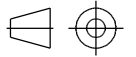
No.	Spares Number	Description
1	730910760	HS DIVIDER PLATE ASEMBLY
2a	730910770	HS3 TRAY SLIDE RAIL TUBE
2b	730910780	HS4 TRAY SLIDE RAIL TUBE
2c	730910790	HS5 TRAY SLIDE RAIL TUBE
3	730910800	HS TRAY SLIDE SUPPORT HINGE



PRODUCTION ISSUE

ISSUE	MOD No	ALTERATION	DRAWN BY	DATE
A	6178	PRODUCTION ISSUE	F GARVOCK	09/12/09

IF IN DOUBT ASK
DO NOT SCALE
FIRST ANGLE PROJECTION



UNLESS OTHERWISE SPECIFIED:
DIMENSIONS ARE IN MILLIMETERS
TOLERANCES:
LINEAR: ±0.5mm
ANGULAR: ±0.5 DEG

DEBUR AND
BREAK SHARP EDGES

WEIGHT: 9379.60g



DRAWN: F GARVOCK	PRODUCT	
DATE: 08/12/09	HS SERVERIES	
SCALE: 1:8	TITLE	
MATL:	SPARES LOOSE PARTS & ACCESSORIES	
THICKNESS:	DRAWING NUMBER	ISSUE
BIN No: R----	AH47267	A
PART No: T-----		