



SPARES MANUAL

COOK AND HOLD SINGLE / DOUBLE OVEN

CH15-11 / CH30-11
CH15-11P / CH30-11P

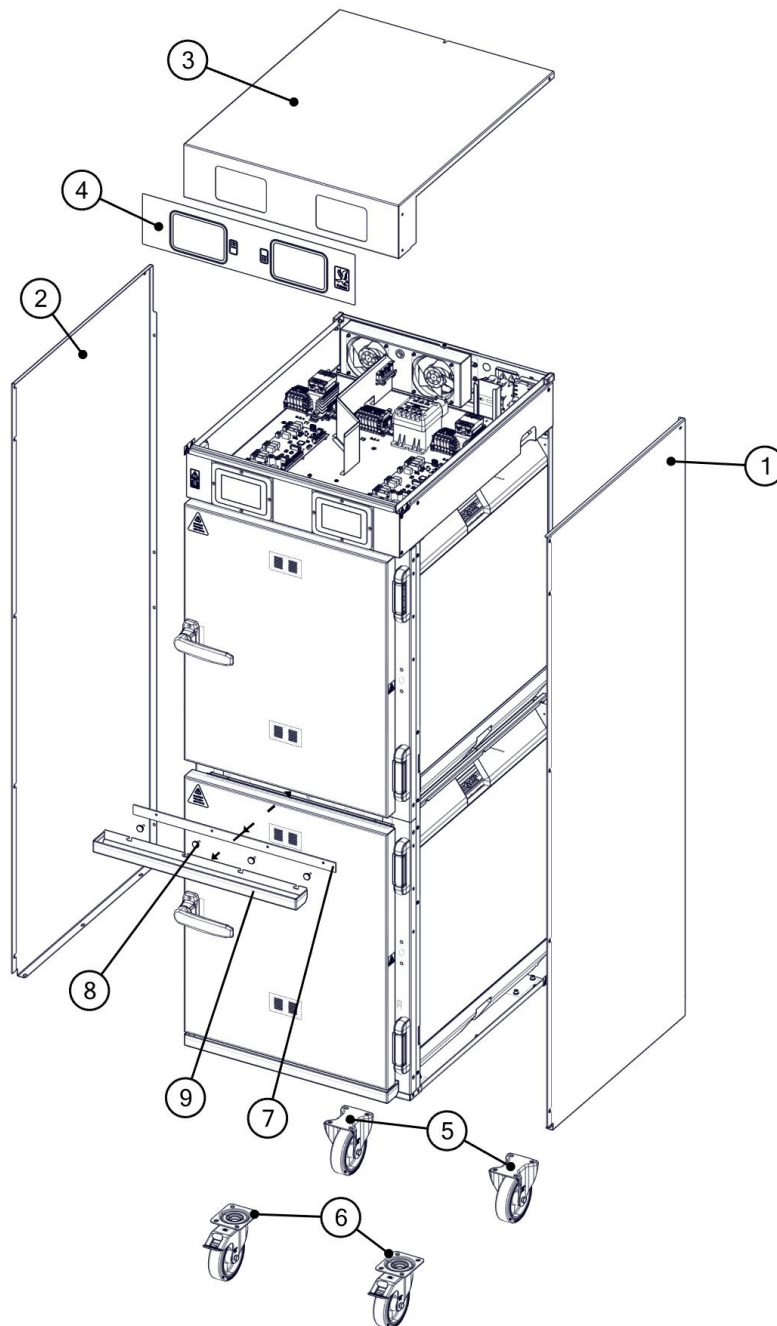
T102001

Rev No: REV 1
Published: 13/1/2026

CONTENTS

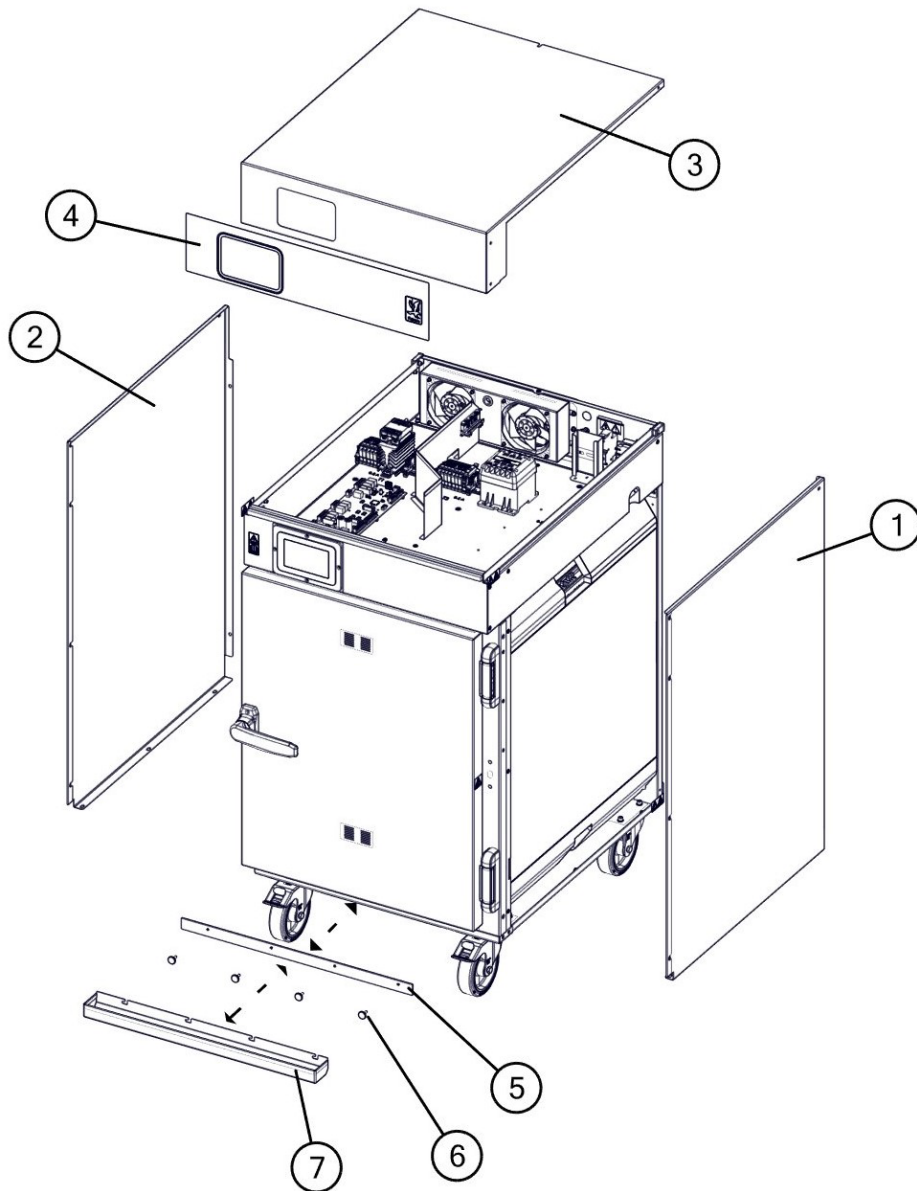
1.0	SPARES – CH30 OUTER PANELS	3
2.0	SPARES – CH15 OUTER PANELS	4
3.0	SPARES – DOORS (CH30 & CH15)	5
4.0	SPARES – OVEN FITMENTS (CH30 & CH15).....	6
5.0	SPARES – HEATERS (CH30 & CH15)	7
6.0	SPARES – CONTROLS 1 (CH30).....	8
7.0	SPARES – CONTROLS 2 (CH30).....	9
8.0	SPARES – CONTROLS 1 (CH15).....	10
9.0	SPARES – CONTROLS 2 (CH15).....	11
10.0	SPARES – CONTROLS 3 (CH30 & CH15)	12

1.0 SPARES – CH30 OUTER PANELS



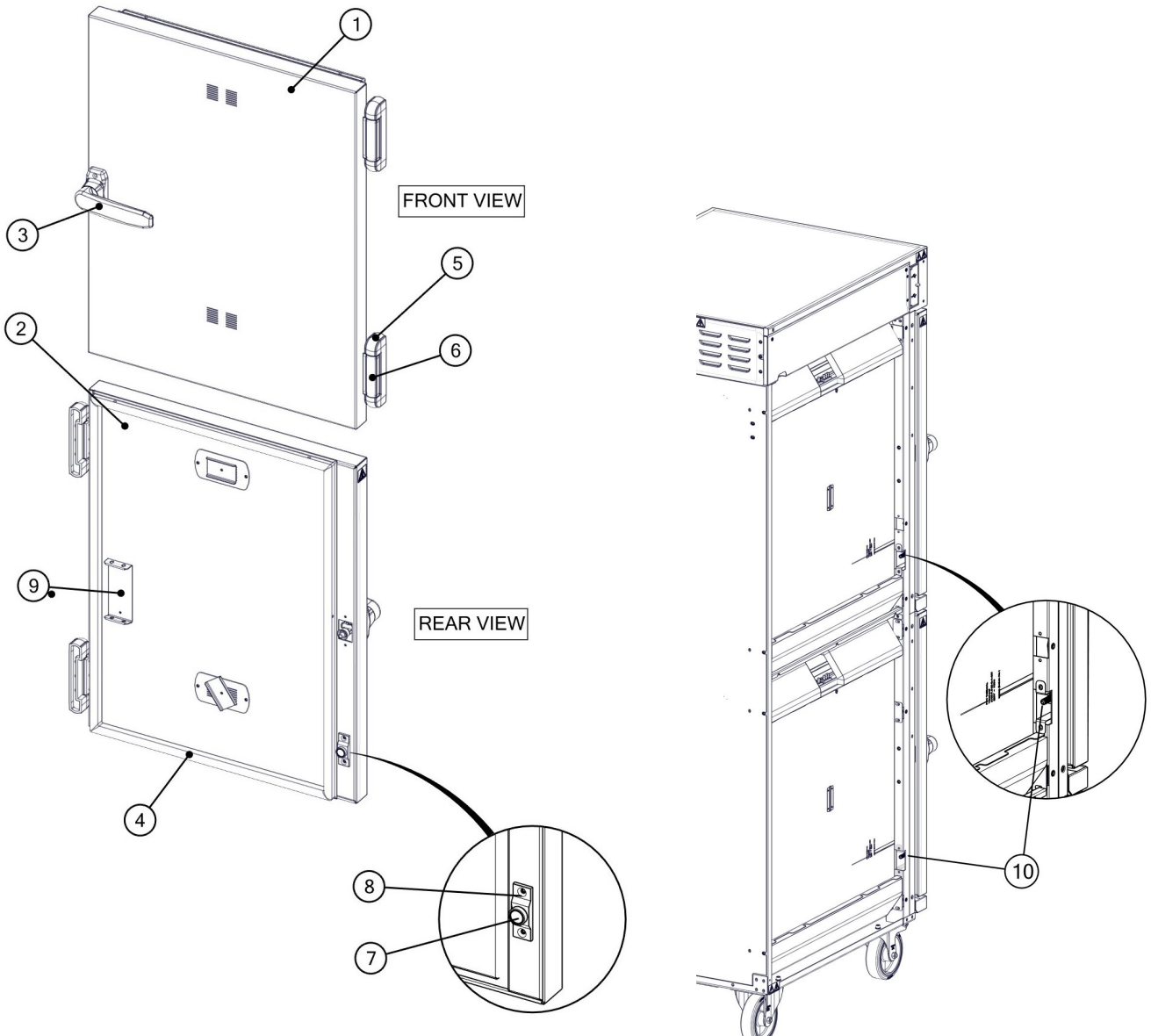
ITEM No	DESCRIPTION	SPARES No
1	SIDE PANEL R/HAND (CH30)	732300000
2	SIDE PANEL L/HAND (CH30)	732300001
3	CONTROL BOX COVER (CH30)	732300002
4	CONTROL BOX COVER DECAL (CH30)	732300003
5	CASTOR - FIXED	732300004
6	CASTOR – SWIVEL / BRAKED	732300005
7	GASKET - DRIP TROUGH	732300006
8	THUMBSCREW M4X10	732300007
9	DRIP TROUGH	732300008

2.0 SPARES – CH15 OUTER PANELS



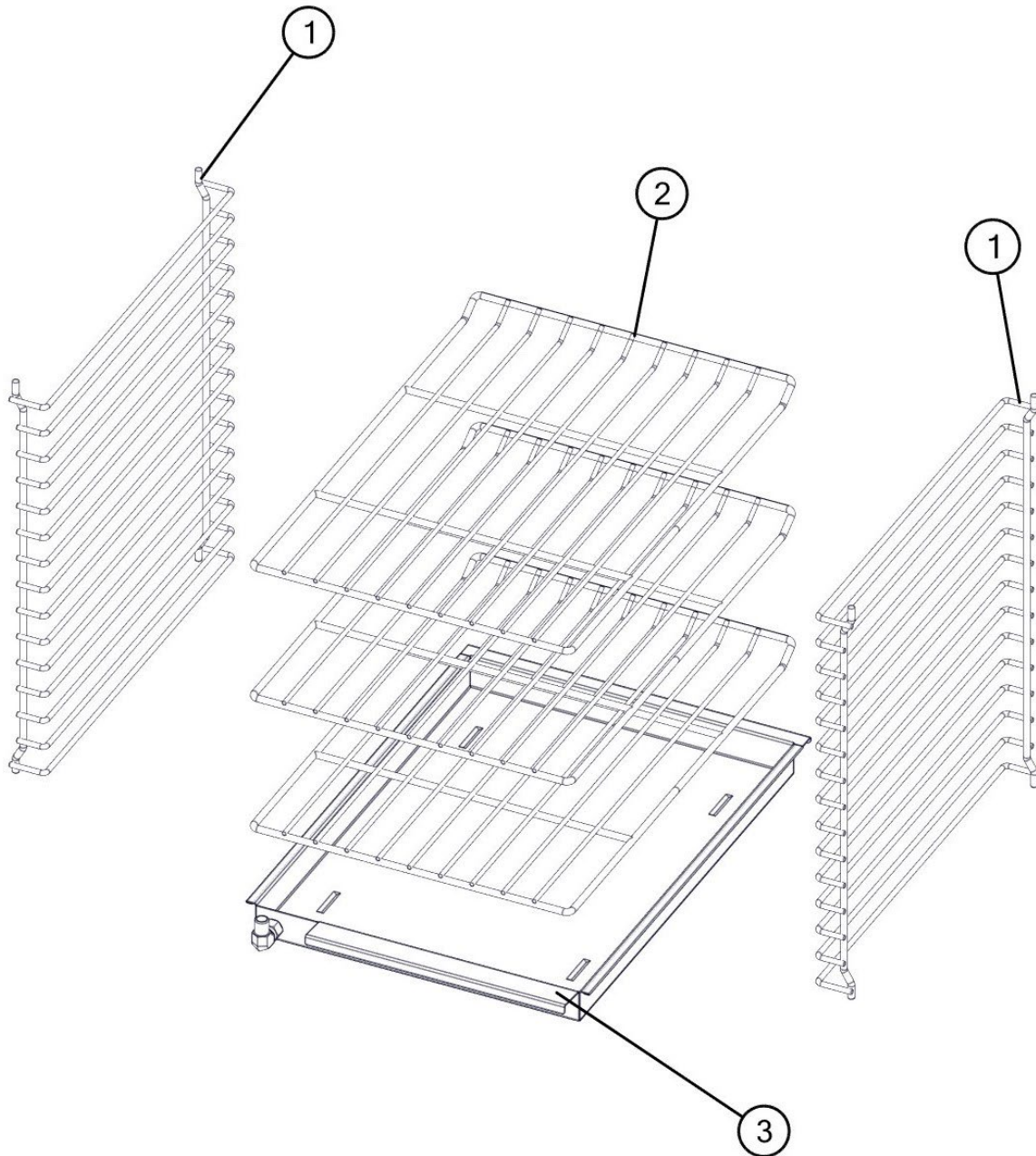
ITEM No	DESCRIPTION	SPARES No
1	SIDE PANEL R/HAND (CH15)	732310000
2	SIDE PANEL L/HAND (CH15)	732310001
3	CONTROL BOX COVER (CH15)	732310002
4	CONTROL BOX COVER DECAL (CH15)	732310003
5	GASKET - DRIP TROUGH	732300006
6	THUMBSCREW M4X10	732300007
7	DRIP TROUGH	732300008

3.0 SPARES – DOORS (CH30 & CH15)



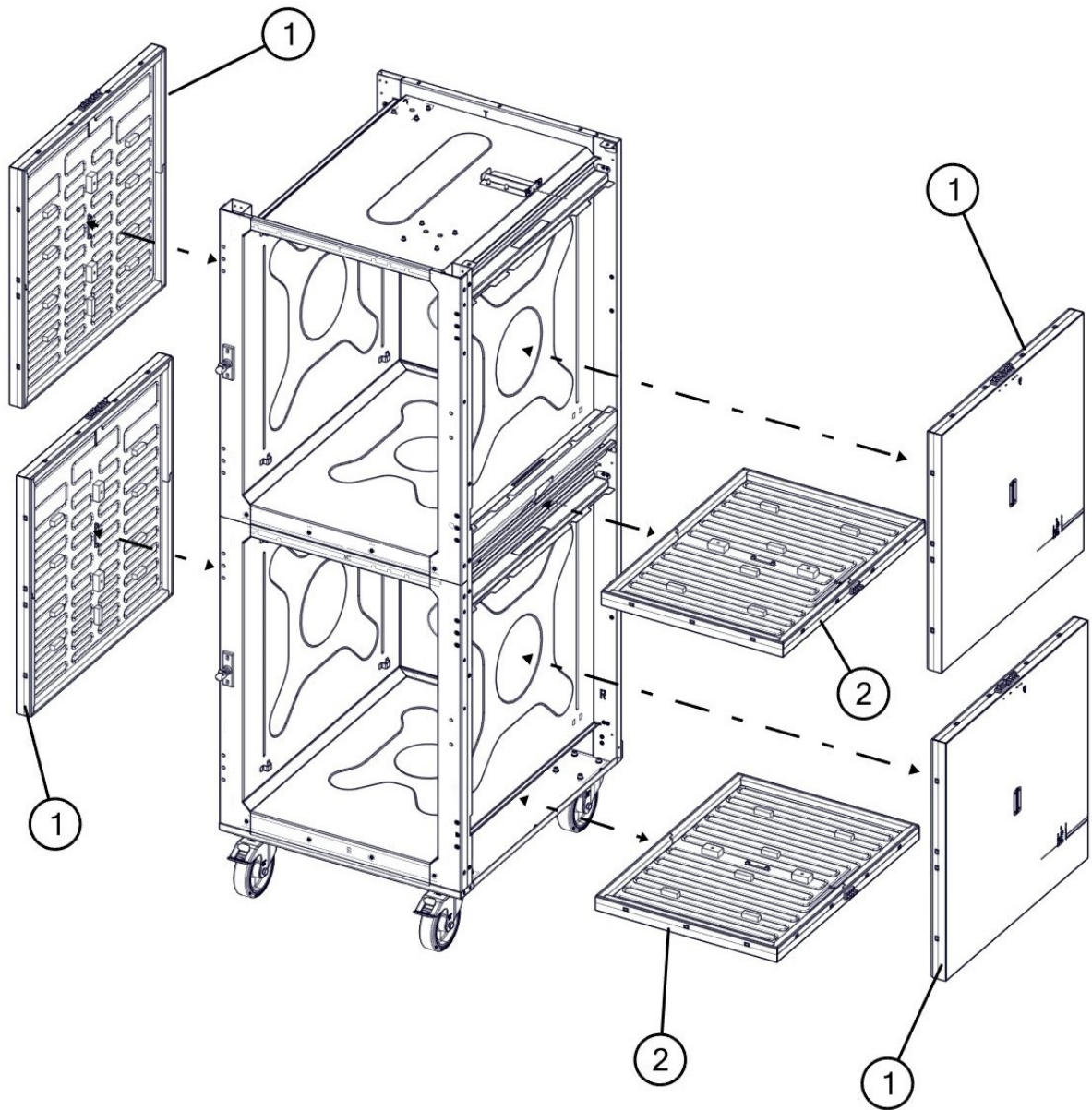
ITEM No	DESCRIPTION	SPARES No
1	CH30 DOOR ASSY (NO PROBE) C/W HANDLE	732300009
2	CH30 DOOR ASSY (PROBE) C/W HANDLE	732300010
3	DOOR HANDLE	730870011
4	DOOR SEAL	732300011
5	DOOR HINGE	732300012
6	DOOR HINGE COVER	732300013
7	POT MAGNET	735960012
8	DOOR MAGNET SPACER	732300014
9	PROBE HOLDER (PROBE VERSION ONLY)	732300015
10	DOOR PROXIMITY SWITCH	730980019

4.0 SPARES – OVEN FITMENTS (CH30 & CH15)



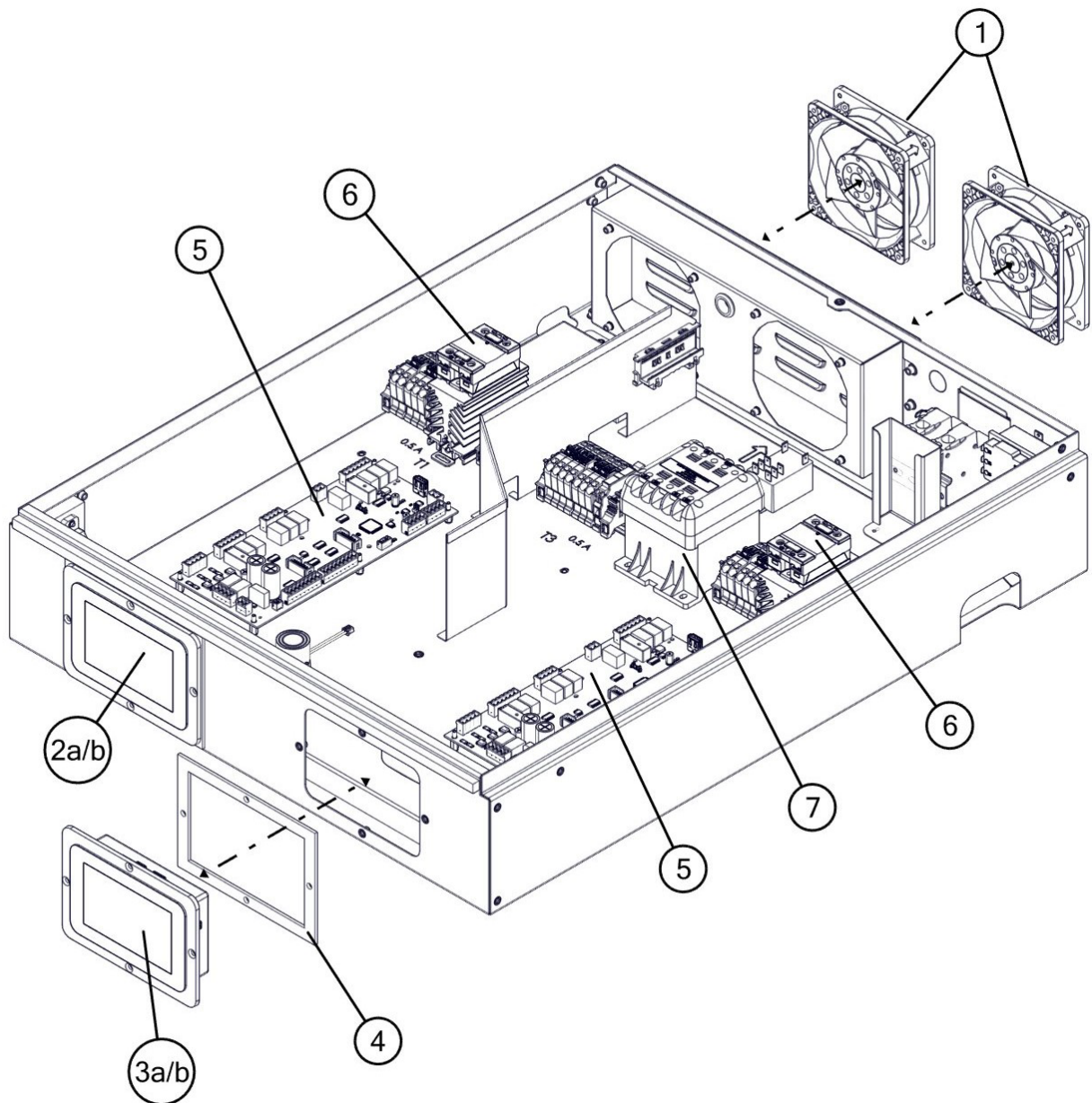
ITEM No	DESCRIPTION	SPARES No
1	SHELF HANGER - JOGGLED	732300016
2	WIRE GRID SHELF	732300017
3	OVEN DRIP TRAY	732300018

5.0 SPARES – HEATERS (CH30 & CH15)



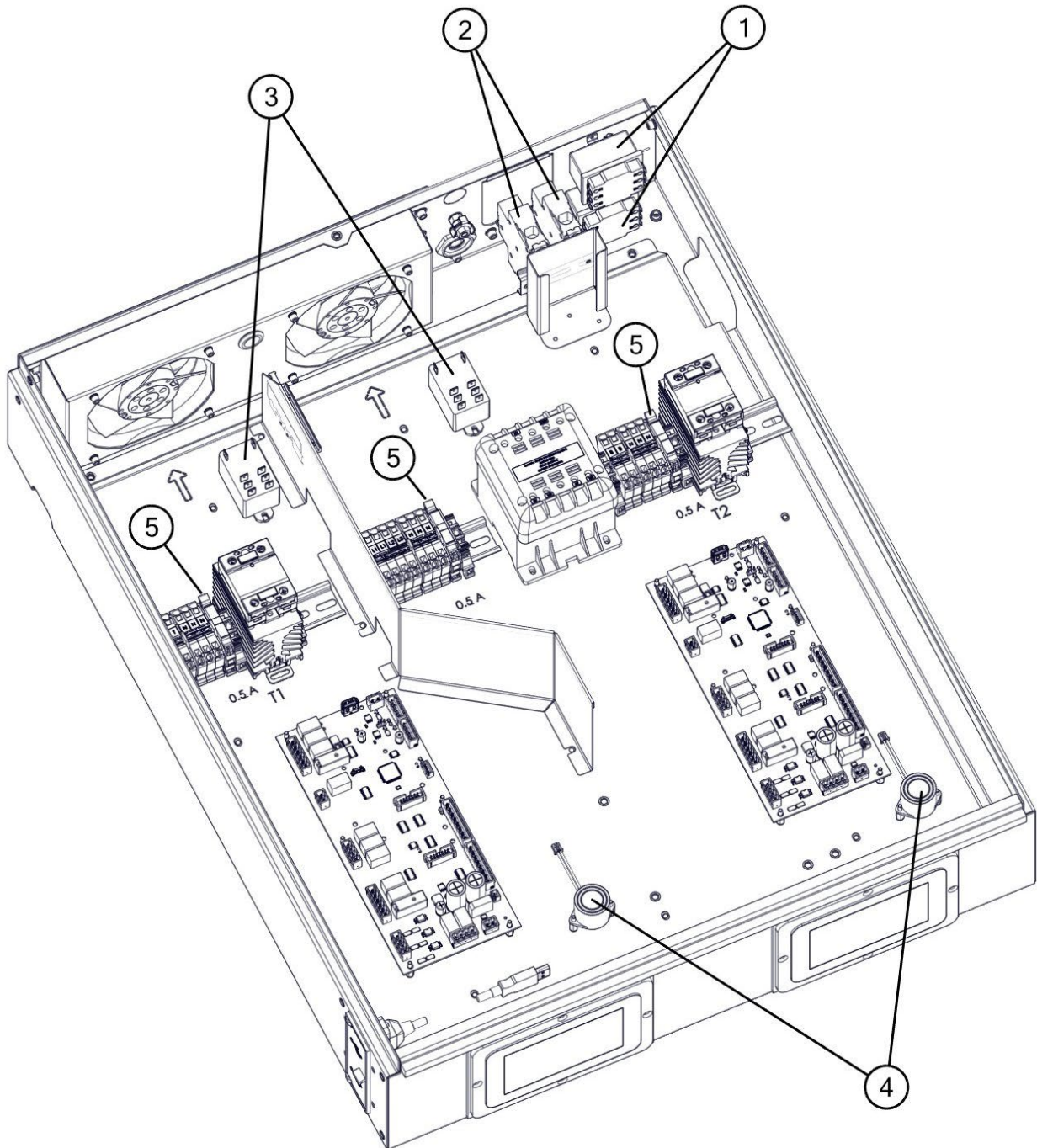
ITEM No	DESCRIPTION	SPARES No
1	SIDE HEATER	732300019
2	BASE HEATER	732300020

6.0 SPARES – CONTROLS 1 (CH30)



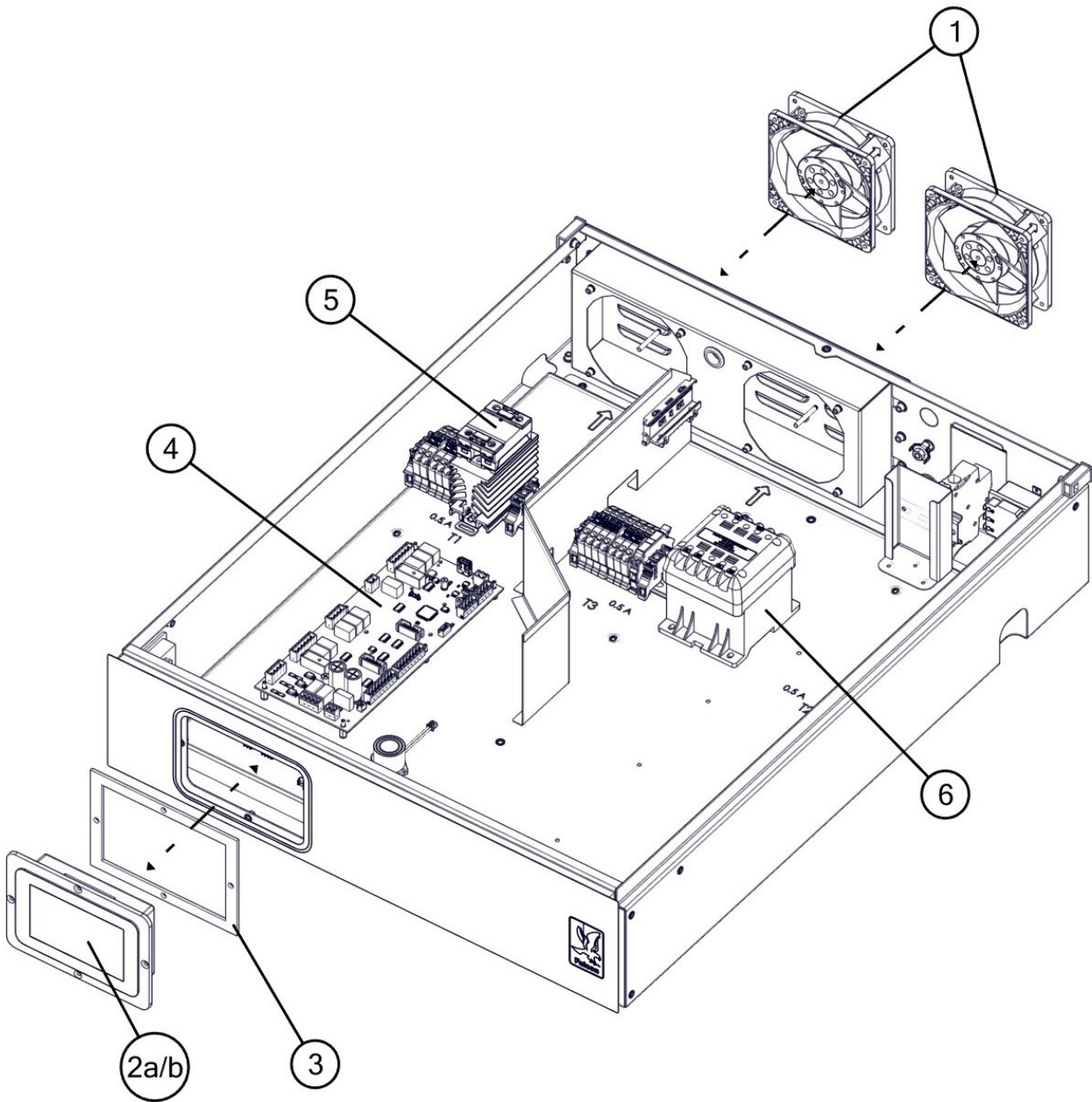
ITEM No	DESCRIPTION	SPARES No
1	COOLING FAN	735400360
2a	5" TOUCHSCREEN CH30-NO PROBE-TOP OVEN	732300030
2b	5" TOUCHSCREEN CH30-C/W PROBE-TOP OVEN	732300032
3a	5" TOUCHSCREEN CH30-NO PROBE-BOTTOM OVEN	732300031
3b	5" TOUCHSCREEN CH30-C/W PROBE-BOTTOM OVEN	732300033
4	TOUCHSCREEN GASKET	732300021
5	I/O POWER BOARD	732300022
6	SOLID STATE RELAY	732300023
7	TRANSFORMER 1PH 230V	732300024

7.0 SPARES – CONTROLS 2 (CH30)



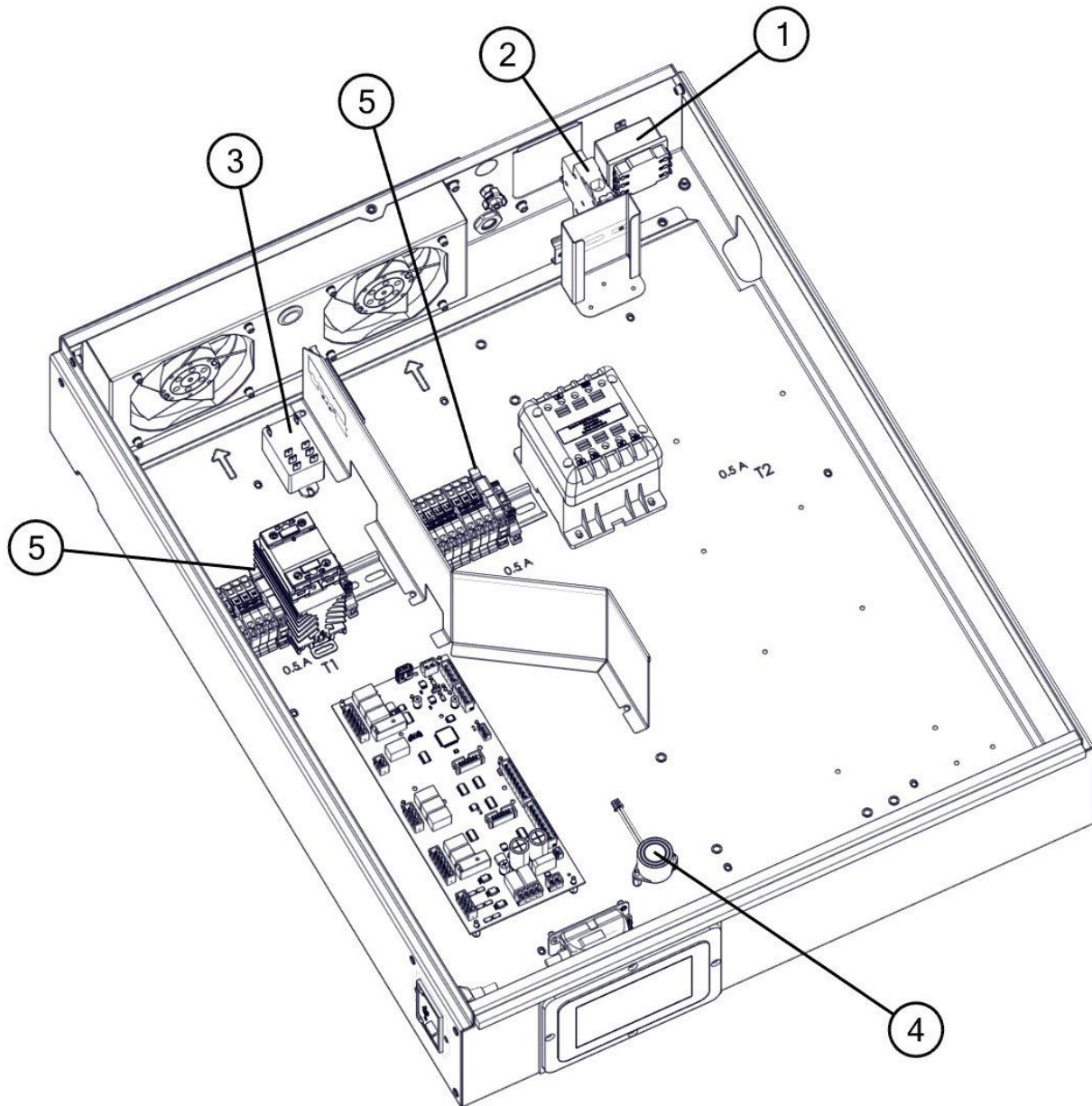
ITEM No	DESCRIPTION	SPARES No
1	OVEN SAFETY THERMOSTAT	539113830
2	MCB 1PH 16A	732300025
3	FINDER RELAY	731570004
4	BUZZER	732300026
5	0.5 A GLASS FUSE (5 x 20MM)	732300027

8.0 SPARES – CONTROLS 1 (CH15)



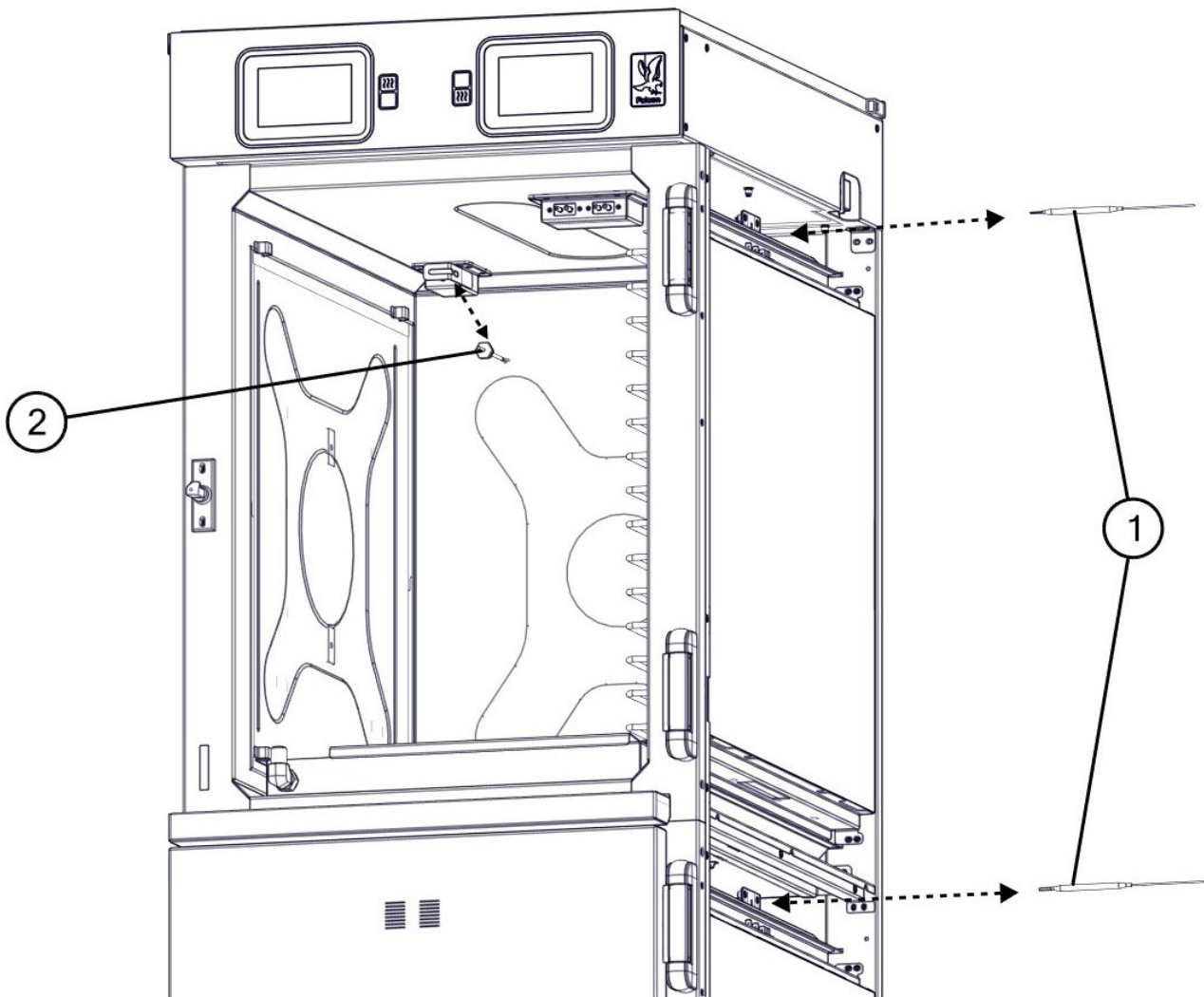
ITEM No	DESCRIPTION	SPARES No
1	COOLING FAN	735400360
2a	5" TOUCHSCREEN CH15 - NO PROBE	732300034
2b	5" TOUCHSCREEN CH15 - C/W PROBE	732300035
3	TOUCHSCREEN GASKET	732300021
4	I/O POWER BOARD	732300022
5	SOLID STATE RELAY	732300023
6	TRANSFORMER 1PH 230V	732300024

9.0 SPARES – CONTROLS 2 (CH15)



ITEM No	DESCRIPTION	SPARES No
1	OVEN SAFETY THERMOSTAT	539113830
2	MCB 1PH 16A	732300025
3	FINDER RELAY	731570004
4	BUZZER	732300026
5	0.5 A GLASS FUSE (5 x 20MM)	732300027

10.0 SPARES – CONTROLS 3 (CH30 & CH15)



ITEM No	DESCRIPTION	SPARES No
1	OVEN SAFETY THERMOSTAT	539113830
2	OVEN THERMOCOUPLE K-TYPE	732300028