

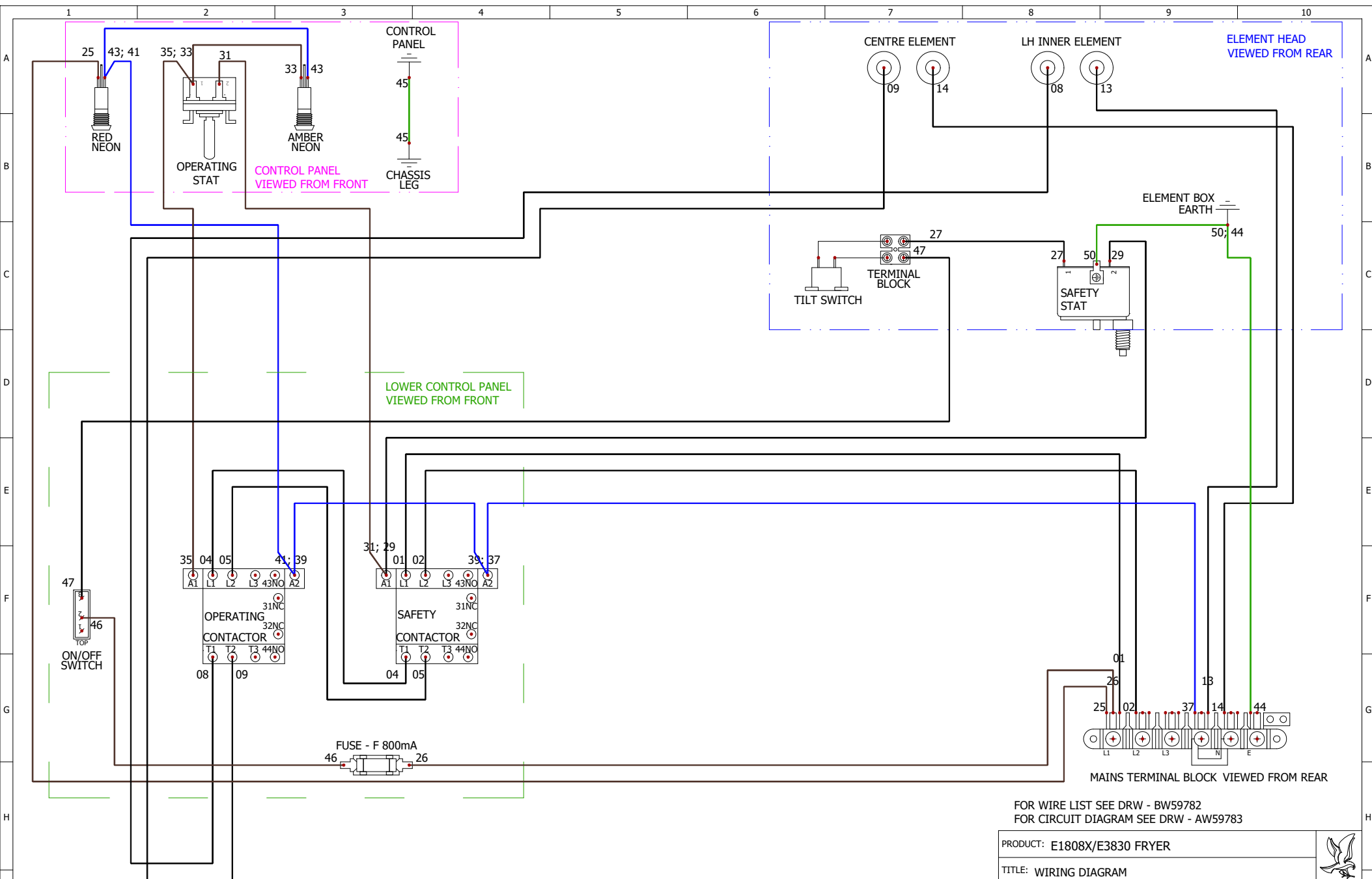


E1808X/E3830

T103003

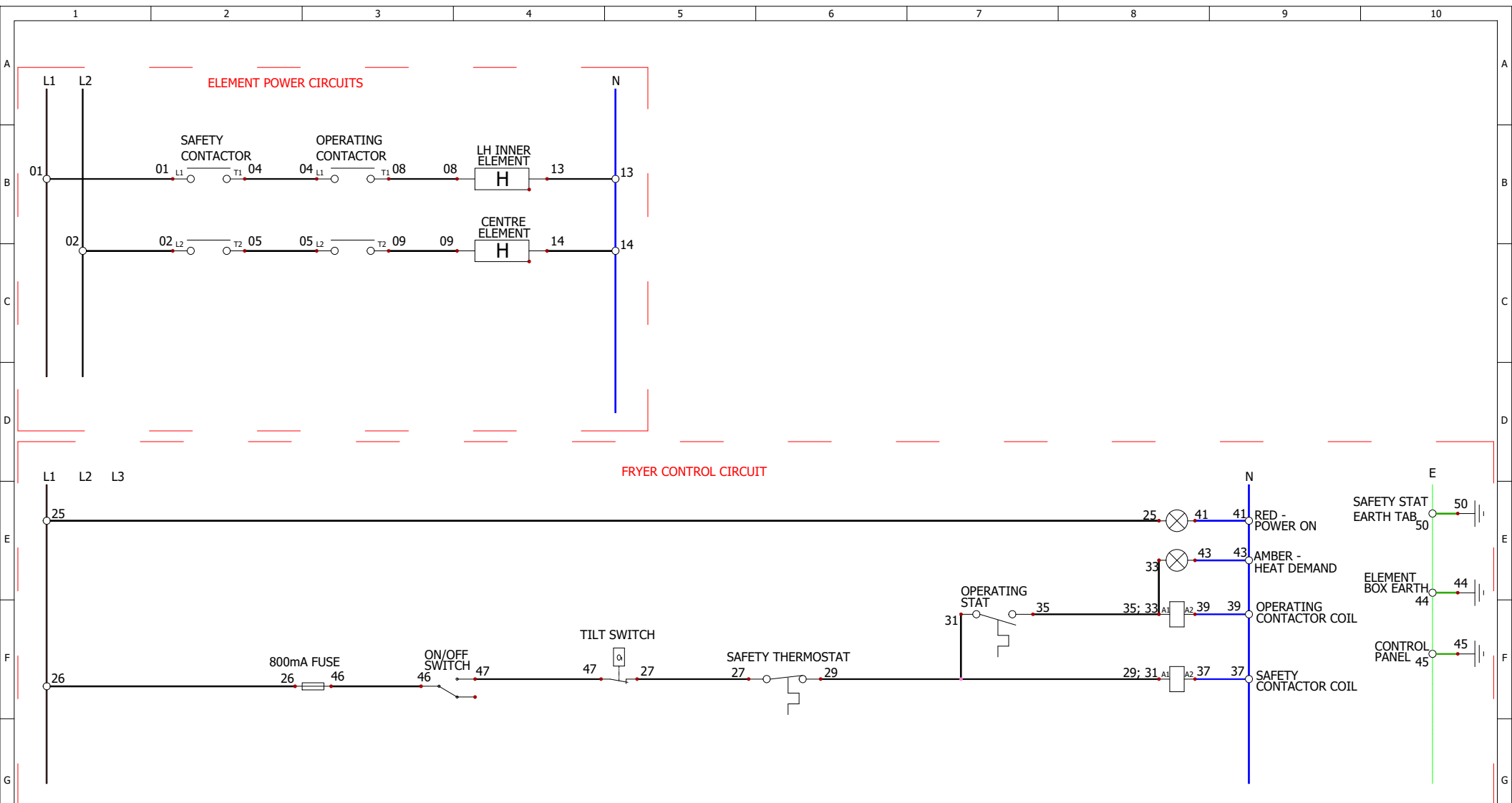
WIRING & CIRCUIT DIAGRAMS

A



FOR WIRE LIST SEE DRW - BW59782
 FOR CIRCUIT DIAGRAM SEE DRW - AW59783

| | | | |
|---|----------------|-------|--|
| PRODUCT: E1808X/E3830 FRYER | | | |
| TITLE: WIRING DIAGRAM | | | |
| DRAWN: STEVEN REID | DRAWING NUMBER | ISSUE | |
| DATE: 12/12/2025 | BW59781 | A | |
| <small>NO REPRODUCTION OR PUBLICATION OF THIS DRAWING MAY BE MADE AND NO ARTICLE MAY BE MANUFACTURED OR ASSEMBLED IN ACCORDANCE WITH THIS DRAWING WITHOUT PRIOR WRITTEN CONSENT. THIS PROHIBITION IS A TERM OF ANY CONTRACT RELATING TO THIS DRAWING. RIGHTS RESERVED UNDER THE COPYRIGHT, DESIGNS AND PATENTS ACT 1988</small> | | | |



FOR WIRING DIAGRAM SEE DRW - BW59781
 FOR WIRE LIST SEE DRW - BW59782

| | | | |
|---|----------------|-------|--|
| PRODUCT: E1808X/E3830 FRYER | | | |
| TITLE: CIRCUIT DIAGRAM | | | |
| DRAWN: STEVEN REID | DRAWING NUMBER | ISSUE | |
| DATE: 12/12/2025 | AW59783 | A | |
| <small>NO REPRODUCTION OR PUBLICATION OF THIS DRAWING MAY BE MADE AND NO ARTICLE MAY BE MANUFACTURED OR ASSEMBLED IN ACCORDANCE WITH THIS DRAWING WITHOUT PRIOR WRITTEN CONSENT. THIS PROHIBITION IS A TERM OF ANY CONTRACT RELATING TO THIS DRAWING. RIGHTS RESERVED UNDER THE COPYRIGHT, DESIGNS AND PATENTS ACT 1988</small> | | | |