

DOMINATOR **PLUS**

E3096 6 Zone Glass Top Boiling Top

Key features

- 6 x 230mm square heat zones
 - excellent heat transfer for fast heat up times
 - suitable for multi-pot cooking
- 6mm thick strengthened glass hob
 - Sturdy enough to withstand robust pan-work
 - Easy to keep clean as spills simply wipe clean
 - No raised hotplates so less chance of spills
- Visual display on glass alerts user when surface is hot
 - Minimises risk of burns

Similar Models

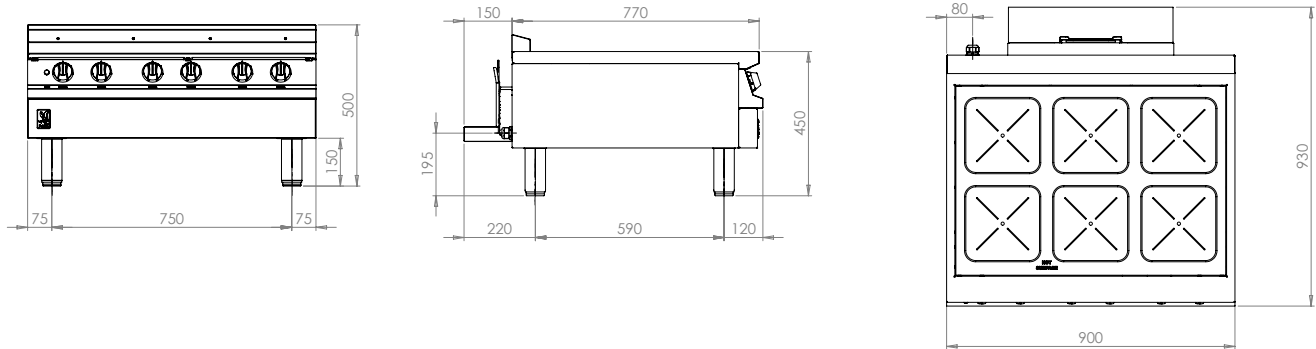
- E3064 four zone glass top boiling top
- E3164 four zone glass top fan-assisted oven range
- E3196 six zone glass top fan-assisted oven range
- E1603i six zone induction boiling top

Accessories

- Fixed stand
- Mobile stand
- Fixed installation kit



Glass Top Boiling Top



Measurements *in mm*

Specification *details*

Electrical rating (kW)	13.8
Electrical supply voltage	400V 3N~
Minimum electrical supply 400V 3N~ (A)	32
Electrical current split (A)	L1: 20 ; L2: 20; L3: 20
Zone rating (kW)	2.3 x 6
Zone size (w x h - mm)	230 x 230
Weight (kg)	53
Packed weight (kg)	70
Packed dimensions (w x d x h - mm)	1000 x 1000 x 650

Installation notes

Adequate ventilation must be provided to supply sufficient fresh air and to allow easy removal of any such products that may present a risk to health. Please consult current legislation for details that relate to specific locations.

Install unit on a level, fireproof surface in a well-lit position. If floor is made of a combustible material, local fire requirements must be checked to ensure compliance.

A clearance of 150mm should be observed between appliance and any combustible wall.

