

F900 SERIES



G9341, G9341F Fryers

Spares Information



G9341F Model

G9341-G9341F-Spares-1017

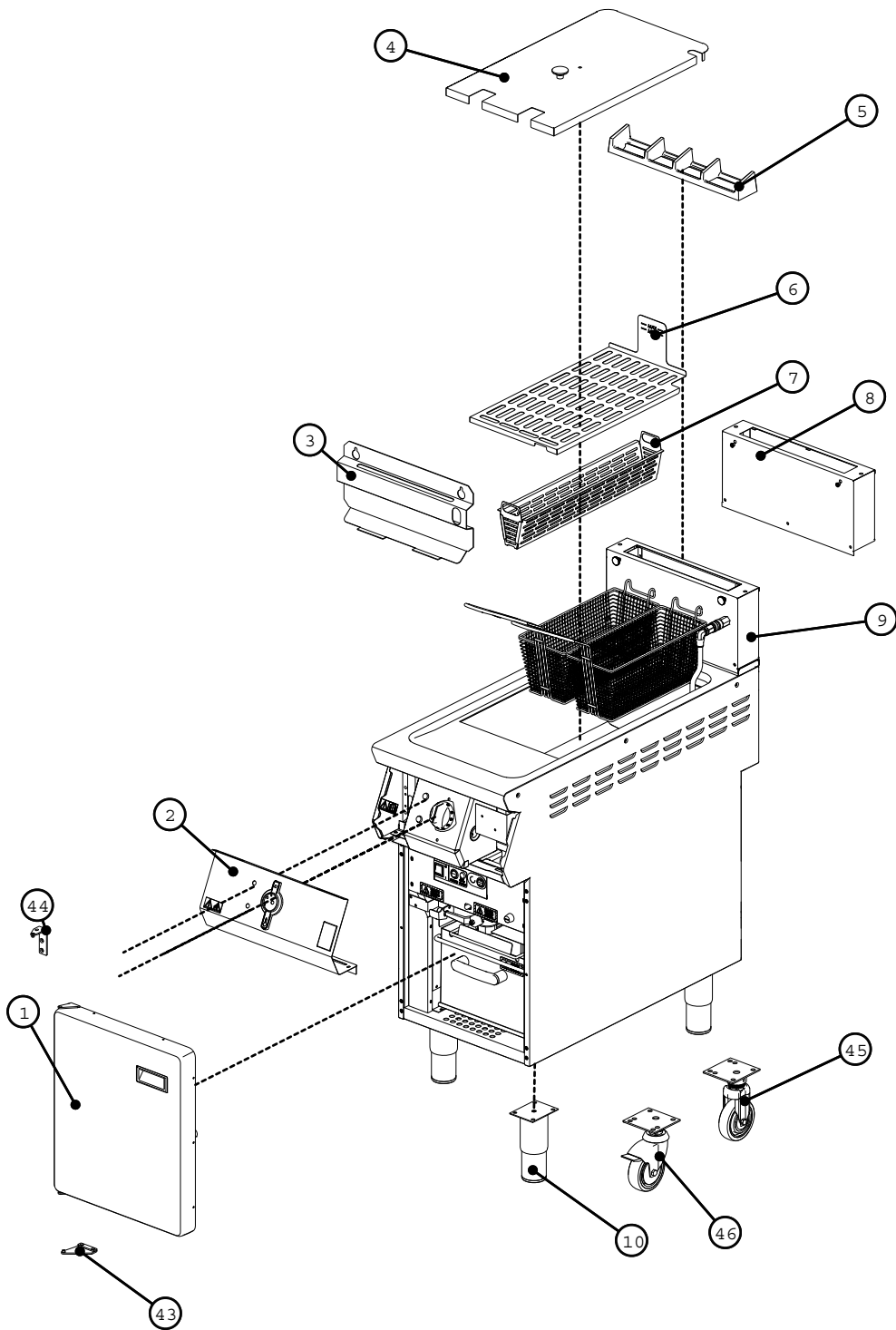
Falcon Foodservice Equipment

Wallace View, Hillfoots Road, Stirling FK9 5PY t: +44 (0) 1786 455 200 f: 08000 275 595
info@falconfoodservice.com www.falconfoodservice.com

F900 SERIES

G9341, G9341F Fryers

Fitments and Main Body





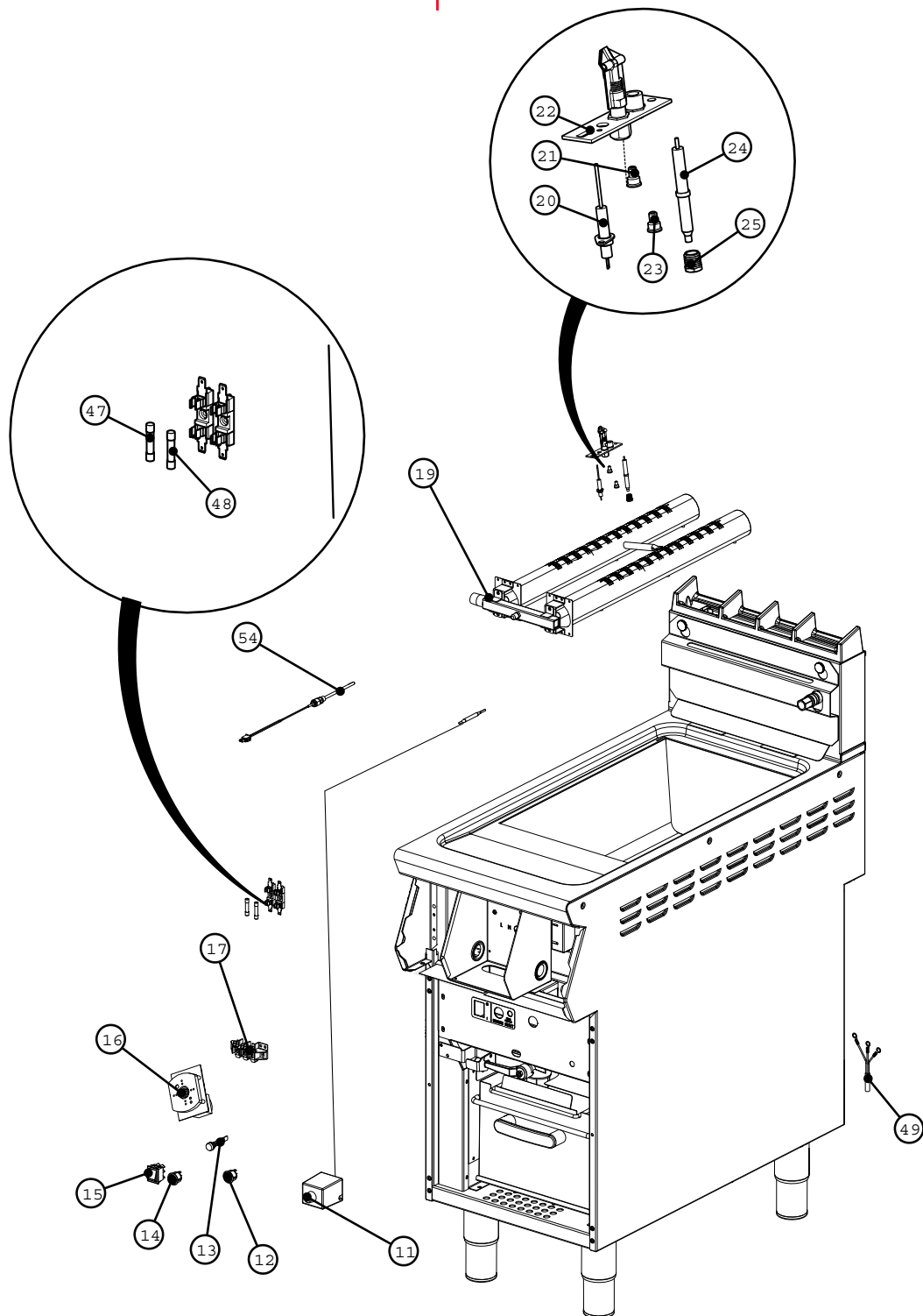
Fitments and Main Body

Item	Description	Spares No.	Part No.
1.	Door assembly c/w hinges	533810000	900171
2.	Control panel	533500000	690077
3.	Basket hanging rail	533500011	T703070
4.	Dust cover	533500002	690078
5.	Flue capper	533400019	RT704001
6.	Fish plate	536300013	T823017
7.	Crumb catcher	535600008	T423893
8.	Flue front (G9341)	533500010	T703060
9.	Flue front (G9341F)	533500009	T703066
10.	Adjustable leg (stainless steel)	535480067	R6285
43.	Bottom hinge assembly	533810002	690082
45.	Fixed castor (set of 2)	530964340	600284
46.	Swivel castor (set of 2)	535400222	600286

F900 SERIES

G9341, G9341F Fryers

Controls and Burner





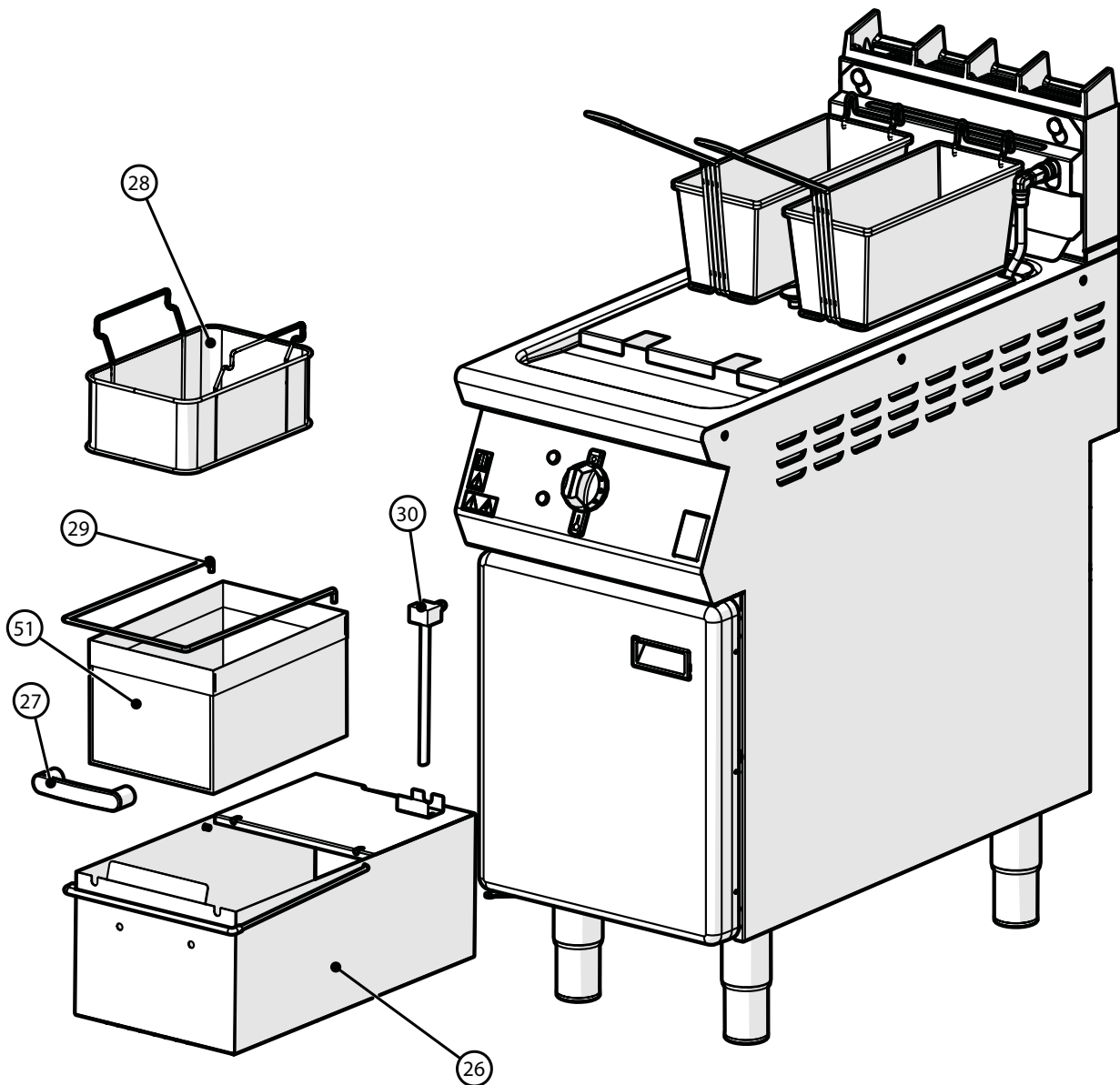
Controls and Burner

Item	Description	Spares No.	Part No.
11.	Safety thermostat	537350032	R5831
12.	Power switch	535500038	R4937
13.	Circuit pilot light (amber)	730962040	RV100
14.	Momentary switch	535770068	R5155
15.	Rocker switch	536380008	R5530
16.	Controller c/w fixings	731350002	R5517
17.	Mains terminal (3 way)	732910270	R7513
19.	Burner assembly	533500003	690079
20.	Pilot sensor	535270020	R6534
22.	Pilot assembly c/w HT leads and pipe	536300048	850083
23.	Pilot injector (natural gas)	535520019	R3204
24.	Pilot electrode	535270019	R6495
25.	Electrode nut	531600100	RH36/1
47.	Fuse 2A	734243006	R2292
48.	Fuse 5A	536430009	R5524
49.	Mains cable	536300019	750031
54.	Operating thermostat probe assembly	536300034	750079

F900 SERIES

G9341, G9341F Fryers

Oil Container





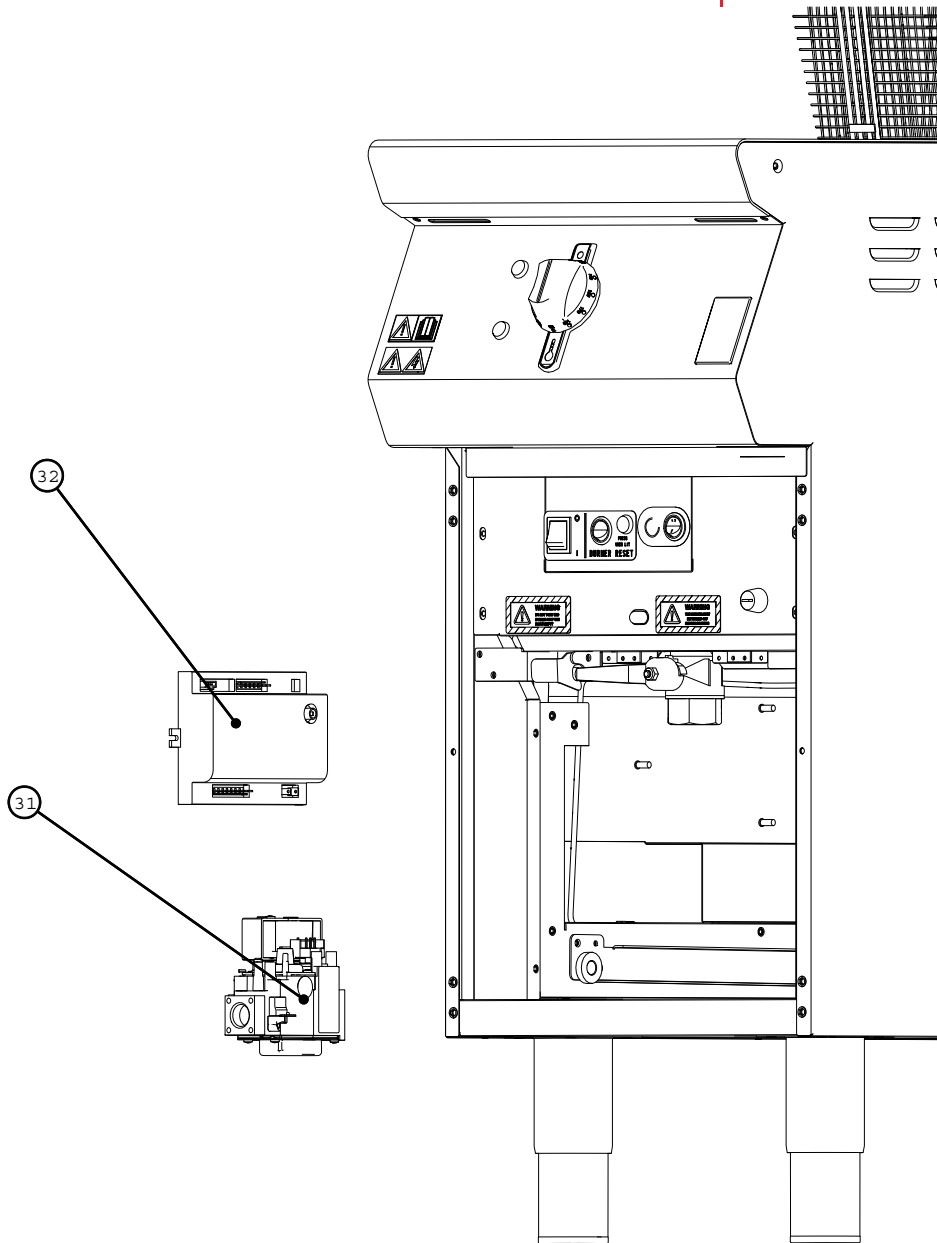
Oil Container

Item	Description	Spares No.	Part No.
26.	Oil bucket assembly	533500007	690085
27.	Handle for oil container	733500008	690173
28.	Basket filter	535770032	R6638
29.	Filter support (large)	737101143	R5848
30.	Pick up pipe	536300053	R6470
51.	Fine mesh filter	737101159	R5847A

F900 SERIES

G9341, G9341F Fryers

Igniter Box and Gas Regulator





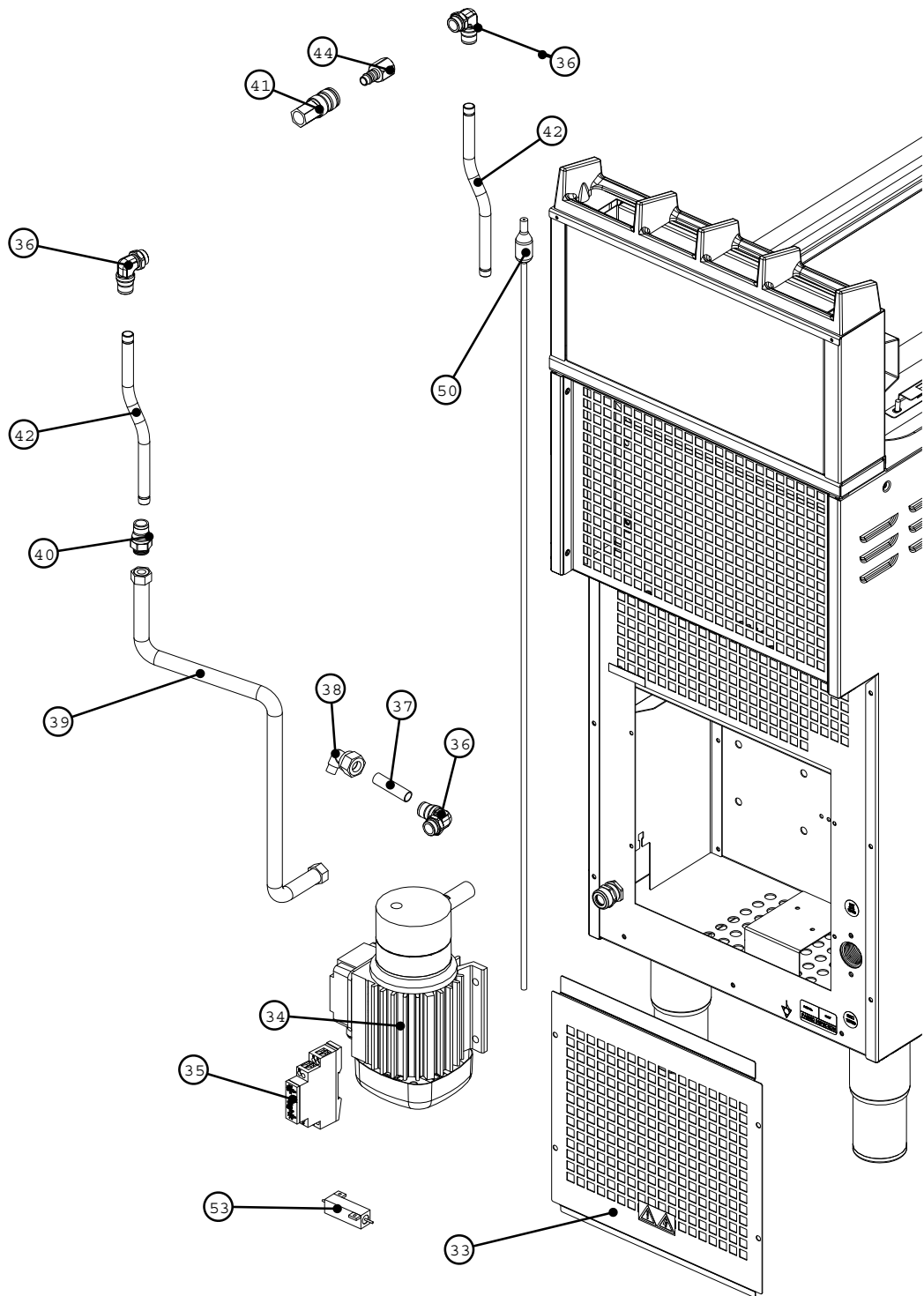
Igniter Box and Gas Regulator

Item	Description	Spares No.	Part No.
31.	Gas valve	535270011	RV10
32.	Ignition box	536300024	RV11

F900 SERIES

G9341, G9341F Fryers

Pump and Fittings





Pump and Fittings

Item	Description	Spares No.	Part No.
33.	Rear access panel	533500012	T703051
34.	Oil pump c/w nozzle	536300054	R6468
35.	Pump timer	735770010	R5413
36.	Push in elbow (3/8" male)	533500013	R6274
37.	Rigid oil pipe (stainless steel)	535770110	R6271
38.	Pump elbow (1/2" to 12mm)	536300055	R6472
39.	Flexible oil pipe (stainless steel)	737214087	R6269
40.	Push-in fitting (3/8" male)	535770084	R6272
41.	Fast hose connection for pump	737401235	R6273
42.	Oil return pipe	533500004	690081
50.	Drain cleaning tool	536300017	T828003
53.	Ballast resistor	533500016	880400